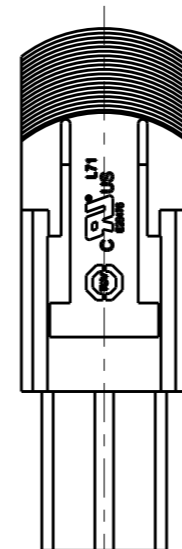
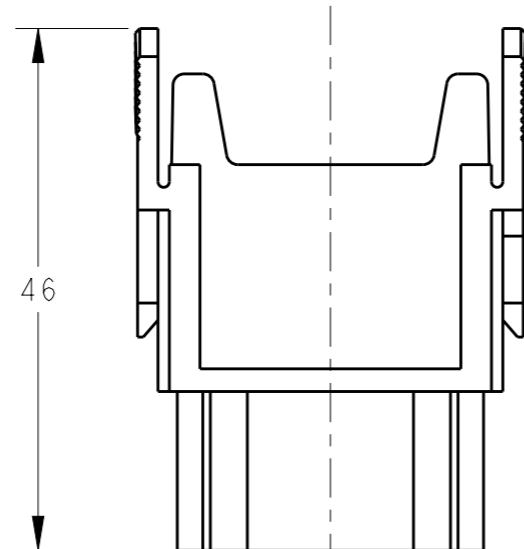
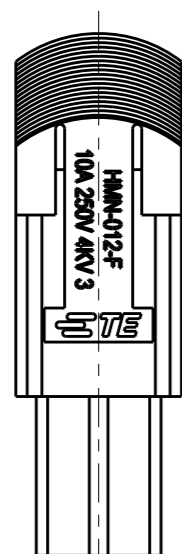
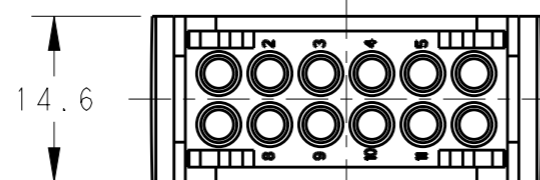
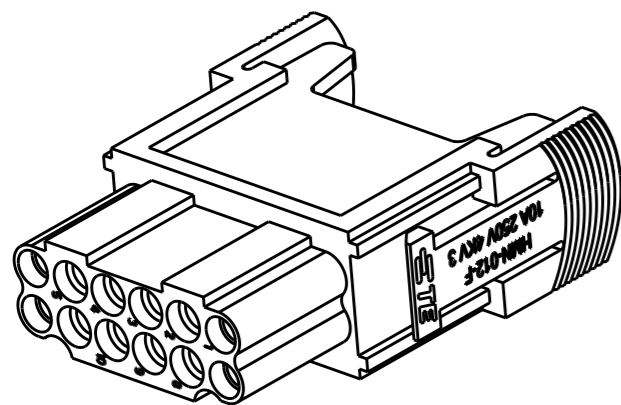


THIS DRAWING IS UNPUBLISHED. RELEASED FOR PUBLICATION 20
 © COPYRIGHT 20 BY - ALL RIGHTS RESERVED.

REVISIONS

P	LTR	DESCRIPTION	DATE	DWN	APVD
	A	INITIAL	14APR2015	DW	CW
	B	ECR-15-018270	09DEC2015	DW	CW
	B1	ECR-16-006849	13MAY2016	RL	CW



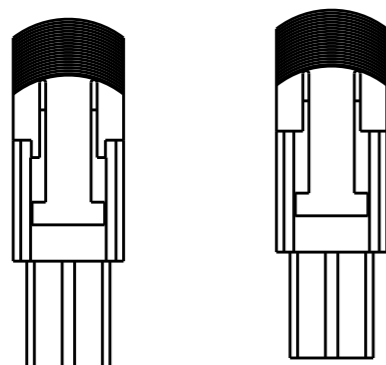
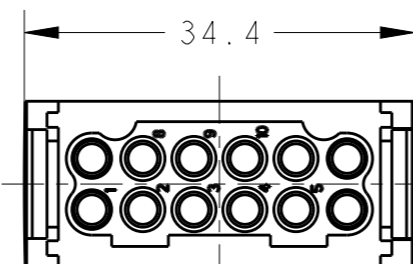
NOTES:

- TECHNICAL CHARACTERISTICS:
 INSULATION MATERIAL: PC
 RATED VOLTAGE: 250V
 RATED CURRENT: 10A
 INSULATION RESISTANCE: >=400MΩ
 RATED IMPULSE VOLTAGE: 4KV
 POLLUTION DEGREE: 3
 FLAMMABILITY: UL94V-0
 MATING CYCLES: 500 CYCLES
 OPERATION TEMPERATURE: -40~+125°C
 WIRE RANGE: 0.14~2.5 mm² (26~14 AWG)
 CONTACT TYPE: CRIMP CONTACT
- CONTACT NEED TO BE ORDERED SEPARATELY.
 (ORDER No. REFER TO DRAWING: T20200X20XX000)

注释:

- 技术参数:
 绝缘材料: PC
 额定电压: 250V
 额定电流: 10A
 绝缘电阻: >=400MΩ
 额定脉冲电压: 4KV
 污染等级: 3
 阻燃等级: UL94V-0
 插拔次数: 500次
 工作温度: -40~+125°C
 接线范围: 0.14~2.5 mm² (26~14 AWG)
 接线类型: 冷压接
- 端子需要单独订购,
 (订货号参考图面: T20200X20XX000)

T2111122201-000 SHOWN,
 带 LOGO, 产品型号, 认证标示



T2111122201-001 SHOWN, ALL DIMENSIONS ARE
 SAME AS T2111122201-000, EXCEPT WITHOUT LOGO,
 TYPE DESCRIPTION, TUV AND CUL MARK
 不带 LOGO, 产品型号和认证标示

T2111122201-001	HMN-012-F WITHOUT LOGO HMN-012 模块母插 不带 LOGO, 产品型号和认证标示
T2111122201-000	HMN-012-F WITH LOGO HMN-012 模块母插
PART NUMBER 料号	PART DESCRIPTION 描述

DIMENSIONS:		TOLERANCES UNLESS OTHERWISE SPECIFIED:		DWN 14APR2015 David Wang		TE Connectivity	
mm		0 PLC	±-	CHK 14APR2015 Chris Wang	NAME	HMN-012-F	
		1 PLC	±-	APVD 14APR2015 Xiang Xu	PRODUCT SPEC	108-137121	
		2 PLC	±-	APPLICATION SPEC	114-137121		RESTRICTED TO
		3 PLC	±-	WEIGHT	-		-
		4 PLC	±-	Customer Drawing	SIZE	CAGE CODE	DRAWING NO
		ANGLES	±-		A3	00779	©-T2111122201000
MATERIAL		FINISH			SCALE	SHEET	REV
-		-			1:1	1 OF 1	B1