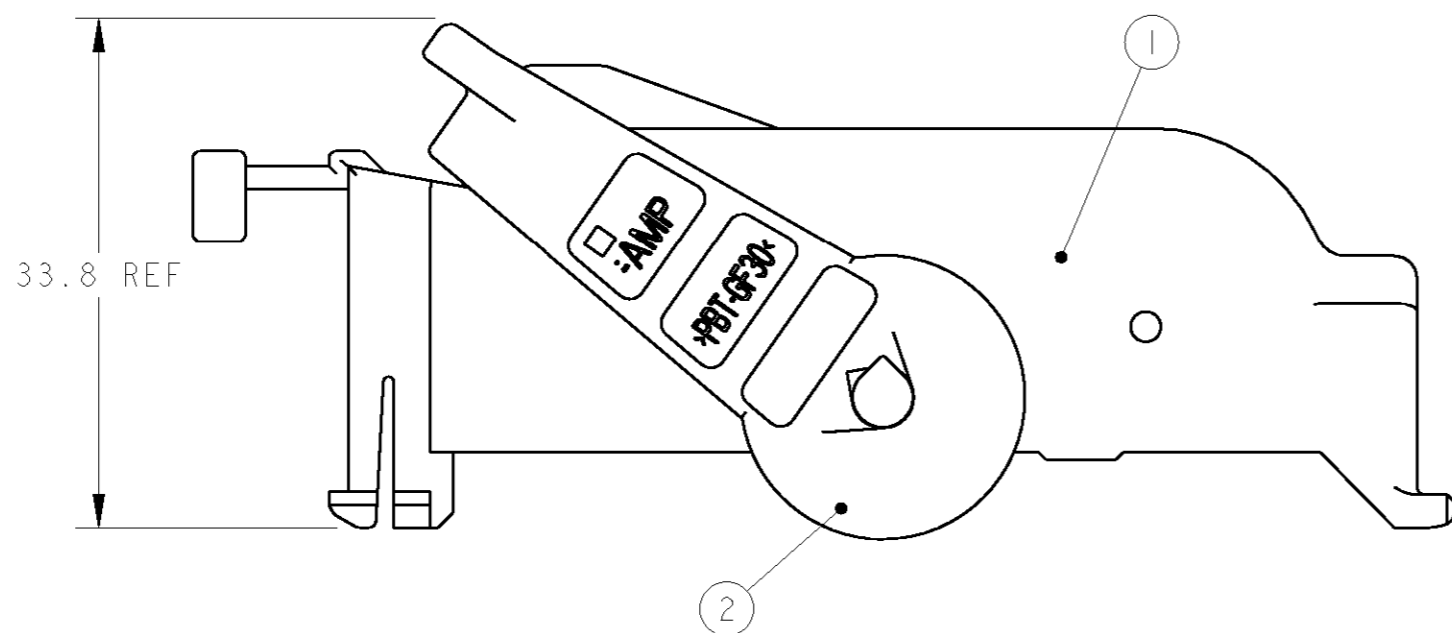
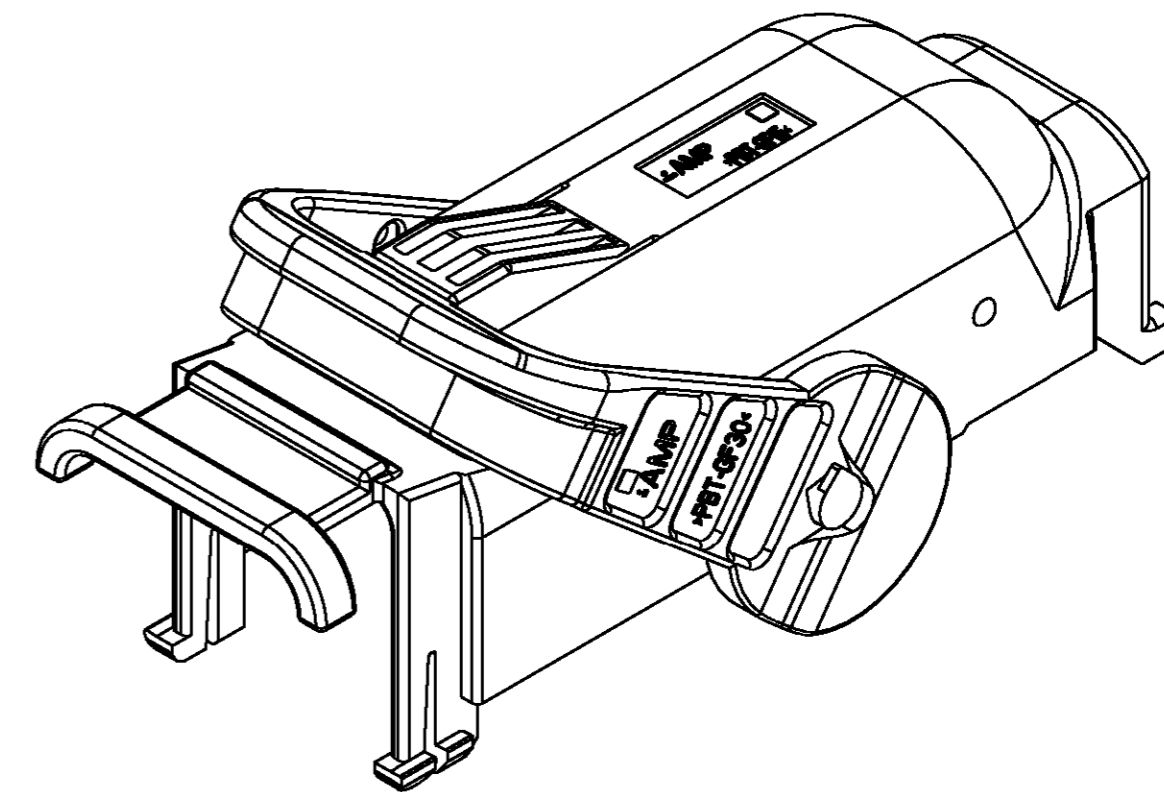
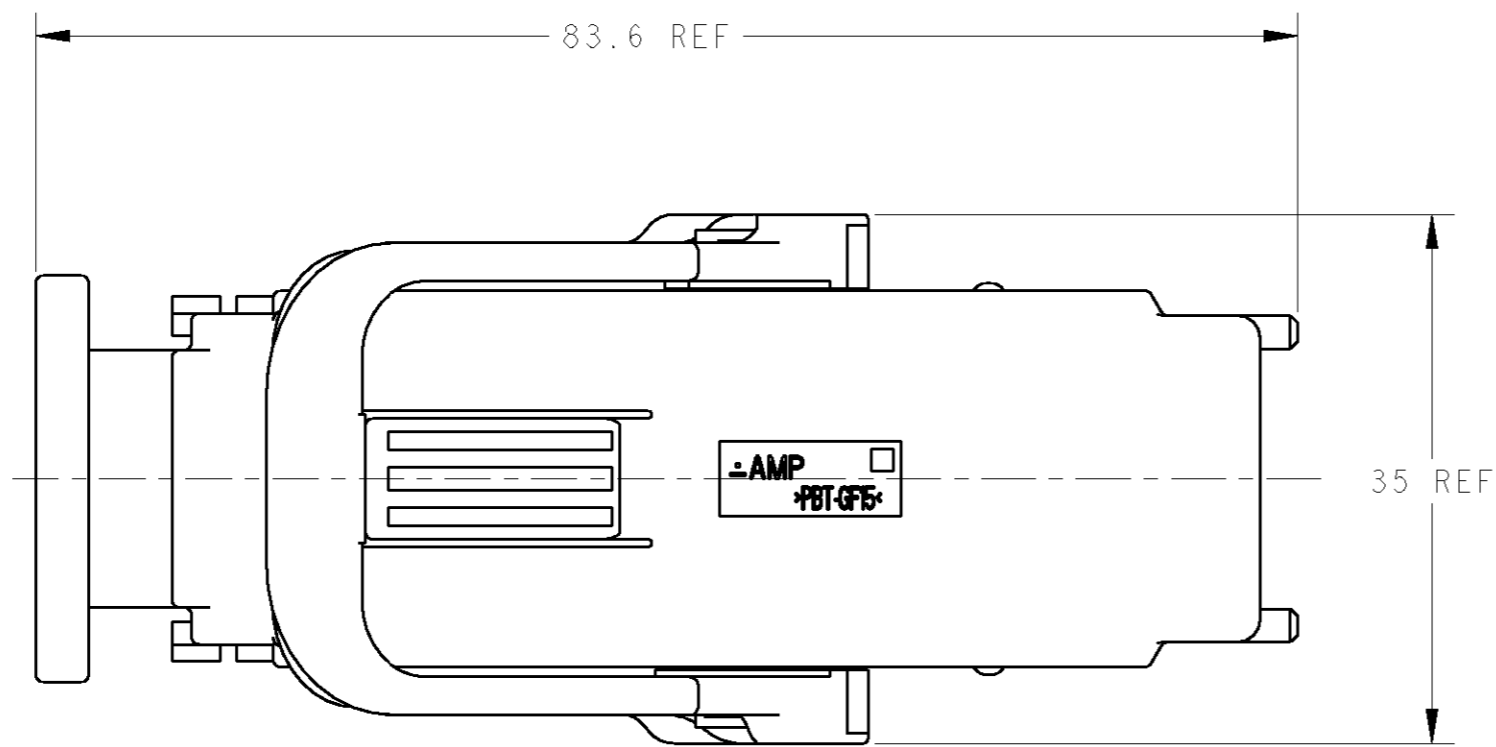


THIS DRAWING IS UNPUBLISHED. RELEASED FOR PUBLICATION 20
 © COPYRIGHT 20 BY TYCO ELECTRONICS CORPORATION. ALL RIGHTS RESERVED.

| REVISONS | | | | | |
|----------|------|-------------|--------------|-----|------|
| REV | DATE | DESCRIPTION | ECN | DWN | APVD |
| 0 | | RELEASED | FJ00-2386-01 | Y.K | N.S |



1. PART NUMBER OF PLUG HOUSING ASSEMBLY TO BE APPLIED ; P/N 1473244-1
 2. INSTRUCTION SHEET NO ; 411-78008

1. 適用プラグハウジングアセンブリ型番は、P/N 1473244-1
 2. 取扱説明書 NO ; 411-78008

| | | | | |
|----|-----------|---------------|--------------|----|
| 1 | 1473249-1 | LEVER | BLACK | 2 |
| 1 | 1473248-1 | HARNESS COVER | BLACK | 1 |
| -1 | PART NO | PART NAME | FINISH/COLOR | NO |

| | | | | |
|--|---|--|--|---|
| THIS DRAWING IS A CONTROLLED DOCUMENT FOR TYCO ELECTRONICS CORPORATION IT IS SUBJECT TO CHANGE AND THE CONTROLLING ENGINEERING ORGANIZATION SHOULD BE CONTACTED FOR THE LATEST REVISION. | | DWN Y. KAWAHARA CHK N. SAI APVD K. SHIMIZU | 100CT2001 100CT2001 100CT2001 | AMP Tyco Electronics AMP K.K. Kawasaki, Japan |
| DIMENSIONS: 単位: ㎜ ㎜ | TOLERANCES UNLESS OTHERWISE SPECIFIED: 一般公差=±0.3 0-PLC ± 1-PLC ±0.5 2-PLC ±0.13 3-PLC ±0.13 4-PLC ±0.001 ANGLES ±3°00' FINISH 仕上 | PRODUCT SPEC 108-5793 APPLICATION SPEC 114-18021, 114-18050 | NAME LEVER ASSY TYPE-A (STEER THE WIRE OUTSIDE) SEALD 8IPOS. PLUG HSG MQS CLEAN BODY/JPT | SIZE A2 |
| MATERIAL PBT | FINISH 仕上 SEE TABLE | WEIGHT 14.9g | CAGE CODE 00779 | DRAWING NO 1473247 |
| CUSTOMER DRAWING | | | SCALE 2.1 | SHEET 1 OF 1 |
| | | | REV 0 | RESTRICTED TO |