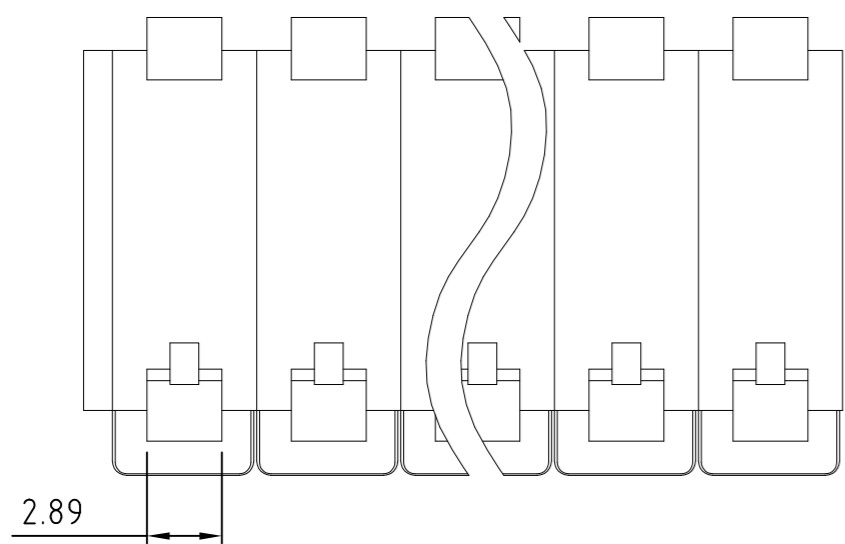
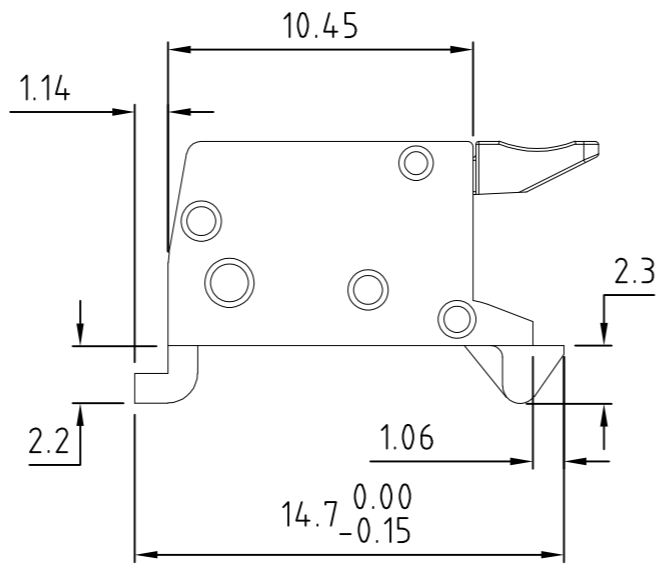
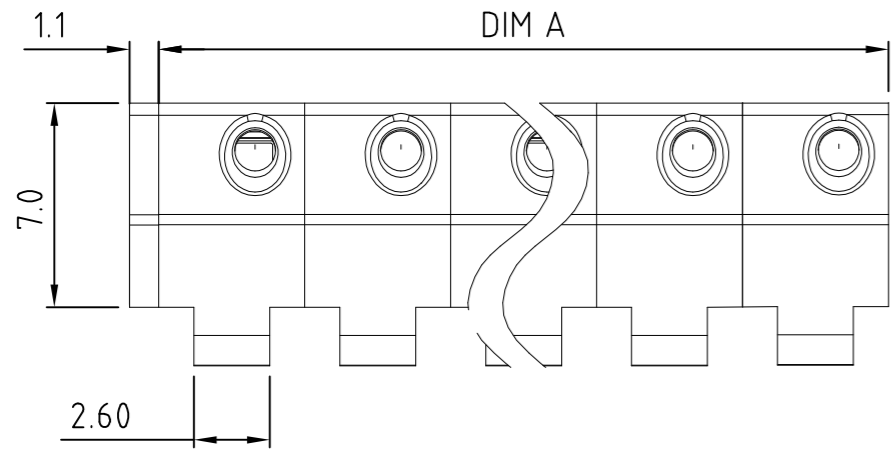
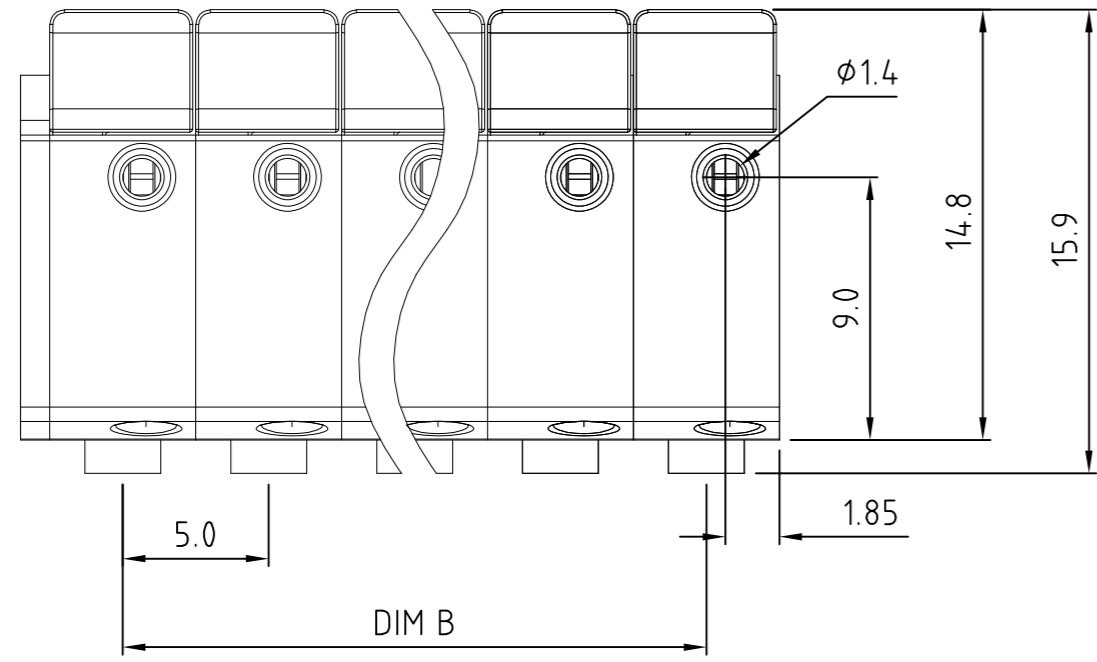


THIS DRAWING IS UNPUBLISHED. RELEASED FOR PUBLICATION
 © COPYRIGHT - By - ALL RIGHTS RESERVED.

REVISIONS				
P	LTR	DESCRIPTION	DATE	APVD
A2		REVISED PER ECR-16-010574	26JUL2016	RS DD



SPECIFICATIONS:

MATERIALS

CONTACT BLOCK: BRASS, TIN PLATED
 WIRE RETENTION SPRING: STAINLESS STEEL
 BODY: POLYAMIDE PA66 (UL94-V0)

ELECTRICAL

VOLTAGE RATING: 300 VAC
 CURRENT RATING: 7 A
 WIRE RANGE: 16 - 22 AWG (SOLID)
 18 - 22 AWG (STRANDED)

MECHANICAL

OPERATING TEMPERATURE: -40°C TO +115°C

1 ALL MATERIALS AND FINISHES SHALL COMPLY WITH EU DIRECTIVE 2002/95/EC OF 27JAN2003 (ROHS).

2 MATES WITH PIN STRIPS, 2213865.

55.0	61.0	12	1-2213864-2
45.0	51.0	10	1-2213864-0
40.0	36.0	9	2213864-9
35.0	41.0	8	2213864-8
30.0	36.0	7	2213864-7
25.0	31.0	6	2213864-6
20.0	26.0	5	2213864-5
15.0	21.0	4	2213864-4
10.0	16.0	3	2213864-3
5.0	11.0	2	2213864-2
DIM B	DIM A	POSITIONS	TE PART NUMBER

THIS DRAWING IS A CONTROLLED DOCUMENT.		DWN RAVI.S 03MAY2016		
DIMENSIONS: mm		CHK R. HILL 03MAY2016		
TOLERANCES UNLESS OTHERWISE SPECIFIED:		APVD R. HILL 03MAY2016	NAME 5.00MM POKE-IN TERMINAL BLOCK	
0 PLC ± - 1 PLC ± 0.3 2 PLC ± 0.01 3 PLC ± - 4 PLC ± - ANGLES ± - FINISH		PRODUCT SPEC	RESTRICTED TO	
MATERIAL		APPLICATION SPEC	SIZE A2	CAGE CODE 00779
		WEIGHT	DRAWING NO C=2213864	SCALE 1:1
		CUSTOMER DRAWING	SHEET 1 OF 1	REV A2

2213864