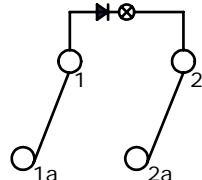
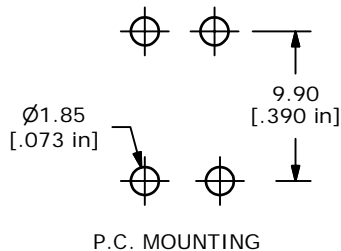
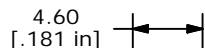


RECOMMENDED PANEL MOUNTING

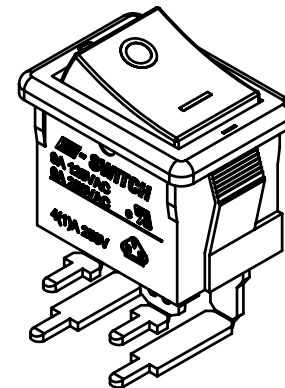
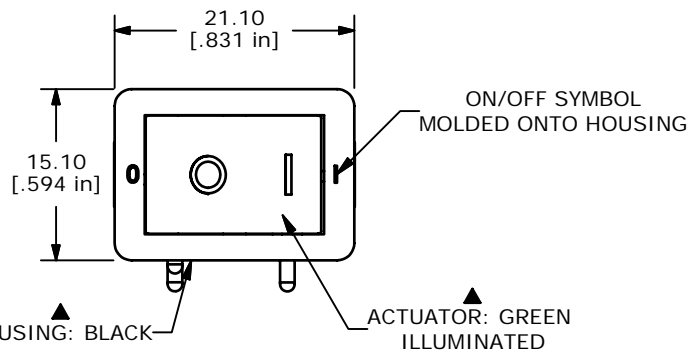
PANEL THICKNESS	X
0.75-1.25	19.2-19.3
1.25-2.00	19.3-19.4
2.00-3.00	19.5-19.6



CIRCUIT: DPST



P.C. MOUNTING

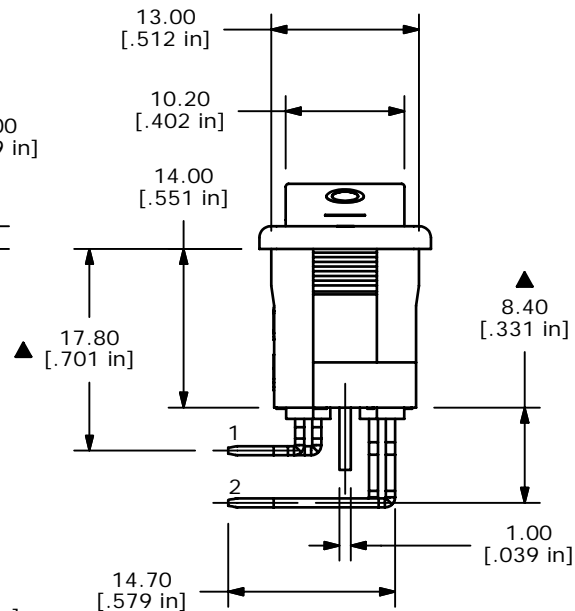
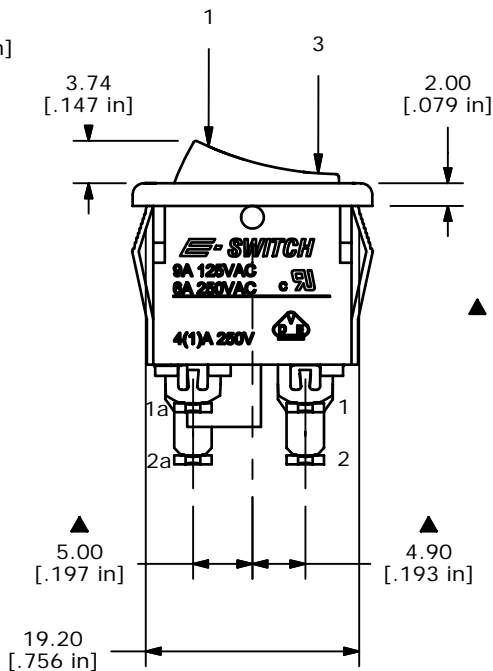


ISOMETRIC

SWITCH FUNCTION		
POS. 1	POS. 2	POS. 3
ON	NONE	OFF
1-1a, 2-2a	N/A	OPEN

NOTES:

- ALL DIMENSIONS IN MM [INCH]
- GENERAL TOLERANCE: X.X=±0.4  
X.XX=±0.25
- RATING:  
6A @250VAC; 9A @125VAC (UL, CSA, VDE)
- LAMP VOLTAGE: 125VAC
- MATERIAL:  
CONTACT SURFACE: COIN SILVER, SILVER PLATE  
TERMINAL: COPPER ALLOY W/SILVER PLATE.
- CONTACT RESISTANCE: 20 MILLI-OHMS TYP. INITIAL
- INSULATION RESISTANCE: 1000 MEGA-OHMS
- DIELECTRIC STRENGTH:  
>1500V RMS min. @SEA LEVEL
- MECHANICAL LIFE: 30,000 CYCLES
- ELECTRICAL LIFE: 10,000 CYCLES
- ▲ DENOTES CRITICAL PARAMETER.
- 2002/95/EC (ROHS) COMPLIANT



REV	PCR NO	DESCRIPTION	DATE	BY
B	17051	ADDED TERM. NUMBERS	3/1/07	TN
A	16946	RELEASED FOR PRODUCTION	2/1/07	TN

THE INFORMATION CONTAINED IN THIS DOCUMENT IS PROPRIETARY TO E-SWITCH AND IS NOT TO BE COPIED OR TRANSFERRED

TITLE R1973BBLKGILGR1				
SCALE	DATE	DR	DWG	REV
1.5:1	3/1/2007	TN	M400096	B