

PNP Series Sealed Pushbutton Switch



A
Pushbutton

Features/Benefits

- IP68 sealed to endure harsh environments
- 1,000,000 life cycle
- Longer solder leads for ease of wire installation
- Multiple housing styles
- Up to 5A resistive load
- Wirelead options available
- RoHS compliant

Typical Applications

- Control Grips
- Off-Road Panels
- Heavy Equipment
- Industrial Instruments
- Lifts
- Conveyor Controls



Specifications

FUNCTION: SPST, SPDT Double Break (Form Z) Momentary
CONTACT ARRANGEMENT: N.O. and N.C.
MOUNTING TYPE: Threaded front mount
TORQUE SPEC FOR THREADED BODY: Do not exceed 10 in-lbs (1.35 N-m)

DIELECTRIC STRENGTH: 1000 V AC for 1 min.
INSULATION RESISTANCE: 1 G Ω @ 500 VDC
INITIAL CONTACT RESISTANCE 50 m Ω max (without wire leads)
BOUNCE TIME: <5 ms

Mechanical

OPERATING LIFE: 1,000,000 cycles
TOTAL TRAVEL: 2 mm max.
OPERATING POINT 0.9 \pm 0.25 mm
OVER TRAVEL: 0.25 mm min.
OPERATING FORCE: 8N \pm 1.5N
VIBRATION: 10-500 Hz 10g Max
SHOCK: 50g 11ms sawtooth wave

Materials

HOUSING: PBT/PC
BASE: PBT
CAP: PBT
ACTUATOR: PBT
INTERNAL SEAL: Silicone rubber
TERMINALS: Copper with silver nickel inlay, silver plating
MOVABLE CONTACT: Copper alloy, gold over silver plating
TERMINAL SEAL: Epoxy

Electrical

CONTACT RATING:
Option "Q" Silver
5A/32 VDC resistive (25,000 cycles)
3A/32 VDC resistive (25,000 cycles)
Option "G" Gold over Silver
10mA/5 VDC resistive (1,000,000 cycles)

Operating Environment

OPERATING TEMPERATURE: -40°C to +85°C
ESD PROTECTION: 15KV min.

Process Environment

SEALING: IP68

NOTE: Specifications and materials listed above are for switches with standard options. For information on specific and custom switches, please contact Customer Service.

Build-A-Switch

To order, simply select desired option from each category and place in the appropriate box.



Designation
PNP PNP Series

Operating Force
8 8 Newtons

Actuator Style
S Standard
E Extended (D housing style only)

Actuator Color *
2 Black (STD)
3 Red
5 Yellow

Housing Style
T Standard threaded mount
D Dome bezel

Housing Color
2 Black (STD)

Terminal Seal
E Epoxy
All models are epoxy sealed

Contact Material
Q Silver (STD)
G Gold over silver

Termination
O2 PC Pin (G contact material only)
O3 Solder Lug (STD)
W2 2 x 12" 22 AWG UL1569 wire (overmolded)
W3 3 x 12" 22 AWG UL1569 wire (overmolded)
W4 4 x 12" 22 AWG UL1569 wire (overmolded)

Circuit
C SPDT - Double Break
W SPST NC - Double Break
Y SPST NO - Double Break

* Additional colors available, please contact Customer Service



Dimensions are shown: mm (inches)
Specifications and dimensions subject to change

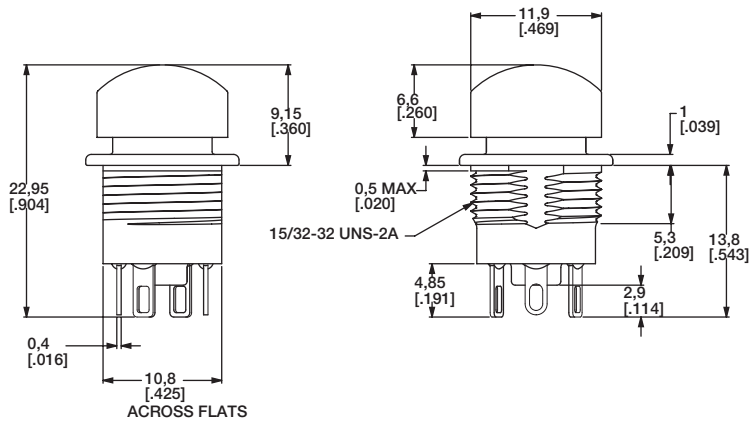




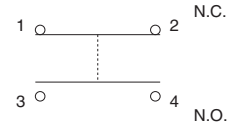
PNP Series Sealed Pushbutton Switch

Pushbutton
A

STANDARD VIEW



ELECTRICAL SCHEMATIC



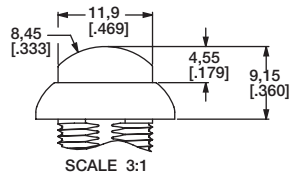
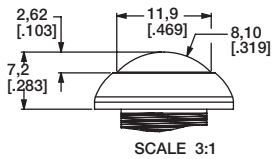
OPERATING FORCE

OPTION CODE	OPERATING FORCE
8	8 N

ACTUATOR STYLE

S STANDARD

E EXTENDED (D HOUSING STYLE ONLY)



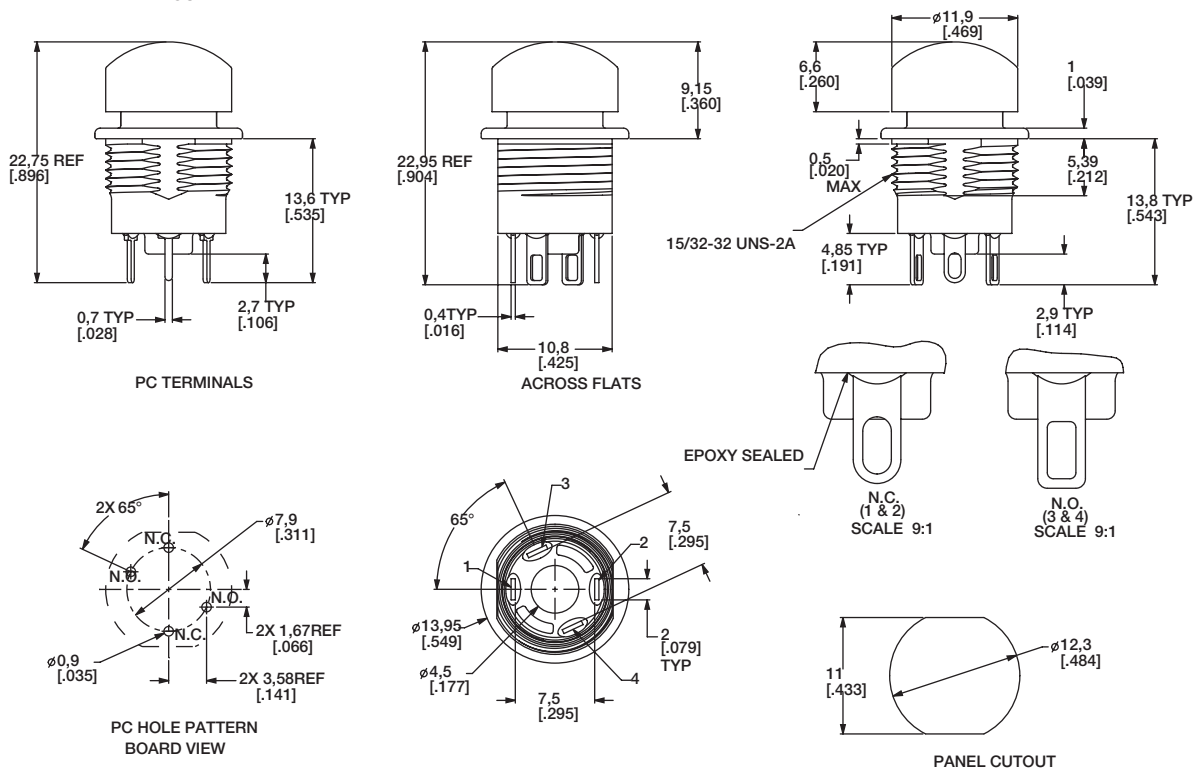
ACTUATOR COLOR

OPTION CODE	ACTUATOR COLOR
2	Black
3	Red
5	Yellow

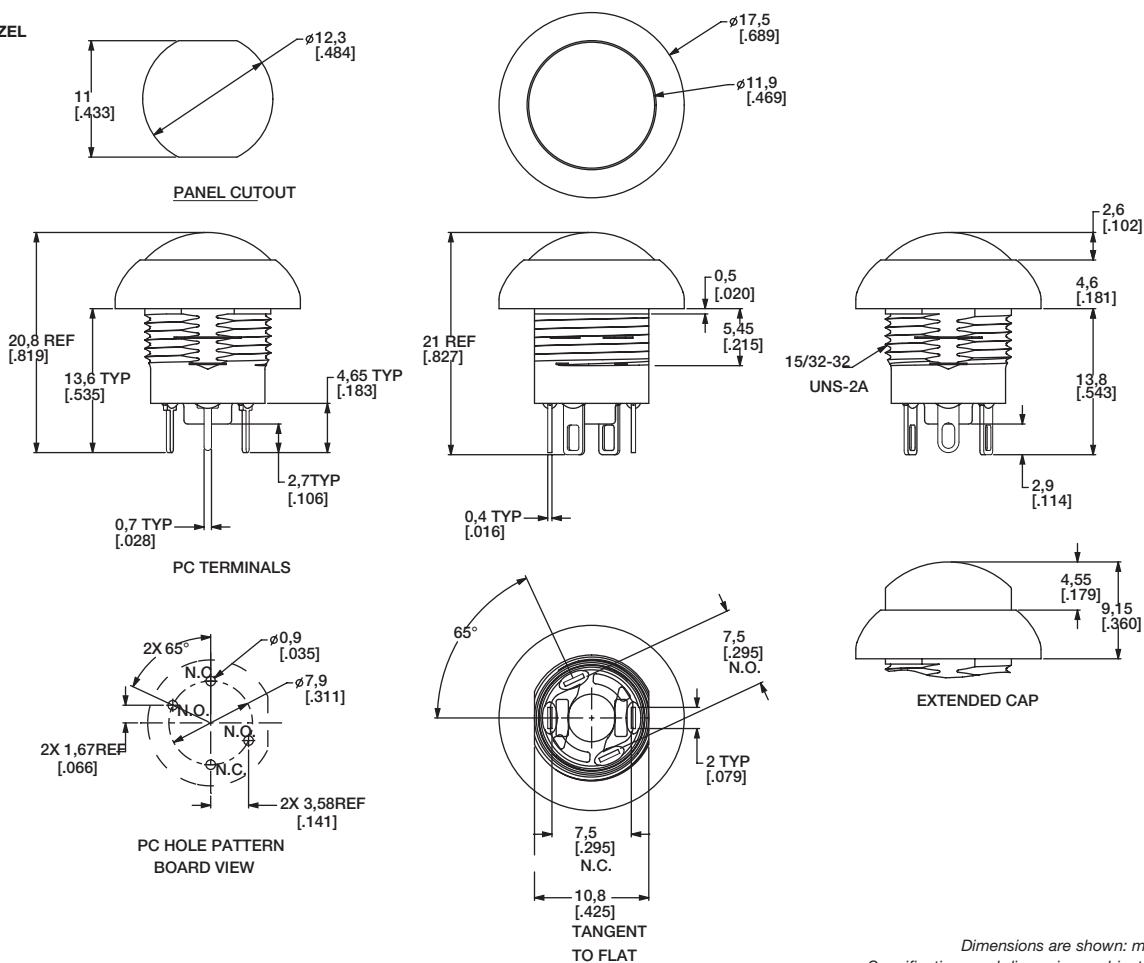


HOUSING STYLE

T STANDARD THREADED MOUNT



D DOME BEZEL





PNP Series Sealed Pushbutton Switch

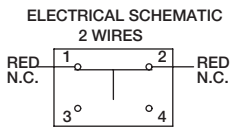
Pushbutton
A

HOUSING COLOR

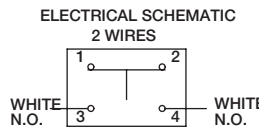
OPTION CODE	COLOR
2	Black (STD)

CIRCUIT

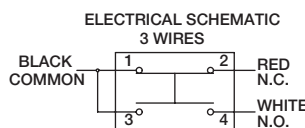
W SPST NC - Double Break



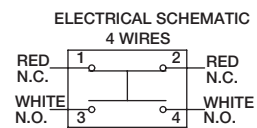
Y SPST NO - Double Break



C SPDT - Double Break

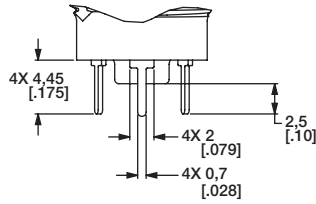


C SPDT - Double Break

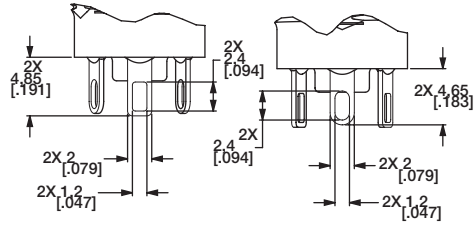


TERMINATION

02 PC PIN



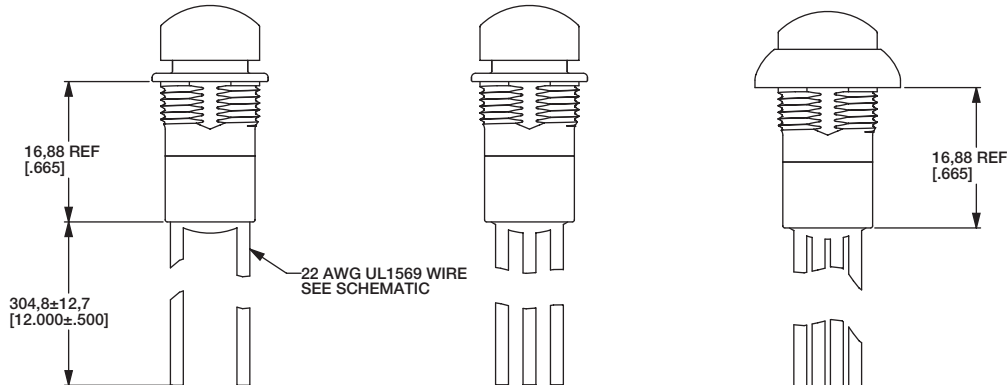
03 SOLDER LUG (STD)



W2 2 x 12" 22 AWG UL1569 wire (overmolded)

W3 3 x 12" 22 AWG UL1569 wire (overmolded)

W4 4 x 12" 22 AWG UL1569 wire (overmolded)



CONTACT MATERIAL

OPTION CODE	CONTACT MATERIAL
Q	Silver (STD)
G	Gold over silver

TERMINAL SEAL

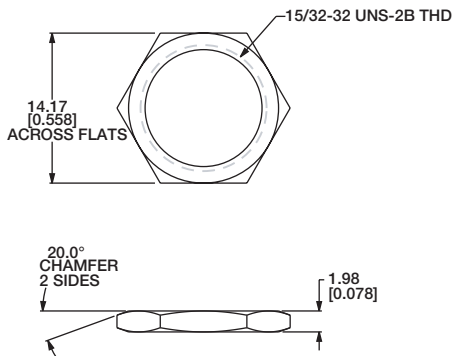
E EPOXY

All models are epoxy sealed

HARDWARE

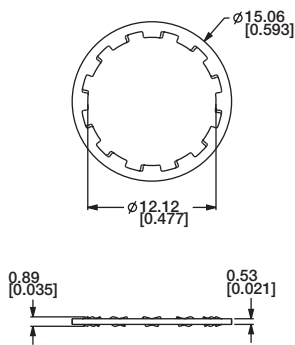
HEX NUT

707100201 Nickel-plated



LOCKWASHER

700302202



PANEL GASKET

851D02000

