



15 Watt Fixed Pin Qualcomm® Quick Charge™ 2.0



Features

- Limited Power Source (LPS)
- Class B EMI
- Short Circuit Protection
- DOE Level VI, CoC V5 Tier 2

Applications

- Smartphones
- Tablets
- Personal Communication Devices

Safety Approvals

- uL/cUL
- CE
- CB

Mechanical Characteristics

- Length: 45mm (1.77in)
- Width: 45mm (1.77in)
- Height: 27mm (1.06in)
- Weight: 53.5g (1.89oz)

Output Specifications

Model	Prong Style	Case Color	Output Power	Output Voltage	Max Load	Ripple ⁽¹⁾ P-P (max.)
PSA15A-308Q	US	Black	15W	5V/9V/12V	1.67A@9V 1.25A@12V	180mV
PSA15A-308QW	US	White	15W	5V/9V/12V	1.67A@9V 1.25A@12V	180mV
PSA15E-308Q	EU	Black	15W	5V/9V/12V	1.67A@9V 1.25A@12V	180mV
PSA15E-308QW	EU	White	15W	5V/9V/12V	1.67A@9V 1.25A@12V	180mV
PSA15K-308Q	UK	Black	15W	5V/9V/12V	1.67A@9V 1.25A@12V	180mV
PSA15K-308QW	UK	White	15W	5V/9V/12V	1.67A@9V 1.25A@12V	180mV

Notes: (1) Measured by using a 12 inch twisted pair terminated with a 10uF & 0.1uF ceramic in parallel. Oscilloscope is set to 20MHz.

Phihong is not responsible for any error, and reserves the right to make changes without notice. Please visit our website at www.phihong.com for the most up-to-date specifications and contact information.

Input:**AC Input Voltage Rating**

100 to 240V AC

AC Input Voltage Range

90 to 264V AC

AC Input Frequency

47 to 63Hz

Input Current

0.4A(RMS) Max.

Leakage Current

20uA Max.

Inrush Current

60A Max. @25°C (Cold start)

Input Power Saving

<75mW @115VAC/230VAC

Output:**Efficiency**

US DOE Level VI

CoC V5 Tier 2

Environmental:**Temperature**

Operation -5°C to +45°C

Non-operation -40°C to +85°C

Humidity 90% RH max

Emissions

Complies with FCC Class B

Complies with EN55032 Class B

Immunity

EN61000-4-2

EN61000-4-5

Hold-up Time

>10mS at max load, 115Vac/60Hz

Output Current Protection

Output current shall not exceed 2A

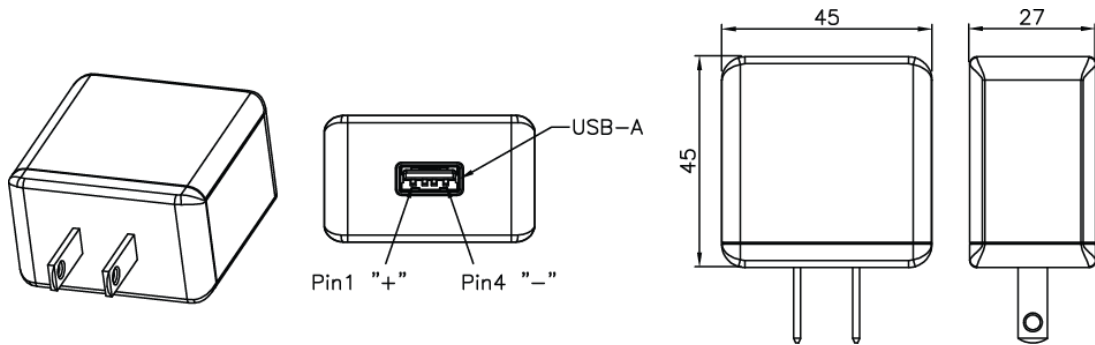
Short-Circuit Protection

Output can be shorted permanently without damage

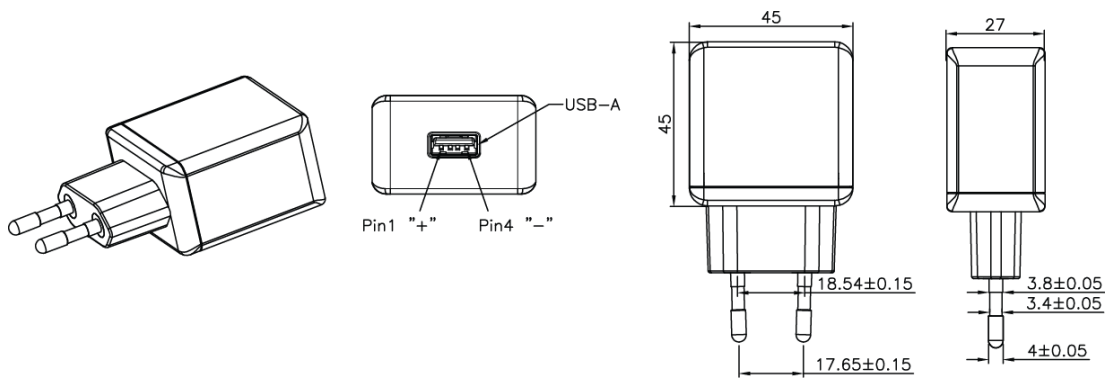
Dielectric Withstand (Hi-pot) TestPrimary to Secondary: 3000V AC for 1 min.,
10mA**DC Output Connector**

USB-A

PSA15A-308Q Dimension Diagram Unit: mm (inch)



PSA15E-308Q Dimension Diagram Unit: mm (inch)



PSA15K-308Q Dimension Diagram Unit: mm (inch)

