

5

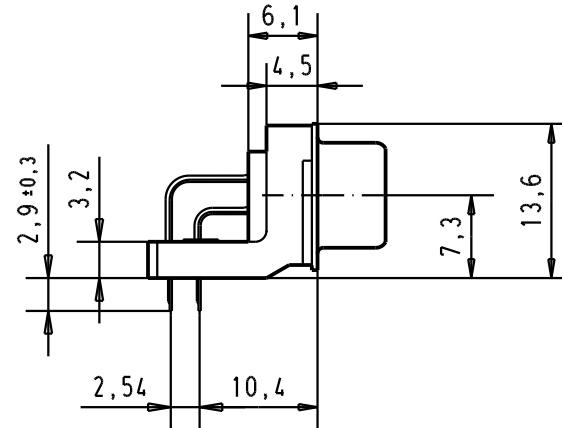
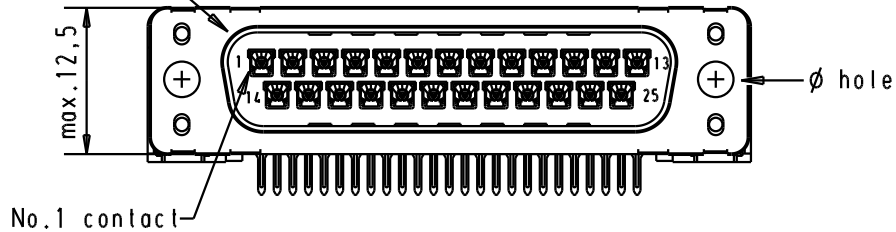
4

3

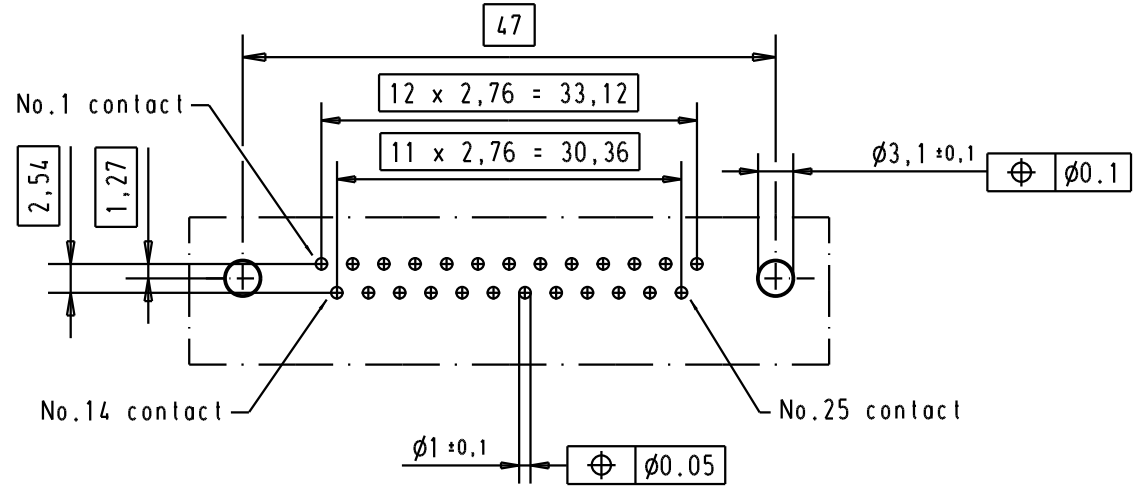
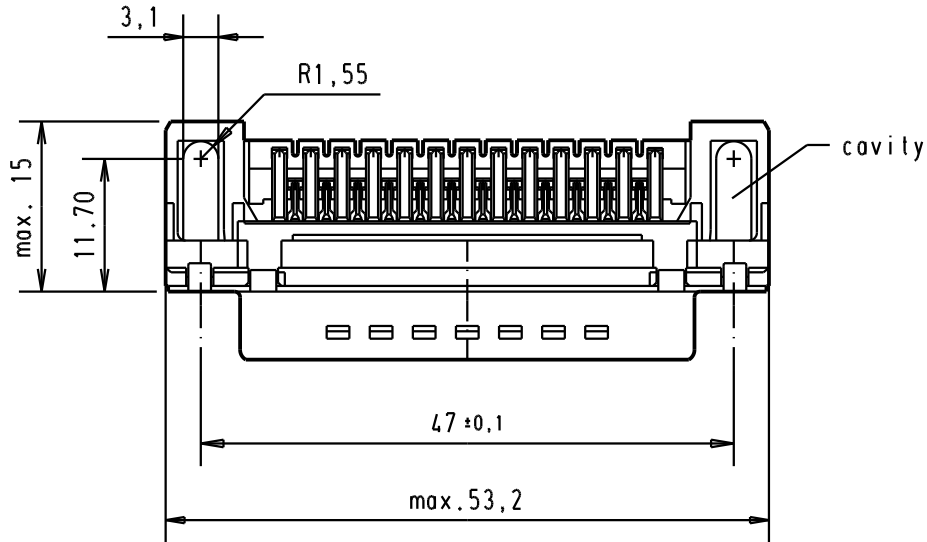
2

1



Mating face according to : MIL-C-24308 / DIN 41652 / CECC 75301-802



Printed board layout component side



A

						Det.	Name	 All Dim. in mm Orig. Size DIN A 4	D-Sub, male, standard angle, 25 poles, with solder pin and hole	Moßstab/ Scale
						12/dec/00	ALSPACE			1.5:1
						Insp.				
09 65 322 3800	3.1 ± 0.1	1	29773	22/04/04	JH	Stand.				
09 65 322 6800	3.1 ± 0.1	2	29689	18-APR-02	CV					
09 65 322 7800	3.1 ± 0.1	3	27960	02/07/01	AA					
Part number	ø hole	Performance level	Mod.	Dat.	Name	HARTING EURL F-95972 Paris			TB 0965322x80x	Blatt/ Page
									1	
									Sub.	