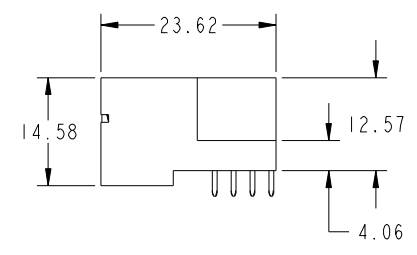
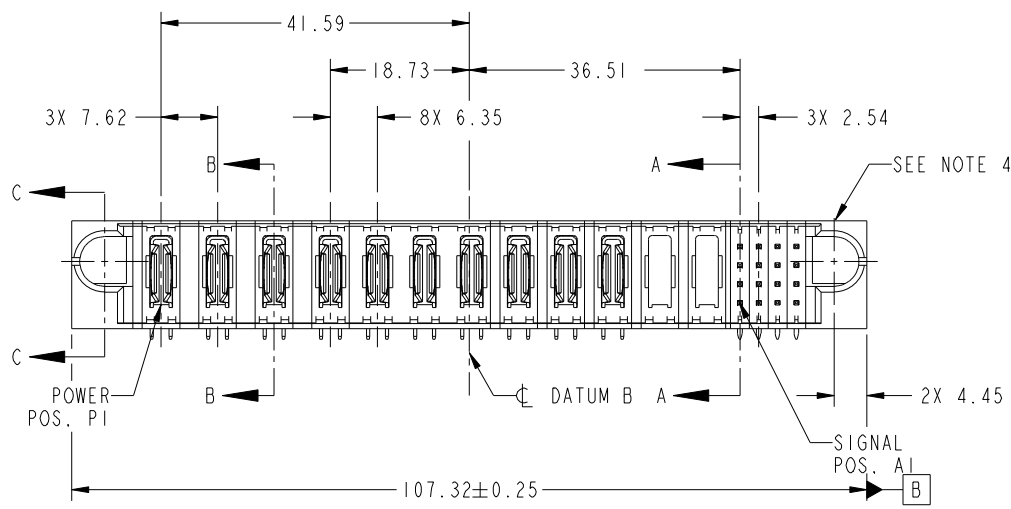
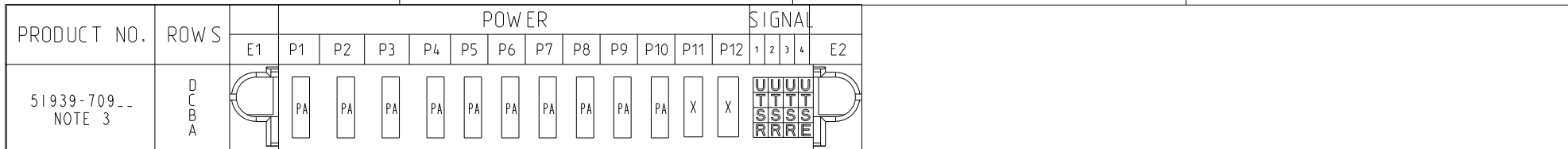




Copyright FCI.

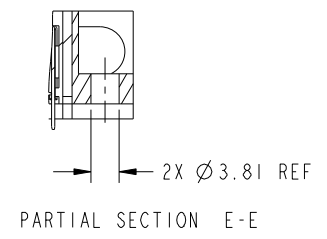
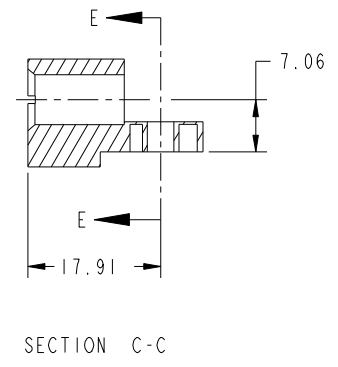
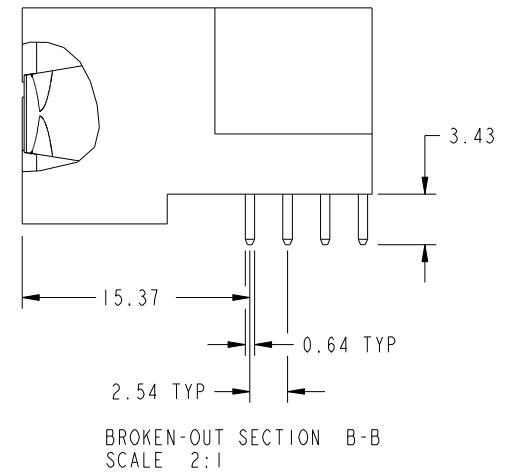
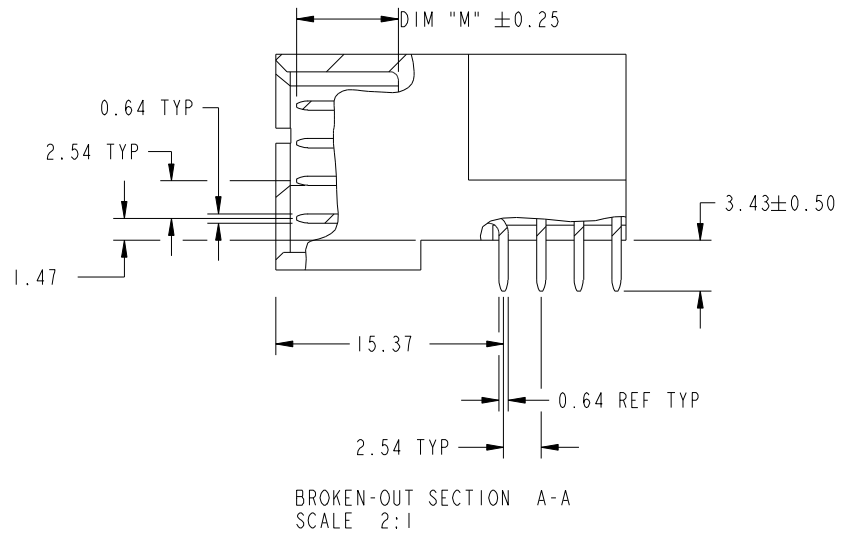


CODE	DIM "M" MATING LENGTH	CONTACT TYPE
PA	[N/A]	POWER
U	[6.86]	SIGNAL
T	[6.86]	SIGNAL
S	[6.86]	SIGNAL
R	[6.86]	SIGNAL
E	[5.59]	SIGNAL
X	OMITTED	OMITTED

spec ref *	dr Weller Luo 2012-09-27		projection		MM	size A4	scale 1:1
tolerance std	eng Weller Luo 2012-11-30					ecn no DG06-XXXX	rel level Released
SEE NOTE	chr -				product family PwrBlade		
	appr PM Zheng 2012-11-30		title 12P + 16S		dwg no 51939-709	rev A	
surface ✓	linear	0.X ±0.5	RIGHT ANGLE SOLDER HEADER				
		0.XX ±0.25	cat. no. -		Product - Customer Drw		
	angular	0° ±2°	www.fci.com		sheet 1 of 4		

Print File - REV C - 2009-06-09

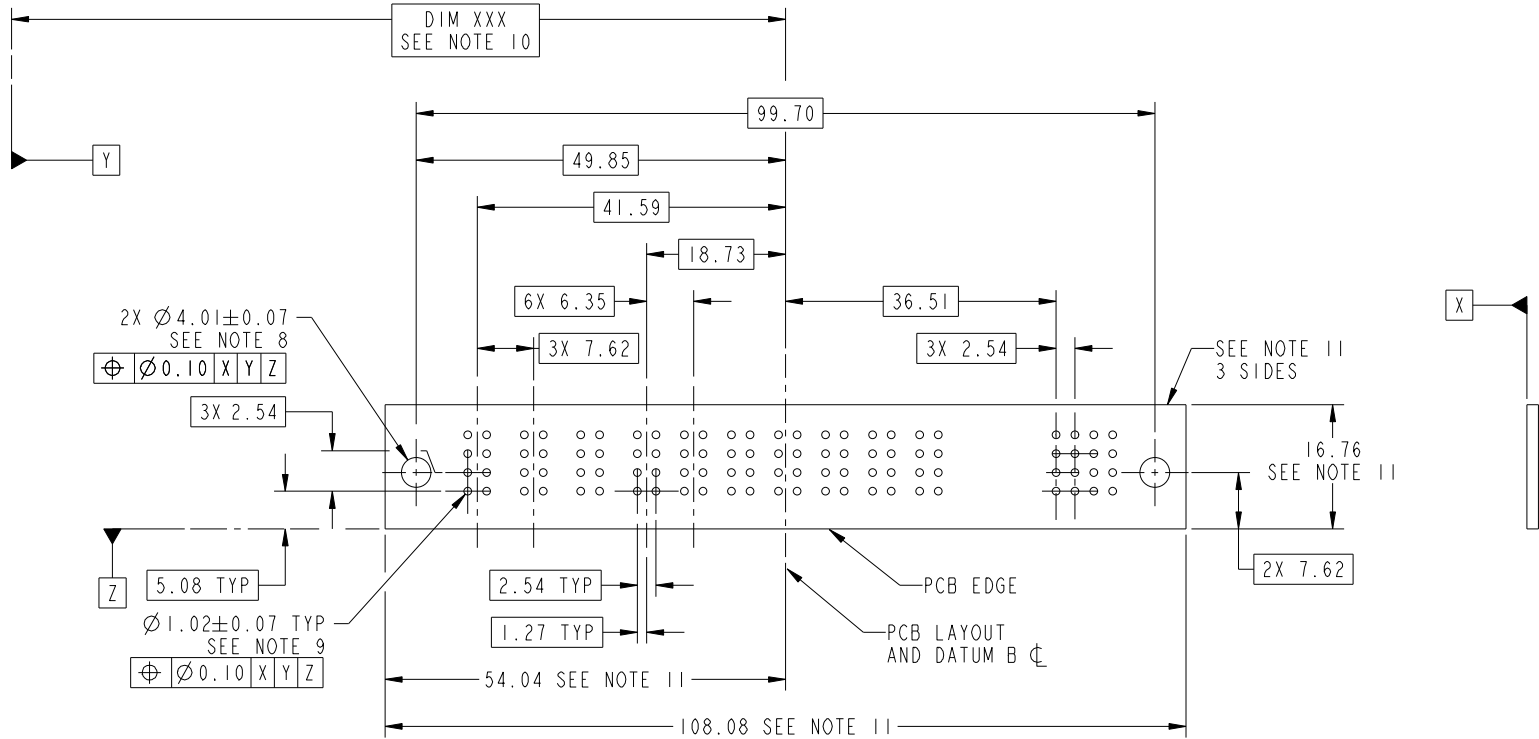
PRODUCT NUMBER
51939-709__
NOTE: 3



Copyright FCI.

dr	Weller Luo	2012-09-27	projection 	MM 	size	A4	scale	1:1			
eng	Weller Luo	2012-11-30			ecn no	DG06-XXXX					
chr	-	-	product family	PwrBlade	rel level	Released					
appr	PM Zheng	2012-11-30			title	12P + 16S		dwg no	51939-709	rev	A
www.fci.com		cat. no.	-		Product - Customer Drw			sheet 2 of 4			

PRODUCT NUMBER
51939-709__
NOTE: 3



RECOMMENDED PCB LAYOUT



Copyright FCI.

dr	Weller Luo	2012-09-27	projection 	MM 	size	A4	scale	1:1	
eng	Weller Luo	2012-11-30			ecn no	DG06-XXXX			
chr	-	-			rel level	Released			
appr	PM Zheng	2012-11-30	product family	PwrBlade	rel level	Released			
		title	12P + 16S RIGHT ANGLE SLODER HEADER		dwg no	51939-709		rev	A
www.fci.com		cat. no.	-			Product - Customer Drw		sheet 3 of 4	

Print File - REV C - 2009-06-09

PRODUCT NUMBER

51939-709__
NOTE: 3

NOTES:

1. DIMENSIONS AND TOLERANCES ARE IN ACCORDANCE WITH ASME Y14.5M, 1994 UNLESS OTHERWISE SPECIFIED.

CONNECTOR NOTES:

- 2. HOUSING MATERIAL: UL 94 V-0 GLASS FILLED HIGH-TEMP THERMOPLASTIC
POWER CONTACT MATERIAL: COPPER ALLOY
SIGNAL PIN MATERIAL: COPPER ALLOY
- 3. SEE ITEM 1 & 2 IN PRINT 10064183 FOR PLATING SPEC OF 51939-709 AND 51939-709LF RESPECTIVELY.
- 4. MANUFACTURER'S NAME, DATE CODE AND OPTIONAL P/N TO APPEAR ON THIS SURFACE. THE MARK CAN BE OMITTED IF THERE IS NOT ENOUGH SPACE ON THIS SURFACE.
- 5. PRODUCT SPECIFICATION GS-12-149.
APPLICATION SPECIFICATION BUS-20-067.
- 6. PACKAGED IN TRAYS.

PCB NOTES:

- 7. ALL HOLE DIAMETERS ARE FINISHED HOLE SIZE.
- 8. MOUNTING HOLES, WHERE APPLICABLE, ARE UNPLATED.
- 9. $\varnothing 1.151 \pm 0.025$ DRILLED HOLES PLATED WITH 0.008 MIN SnPb OR Sn OVER 0.03 TO 0.08 Cu PLATING TO ACHIEVE $\varnothing 1.02 \pm 0.07$ HOLE.
- 10. "DIM XXX" TO BE DETERMINED BY THE CUSTOMER.
- 11. CONNECTOR KEEP-OUT ZONE.



C

Copyright FCI.

D

dr	Weller Luo	2012-09-27	projection 	MM 	size	A4	scale	1:1	
eng	Weller Luo	2012-11-30			ecn no	DG06-XXXX			
chr	-	-			rel level	Released			
appr	PM Zheng	2012-11-30	product family		PwrBlade				
			title			12P + 16S		rev	A
www.fci.com			cat. no.			-		Product - Customer Drw	
			dwg no			51939-709		sheet 4 of 4	