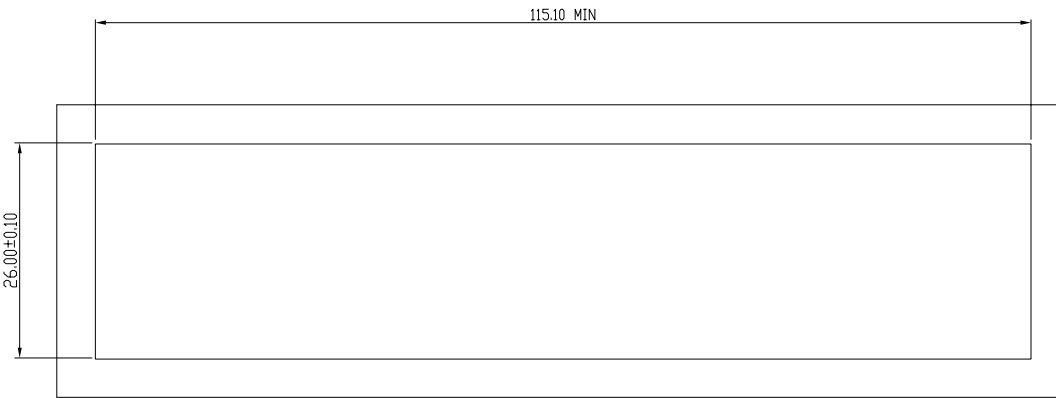


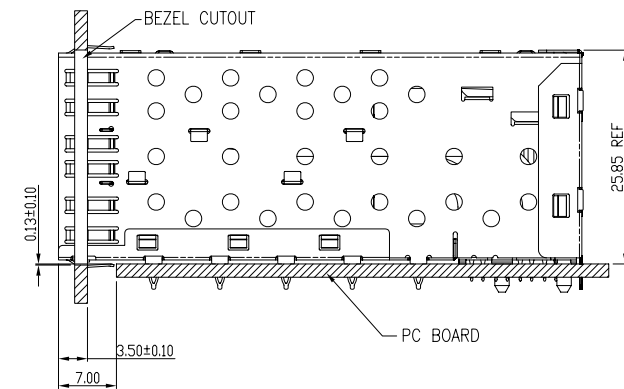
1. FULL RADIUS TYP. ON END OF PINS TO ASSIST ENTRY INTO PCB HOLES.
2. FREE OF BURRS AND OVERHANGS.

Qty Per:	TRAY	CARTON		
	3	18		
PART NUMBER	STATEMENT			
SFP0-3000-L	INNER/OUTER LIGHT PIPES			
	INNER LIGHT PIPES			
	OUTER LIGHT PIPES			
No.	DESCRIPTION	Q'ty	MATERIAL	PLATING
01	SFP CAGE (Non-Logo)	1	COPPER ALLOY	
02	CONNECTOR	8	HIGH TEMP/COPPER ALLOY	GOLD
03	LIGHT PIPES	8	POLYCARBONITE	

DETACHED LISTS	MM (INCH)	RoHS Compliant		Pulse A TECHNITROL COMPANY	
	TOLERANCES EXCEPT AS NOTED	TITLE			
	MM	W/LIGHT PIPES			
	.0 ± 0.25	±	SFP 2 by 8 CAGE+CONNECTOR_P		
	.00 ± 0.20	±	DFTD Jack		
	.000 ± 0.10	±	DRAWING NO. CSFP0-3000-L		
	ANGLES ± 0.5		DATE 1/05/2010		
			/PART NO. SFP0-3000-L		
			SCALE : 1		
			DO NOT SCALE DRAWING		
			SHEET 1 OF 4		
			SIZE REV		
			A3 0		



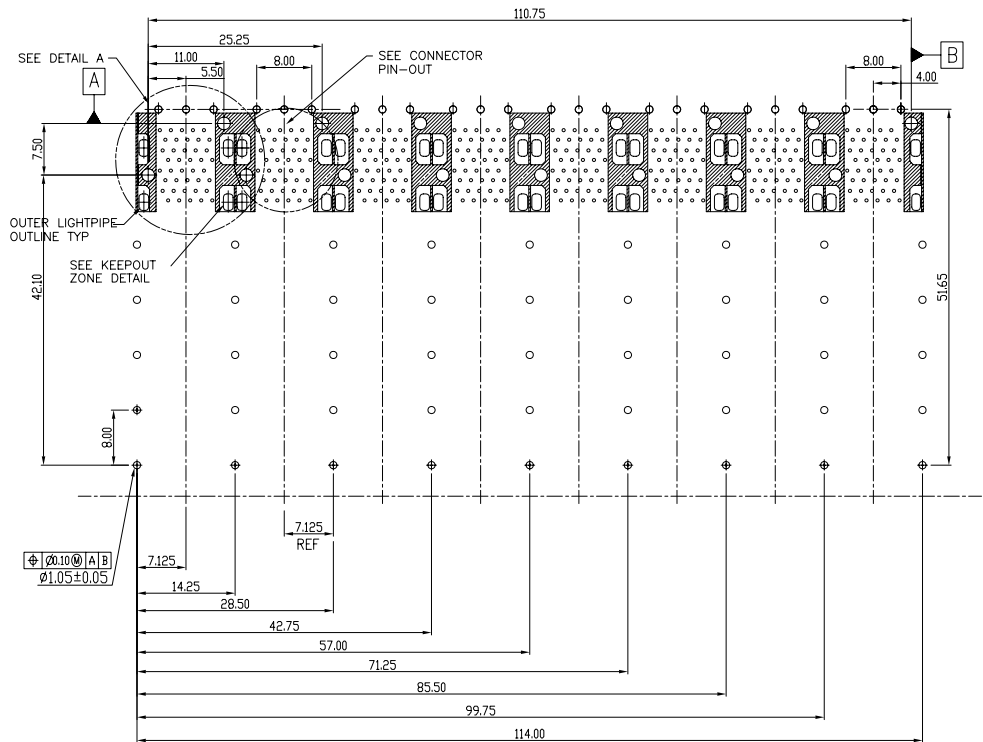
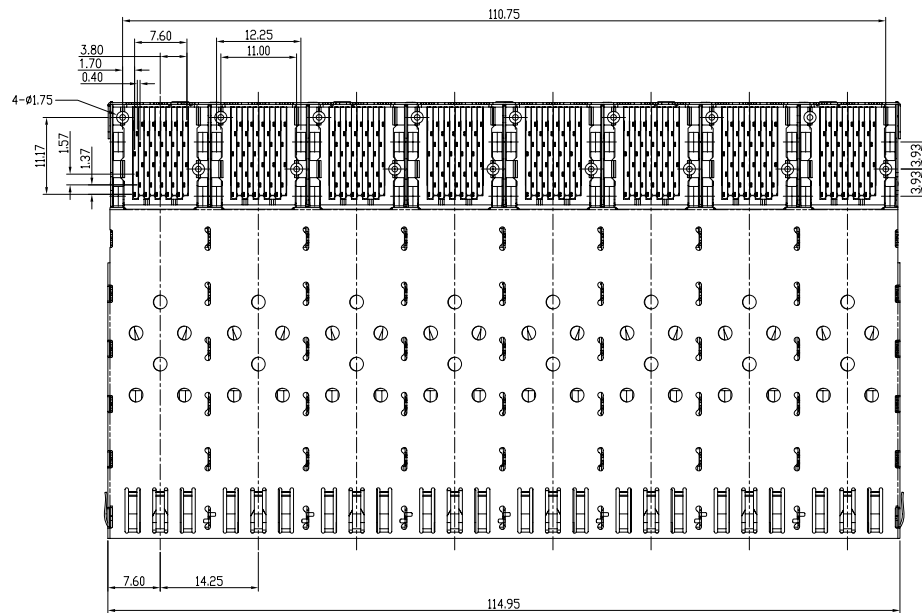
BEZEL CUT-OUT CENTER SPACING DETAIL
BEZEL THICKNESS:0.8-2.6



8 | 7 | 6 | 5 | 4 | 3 | 2 | 1

H
G
F
E
D
C
B
A

DETACHED LISTS	MM (INCH)		RoHS Compliant			
	TOLERANCES EXCEPT AS NOTED		TITLE SFP 2 by 8 CAGE+CONNECTOR_P W/LIGHT PIPES			
	MM					
	.0 ± 0.25	±				
.00 ± 0.20	±	DFTD Jack DATE 1/05/2010		DRAWING NO. CSFP0-3000-L /PART NO. SFP0-3000-L		
.000 ± 0.10	±	SCALE : 2:1		DO NOT SCALE DRAWING		
ANGLES ± 0.5		 THIRD ANGLE PROJECTION		SIZE A3		
				REV 0		
				SHEET 2 OF 4		



8

7

6

5

4

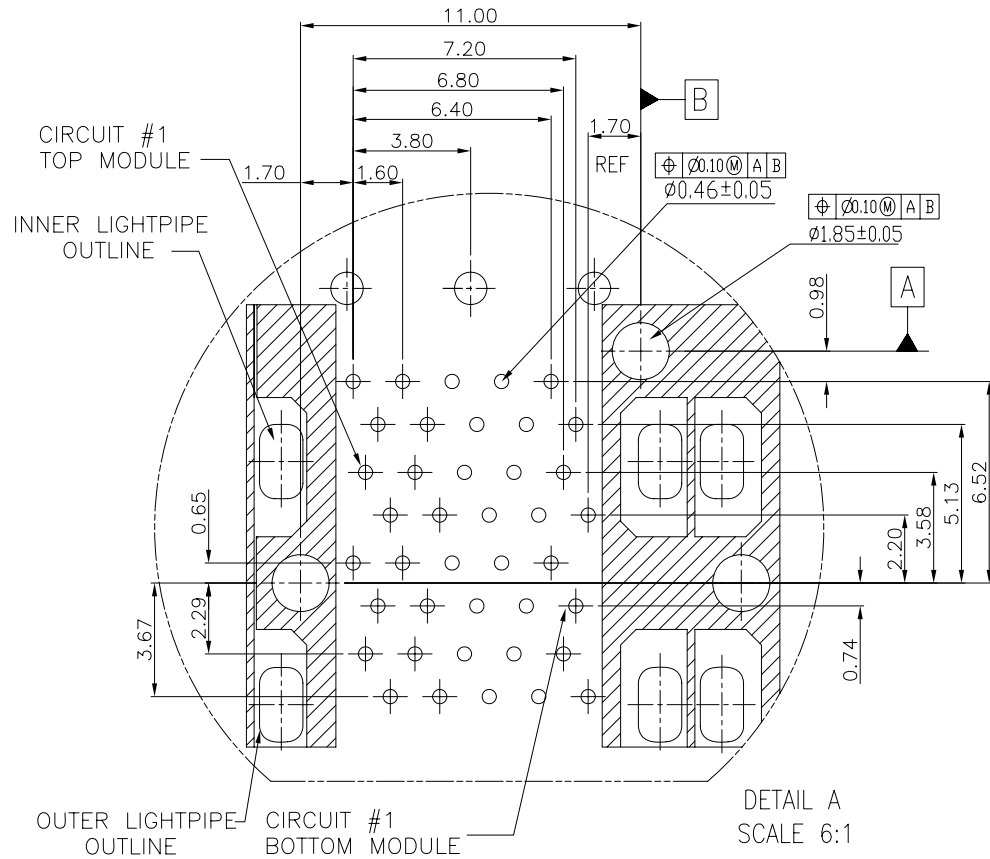
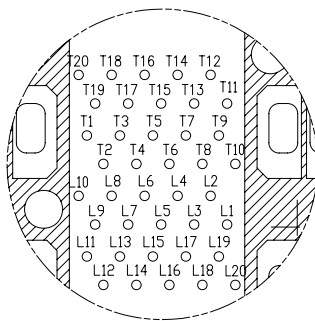
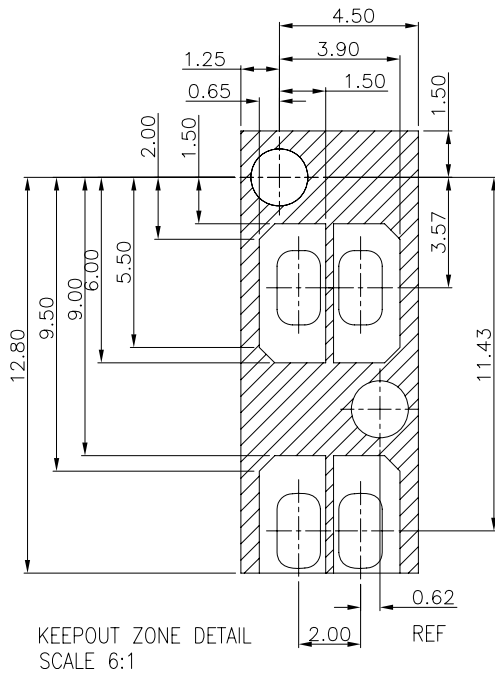
3

2

1

MM (INCH)		RoHS Compliant		Pulse A TECHNITROL COMPANY	
TOLERANCES EXCEPT AS NOTED		TITLE W/LIGHT PIPES			
MM		SFP 2 by 8 CAGE+CONNECTOR_P			
.0 ± 0.25	±	DFTD Jack		DRAWING NO. CSFP0-3000-L	SIZE
.00 ± 0.20	±	DATE 1/05/2010		/PART NO. SFPO-3000-L	REV
.000 ± 0.10	±	SCALE : 2:1		DO NOT SCALE DRAWING	A3 0
ANGLES ± 0.5		THIRD ANGLE PROJECTION		SHEET 3	OF 4

H
G
F
E
D
C
B
A



MM (INCH)		RoHS Compliant			
TOLERANCES EXCEPT AS NOTED					
DETACHED LISTS	MM				
	.0 ± 0.25		±		
	.00 ± 0.20		±		
	.000 ± 0.10		±		
	ANGLES ± 0.5				
 THIRD ANGLE PROJECTION		TITLE W/LIGHT PIPES SFP 2 by 8 CAGE+CONNECTOR_P		SIZE A3	
DFTD Jack DATE 1/05/2010 SCALE : 2:1		DRAWING NO. CSFP0-3000-L /PART NO. SFPO-3000-L		REV 0	SHEET 4 OF 4