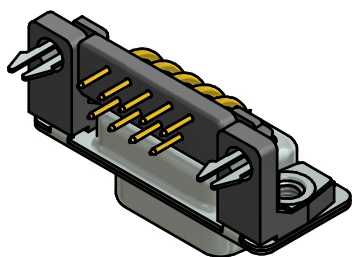


NOTES: (b)

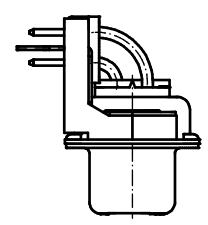
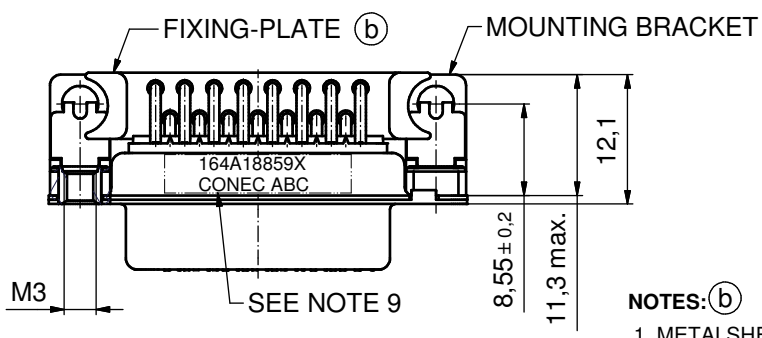
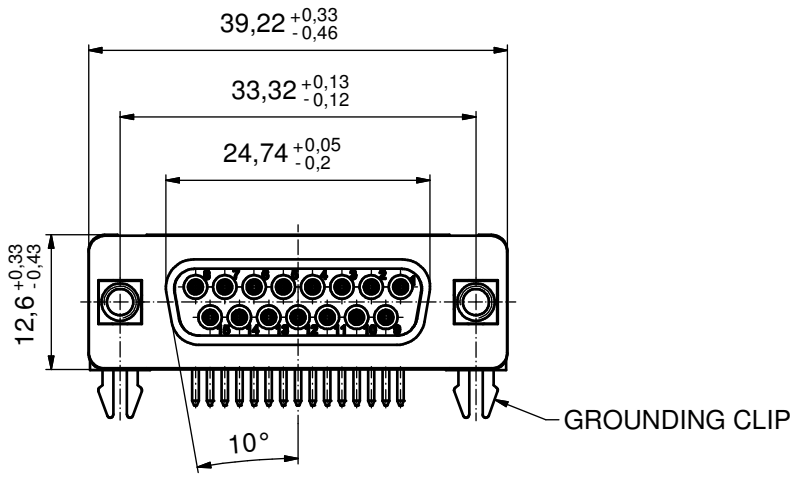
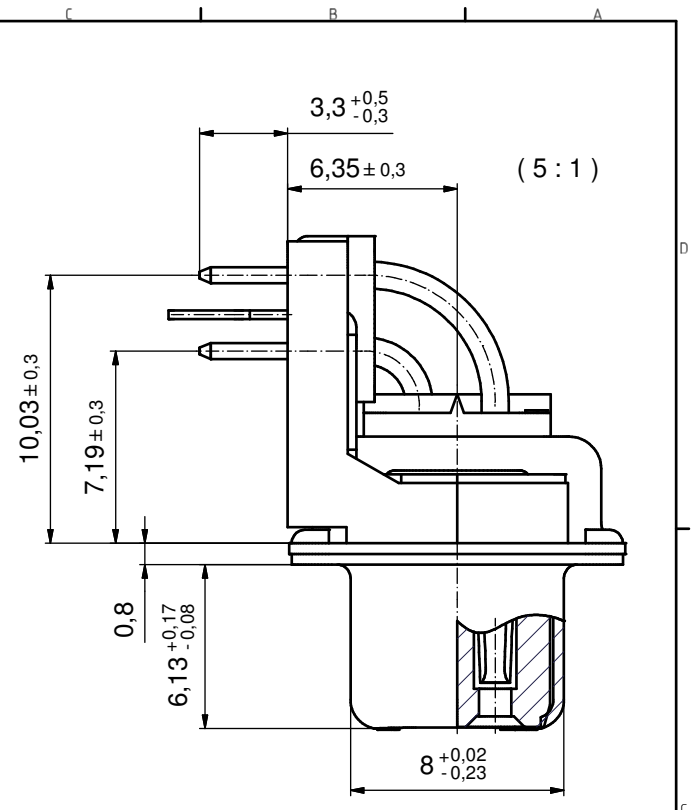
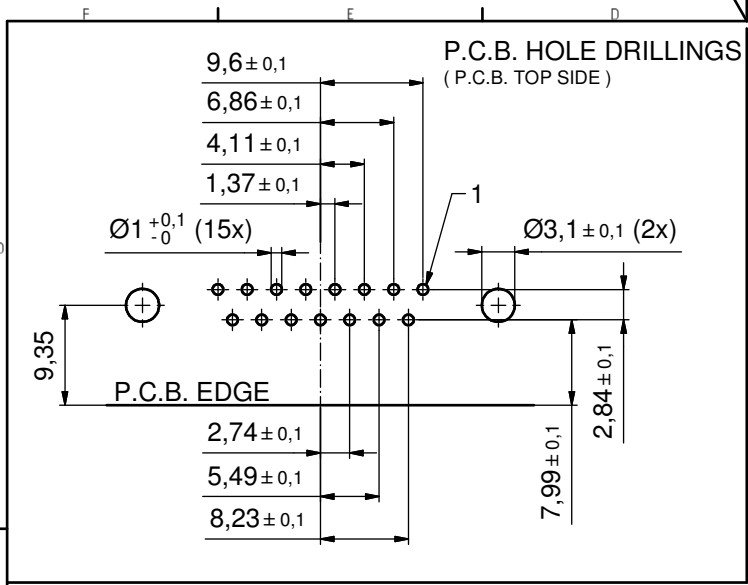
- METALSHELLS: STEEL; min. 315µin TIN over 40-80µin NICKEL
- INSULATORS: PBT GF UL 94 V-0; BLACK
- CONTACTS: COPPER ALLOY
PLATING: GOLD FLASH over NICKEL
- MOUNTING BRACKETS: PBT GF UL 94 V-0; BLACK
- THREADED INSERTS: COPPER ALLOY; min. 200µin TIN over 80µin NICKEL
- GROUNDING-CLIPS: COPPER ALLOY; min. 200µin TIN over 80µin NICKEL
PCB-HOLE: Ø3.1 ± 0.1; PCB THICKNESS 1.6mm
- FIXING-PLATE: PBT GF UL 94 V-0; BLACK
- MAXIMUM TORQUE VALUE FOR THREAD: 6 in.LB
- CONNECTOR IS PART MARKED: 164A18849X CONEC ABC



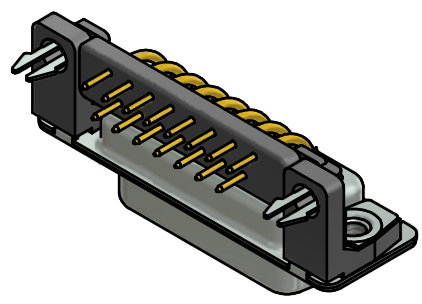
Directive 2002/95/EC RoHS compliant

THIS DRAWING MAY NOT BE COPIED OR REPRODUCED IN ANY WAY, AND MAY NOT BE PASSED ON TO A THIRD PARTY WITHOUT WRITTEN PERMISSION. OWNERSHIP AND COPYRIGHT OF CONEC GmbH DO NOT ALTER CAD DRAWING BY HAND	tolerance		dim. in mm		scale: 2:1 (5:1)
					material: SEE NOTES
	date	name		title:	
	drawn 28.09.01	Parei		D-SUB FEMALE 90° 9pos. SOLDER PIN ANGLED 0.318inch threade insert,mounting bracket,grounding clip	
	appd. 28.09.01	Mickenbecker			
norm	DIN 41652		dwg no:		
d-old			16K1A319A		
3 x b	A3816	29.11.10	K.H.	DIN-A3	
a	Original			(b) sh: 1/6	
rev.	description	date	name	part no: 164A18849X	



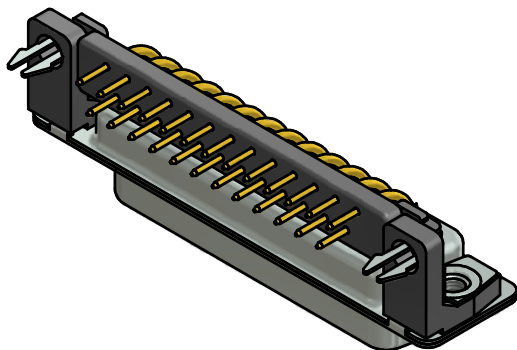
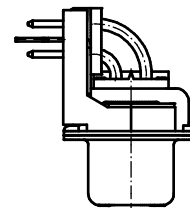
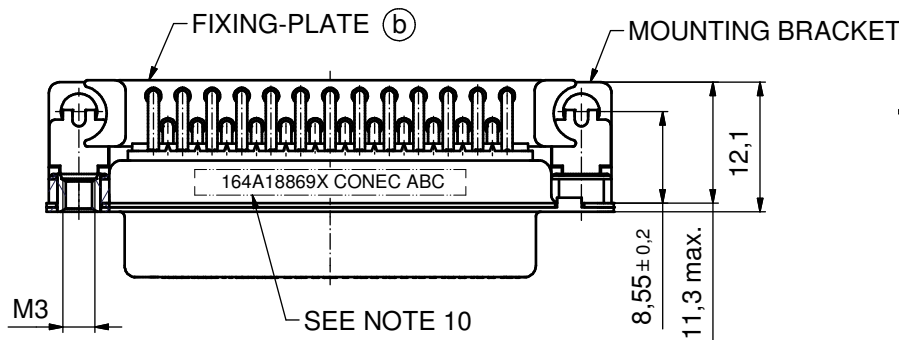
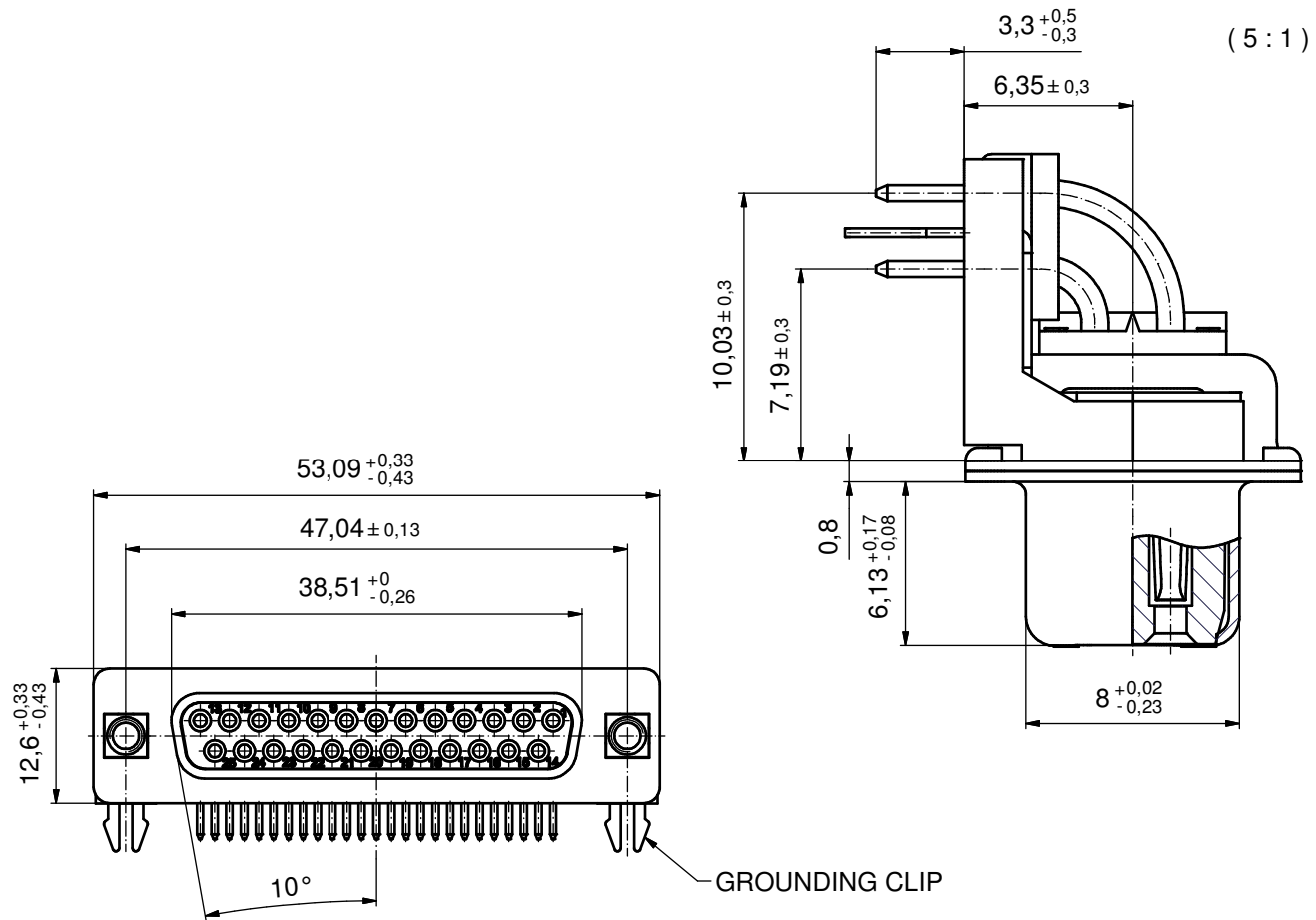


- NOTES:** (b)
- METALSHELLS: STEEL; min. 315µm TIN over 40-80µm NICKEL
 - INSULATORS: PBT GF UL 94 V-0; BLACK
 - CONTACTS: COPPER ALLOY
PLATING: GOLD FLASH over NICKEL
 - MOUNTING BRACKETS: PBT GF UL 94 V-0; BLACK
 - THREADED INSERTS: COPPER ALLOY; min. 200µm TIN over 80µm NICKEL
 - GROUNDING-CLIPS: COPPER ALLOY; min. 200µm TIN over 80µm NICKEL
PCB-HOLE: $\varnothing 3.1 \pm 0.1$; PCB THICKNESS 1.6mm
 - FIXING-PLATE: PBT GF UL 94 V-0; BLACK
 - MAXIMUM TORQUE VALUE FOR THREAD: 6 in.LB
 - CONNECTOR IS PART MARKED: **164A18859X CONEC ABC**



Directive 2002/95/EC RoHS compliant

THIS DRAWING MAY NOT BE COPIED OR REPRODUCED IN ANY WAY, AND MAY NOT BE PASSED ON TO A THIRD PARTY WITHOUT WRITTEN PERMISSION. OWNERSHIP AND COPYRIGHT OF CONEC GmbH DO NOT ALTER CAD DRAWING BY HAND	tolerance		dim. in mm		scale:	2:1 (5:1)		
					material:	SEE NOTES		
			date	name	title:			
			drawn	28.09.01	Parei	D-SUB FEMALE 90°		
			appd.	28.09.01	Mickenbecker	15pos. SOLDER PIN ANGLED 0.318inch thread insert, mounting bracket, grounding clip		
		norm		DIN 41652	dwg no:			
		d-old			16K1A319A			
3 x b	A3816	26.11.10	K.H.				DIN-A3	
a	Origin						164A18859X	
rev.	description	date	name	part no:				164A18859X



NOTES: (b)

1. METALHELLS: STEEL; min. 315µin TIN over 40-80µin NICKEL
2. INSULATORS: PBT GF UL 94 V-0; BLACK
3. CONTACTS: COPPER ALLOY
PLATING: GOLD FLASH over NICKEL
4. MOUNTING BRACKETS: PBT GF UL 94 V-0; BLACK
5. THREADED INSERTS: COPPER ALLOY; min. 200µin TIN over 80µin NICKEL
6. GROUNDING-CLIPS: COPPER ALLOY; min. 200µin TIN over 80µin NICKEL
PCB-HOLE: $\varnothing 3.1 \pm 0.1$; PCB THICKNESS 1.6mm
7. FIXING-PLATE: PBT GF UL 94 V-0; BLACK
8. P.C.B HOLE DRILLINGS ON SHEET 4
9. MAXIMUM TORQUE VALUE FOR THREAD: 6 in.LB
10. CONNECTOR IS PART MARKED: **164A18869X CONEC ABC**

Directive 2002/95/EC RoHS compliant

THIS DRAWING MAY NOT BE COPIED OR REPRODUCED IN ANY WAY, AND MAY NOT BE PASSED ON TO A THIRD PARTY WITHOUT WRITTEN PERMISSION. OWNERSHIP AND COPYRIGHT OF CONEC GmbH

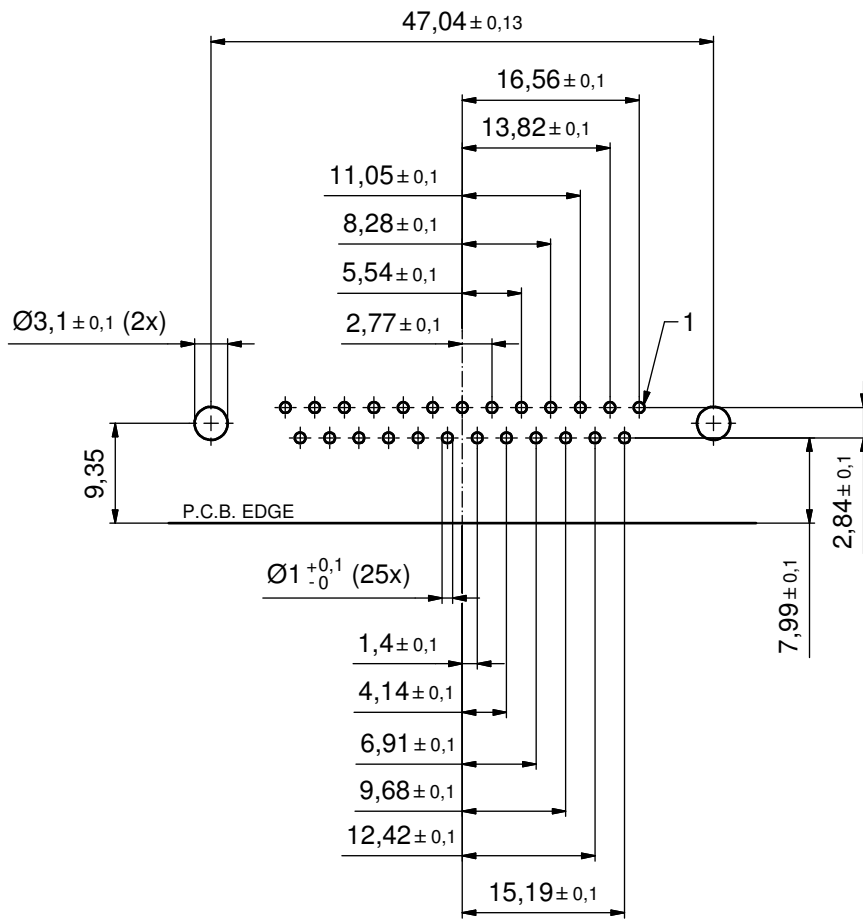
DO NOT ALTER CAD DRAWING BY HAND

				tolerance		dim. in mm	
				date	name		
				drawn	28.09.01	Parei	
				appd.	28.09.01	Mickenbecker	
				norm	DIN 41652		
				d-old			
3 x b	A3816	29.11.10	K.H.	CONEC [®]			
a	Origin						
rev.	description	date	name				

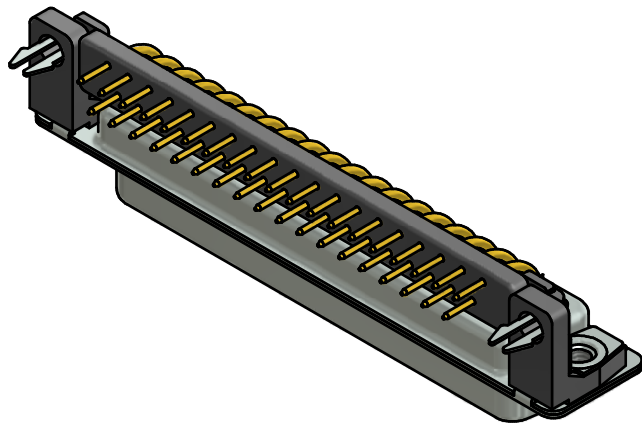
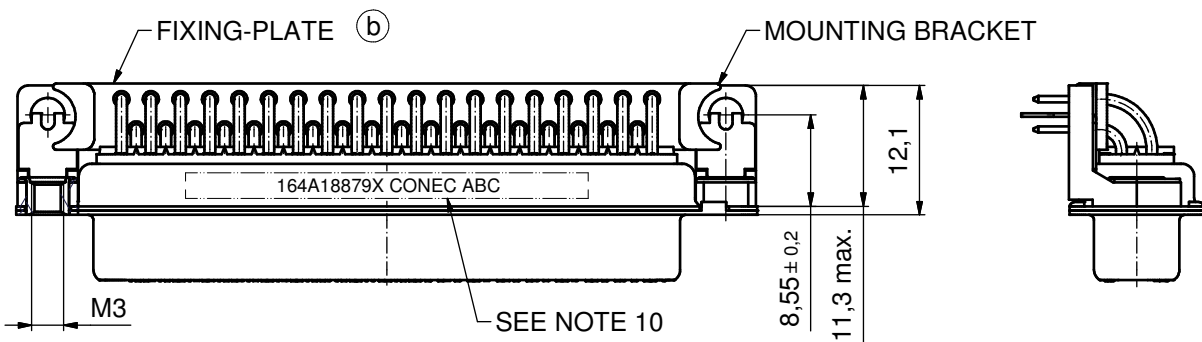
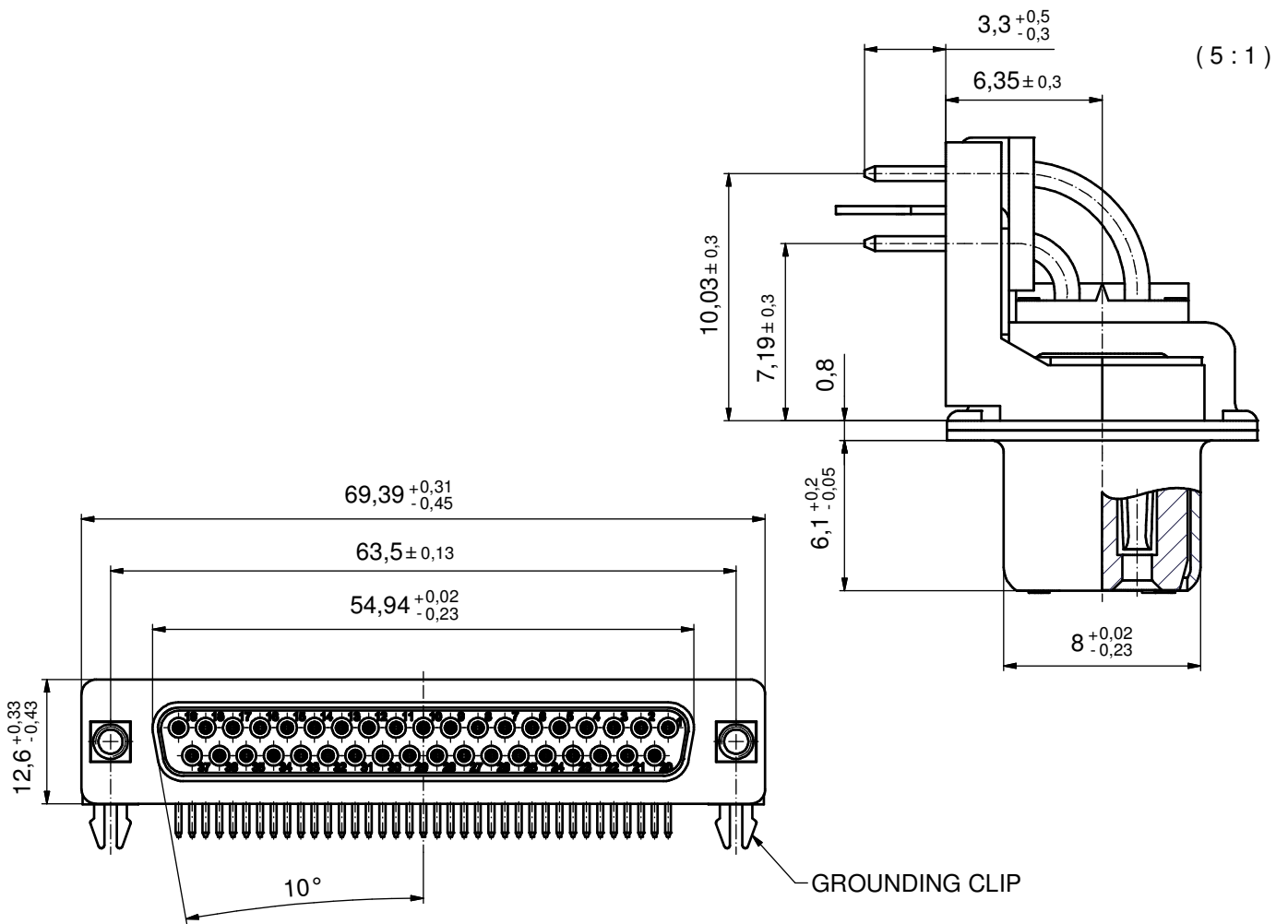
scale:	2:1 (5:1)	
material:	SEE NOTES	
title:	D-SUB FEMALE 90° 25pos. SOLDER PIN ANGLED 0.318inch thread insert, mounting bracket, grounding clip	
dwg no:	16K1A319A	DIN-A3
part no:	164A18869X	(b) sh: 3/4

P.C.B. HOLE DRILLINGS

(P.C.B. TOP SIDE)



THIS DRAWING MAY NOT BE COPIED OR REPRODUCED IN ANY WAY, AND MAY NOT BE PASSED ON TO A THIRD PARTY WITHOUT WRITTEN PERMISSION. OWNERSHIP AND COPYRIGHT OF CONEC GmbH DO NOT ALTER CAD DRAWING BY HAND				tolerance		scale: 2:1	
				date	name	material: SEE SHEET3	
				drawn	28.09. Parei	title: P.C.B. HOLE DRILLINGS D-SUB Female 25pos. 0.318inch with thread insert, mounting bracket and grounding clip	
				appd.	28.09. Mickenbecker		
				norm			
			d-old		dwg no:		
a	Origin		CONEC [®]			16K1A319A	DIN-A3
rev.	description	date				name	part no: SEE SHEET3



NOTES: (b)

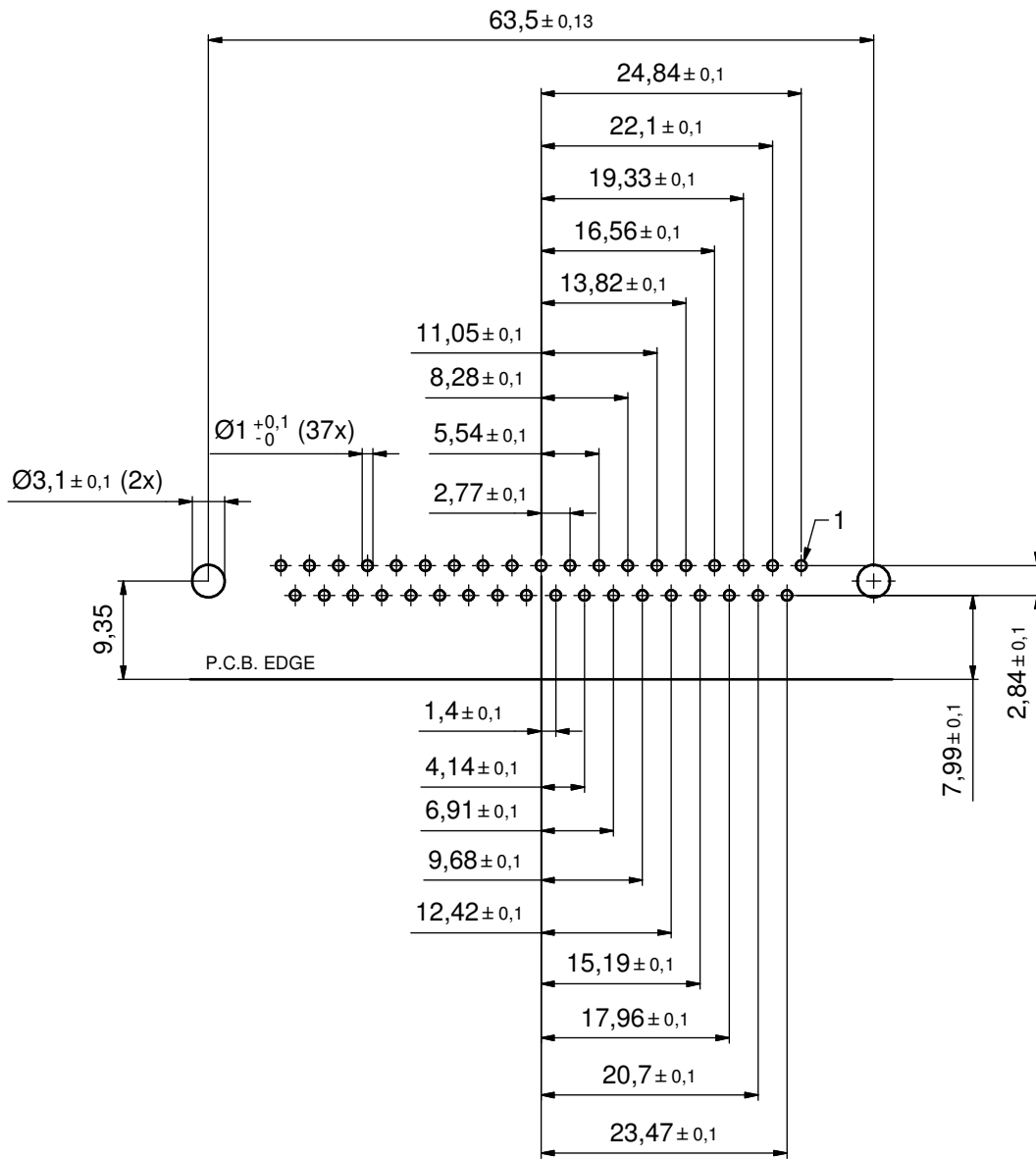
1. METALSHELLS: STEEL; min. 315µm TIN over 40-80µm NICKEL
2. INSULATORS: PBT GF UL 94 V-0; BLACK
3. CONTACTS: COPPER ALLOY
PLATING: GOLD FLASH over NICKEL
4. MOUNTING BRACKETS: PBT GF UL 94 V-0; BLACK
5. THREADED INSERTS: COPPER ALLOY; min. 200µm TIN over 80µm NICKEL
6. GROUNDING-CLIPS: COPPER ALLOY; min. 200µm TIN over 80µm NICKEL
PCB-HOLE: $\varnothing 3.1 \pm 0.1$; PCB THICKNESS 1.6mm
7. FIXING-PLATE: PBT GF UL 94 V-0; BLACK
8. P.C.B HOLE DRILLINGS ON SHEET 6
9. MAXIMUM TORQUE VALUE FOR THREAD: 6 in.LB
10. CONNECTOR IS PART MARKED: 164A18879X CONEC ABC

Directive 2002/95/EC RoHS compliant

THIS DRAWING MAY NOT BE COPIED OR REPRODUCED IN ANY WAY, AND MAY NOT BE PASSED ON TO A THIRD PARTY WITHOUT WRITTEN PERMISSION. OWNERSHIP AND COPYRIGHT OF CONEC GmbH DO NOT ALTER CAD DRAWING BY HAND					tolerance	dim. in mm	scale:	2:1 (5:1)	
					date		name	material:	SEE NOTES
					drawn	28.09.01	Parei	title: D-SUB FEMALE 90° 37pos. SOLDER PIN ANGLED 0.318inch thread insert, mounting bracket, grounding clip	
					appd.	28.09.01	Mickenbecker		
					norm				
					d-old				
	3 x b	A3816	06.12.10	K.H.				dwg no:	DIN-A3
	a	Origin						16K1A319A	(b) sh: 5/6
	rev.	description	date	name				part no:	164A18879X

P.C.B. HOLE DRILLINGS

(P.C.B. TOP SIDE)



Directive 2002/95/EC RoHS compliant

THIS DRAWING MAY NOT BE COPIED OR REPRODUCED IN ANY WAY, AND MAY NOT BE PASSED ON TO A THIRD PARTY WITHOUT WRITTEN PERMISSION. OWNERSHIP AND COPYRIGHT OF CONEC GmbH DO NOT ALTER CAD DRAWING BY HAND				tolerance	 dim. in mm	scale: 2:1	
				date		name	material: SEE SHEET 5
				drawn	28.09.01	Perei	P.C.B. HOLE DRILLINGS D-SUB Female 37pos. 0.318inch with thread insert, mounting bracket and grounding clip
				appd.	28.09.10	Mickenbecker	
				norm			
			d-old			dwg no:	
	a	Origin				16K1A319A	DIN-A3
rev.	description	date				name	part no: SEE SHEET 5