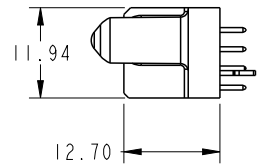
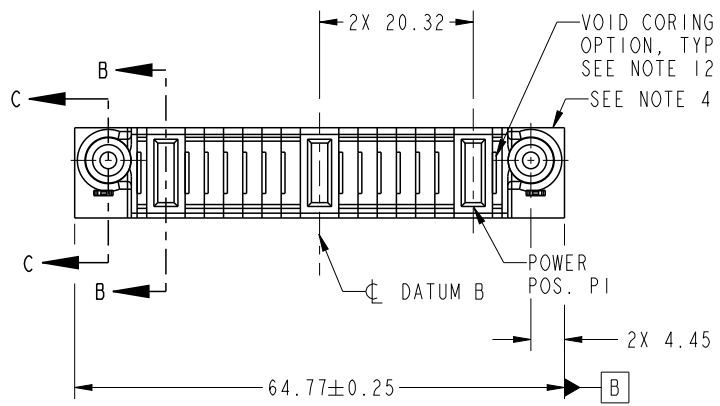


PRODUCT NO. 51940-458-- NOTE: 3	POWER				
	E2	P3	P2	P1	E1



CODE	DIM "M" MATING LENGTH	CONTACT TYPE
PA	[1.07]	POWER
HA	[N/A]	HOLD-DOWN
PD	[2.34]	POWER

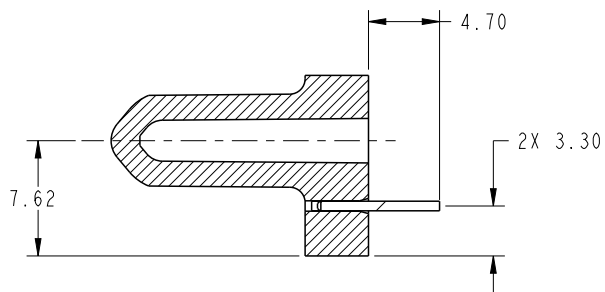
spec ref	*	dr	Luo Weller	2012/09/13	projection 	MM ←→	size	A4	scale	1:1
tolerance std	TOLERANCES UNLESS OTHERWISE SPECIFIED	eng	Luo Weller	2012/09/26			ecn no	-		
SEE NOTE		chr	-	-			rel level	Released		
surface	linear	0.X	±0.5	 <a href="http://www.fci.com">www.fci.com</a>	title 3ACP VERTICAL SOLDER RECEPT	dwg no 51940-458	rev A			
		0.XX	±0.25							
		0.XXX	±0.1							
	angular	0°	±2°	cat. no.	*	Product - Customer Drw	sheet 1 of 4			



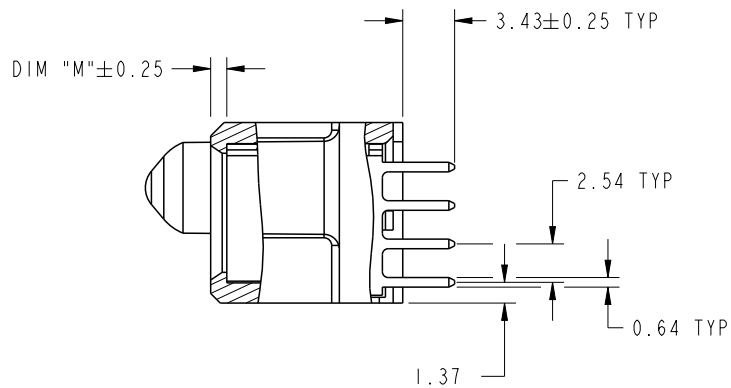
Copyright FCI.

PRODUCT NUMBER

51940-458\_\_  
NOTE: 3



SECTION C-C  
SCALE 2:1



SECTION B-B  
SCALE 2:1

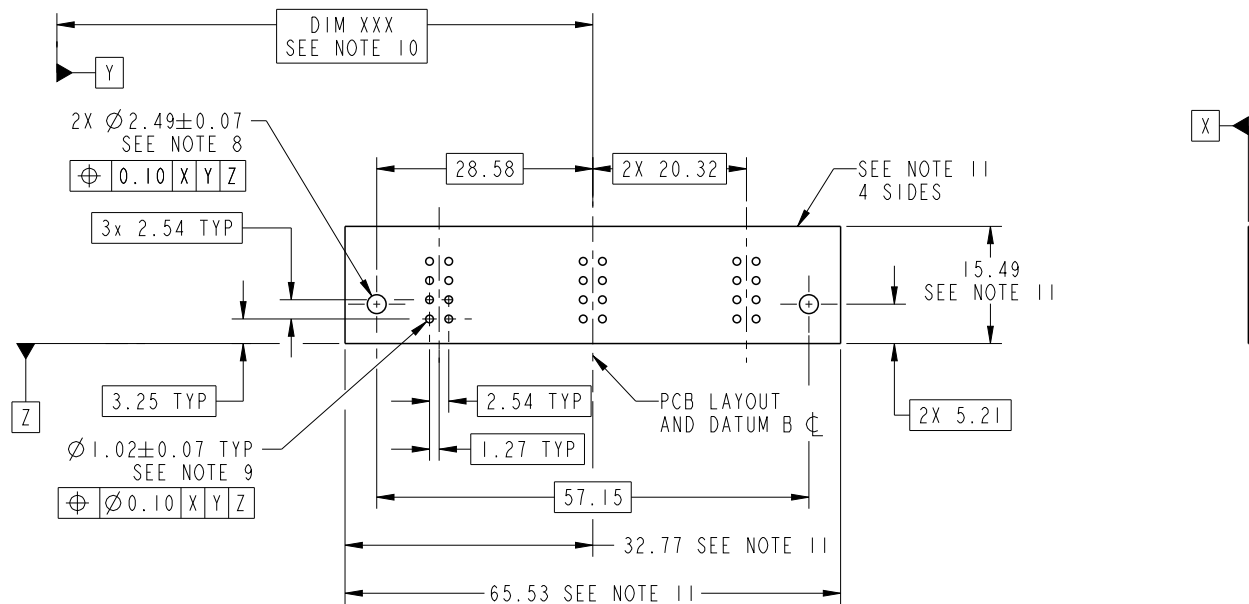


Copyright FCI.

dr	Luo Weller	2012/09/13	projection 	MM 	size	A4	scale	1:1	
eng	Luo Weller	2012/09/26			ecn no	-			
chr	-	-			rel level	Released			
appr	Pei-Ming Zheng	2012/10/10	product family	PwrBlade					
	title	3ACP VERTICAL SOLDER RECEPT			dwg no	51940-458		rev	A
www.fci.com	cat. no.	*	Product - Customer Drw			sheet 2 of 4			

PRODUCT NUMBER

51940-458\_\_  
NOTE: 3



RECOMMENDED PCB LAYOUT

dr	Luo Weller	2012/09/13	projection 	MM 	size	A4	scale	1:1	
eng	Luo Weller	2012/09/26			ecn no	-			
chr	-	-			rel level	Released			
appr	Pei-Ming Zheng	2012/10/10	product family	PwrBlade					
		title	3ACP VERTICAL SOLDER RECEPT		dwg no	51940-458		rev	A
www.fci.com		cat. no.	*	Product - Customer Drw			sheet 3 of 4		

PRODUCT NUMBER

51940-458\_\_  
NOTE: 3

NOTES:

1. DIMENSIONS AND TOLERANCES ARE IN ACCORDANCE WITH ASME Y14.5M, 1994 UNLESS OTHERWISE SPECIFIED.

CONNECTOR NOTES:

- ② HOUSING MATERIAL: UL 94 V-0 GLASS FILLED HIGH-TEMP THERMOPLASTIC  
POWER CONTACT MATERIAL: COPPER ALLOY  
SIGNAL PIN MATERIAL: COPPER ALLOY
- 3. SEE ITEM 5 & 6 IN PRINT 10064183 FOR PLATING SPEC OF 51940-458 AND 51940-458LF RESPECTIVELY.
- ④ MANUFACTURER'S NAME, DATE CODE AND OPTIONAL P/N TO APPEAR ON THIS SURFACE. THE MARK CAN BE OMITTED IF THERE IS NOT ENOUGH SPACE ON THIS SURFACE.
- 5. PRODUCT SPECIFICATION GS-12-149.  
APPLICATION SPECIFICATION BUS-20-067.
- 6. PACKAGED IN TRAYS.
- PCB NOTES:
- 7. ALL HOLE DIAMETERS ARE FINISHED HOLE SIZE.
- ⑧ MOUNTING HOLES, WHERE APPLICABLE, ARE UNPLATED.
- ⑨  $\varnothing 1.151 \pm 0.025$  DRILLED HOLES PLATED WITH  
0.008 MIN SnPb OR Sn OVER 0.03  
TO 0.08 Cu PLATING TO ACHIEVE  
 $\varnothing 1.02 \pm 0.07$  HOLE.
- ⑩ "DIM XXX" TO BE DETERMINED BY THE CUSTOMER.
- ⑪ CONNECTOR KEEP-OUT ZONE.
- 12. THE VOID CORING IN BETWEEN POWER MODULES, SIGNAL MODULES AND END MODULES ARE OPTIONAL AND THE SHAPE MAY BE DIFFERENT FOR OPTIMIZE THE MOLDING PROCESS. THE VOID CORING WILL NOT EFFECT TO PRODUCT FUNCTION.

dr	Luo Weller	2012/09/13	projection 	MM 	size	A4	scale	1:1			
eng	Luo Weller	2012/09/26			ecn no	-					
chr	-	-			product family	PwrBlade	rel level	Released			
appr	Pei-Ming Zheng	2012/10/10			title	3ACP		dwg no	51940-458	rev	A
www.fci.com		cat. no.	*	Product - Customer Drw			sheet 4 of 4				