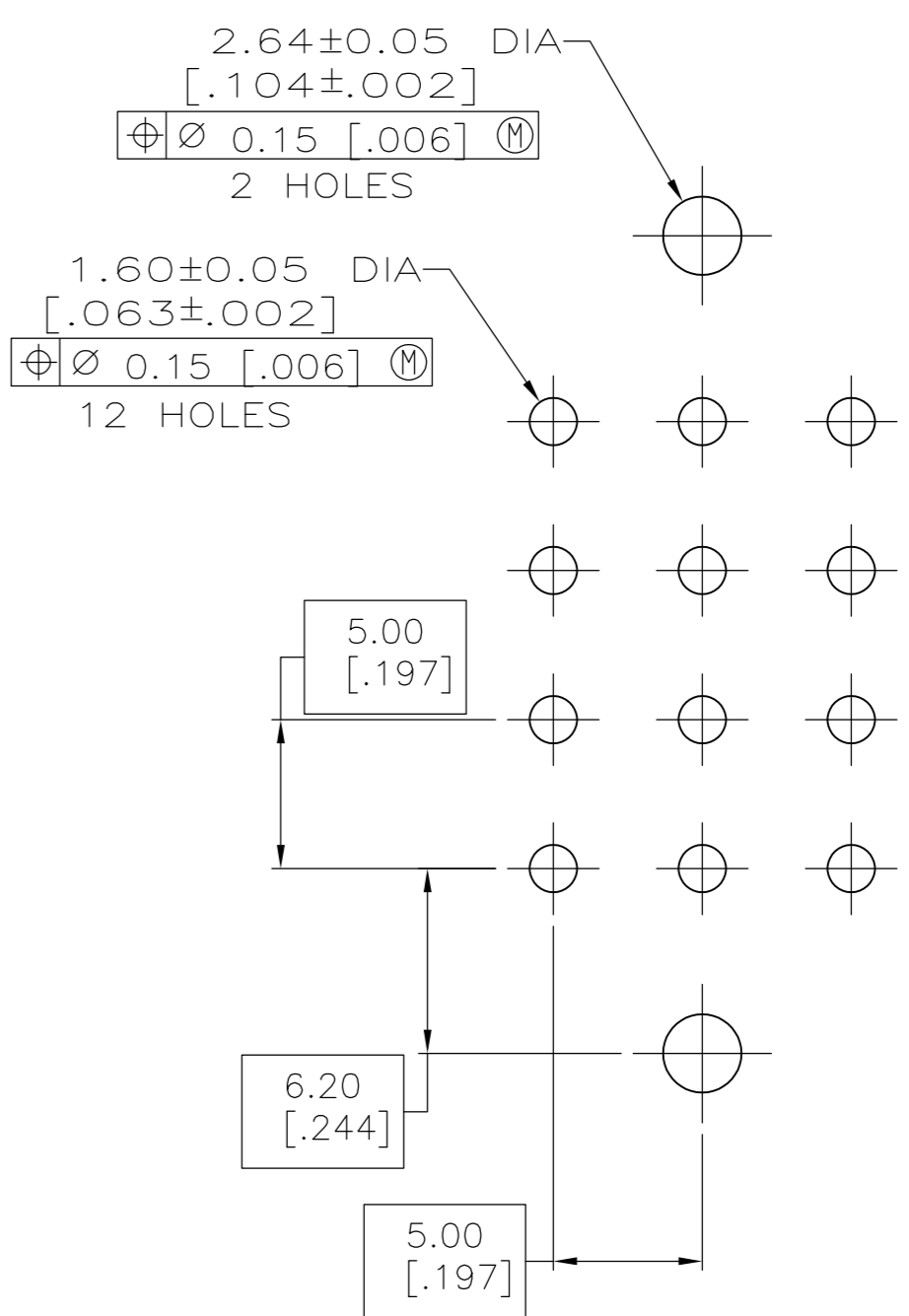
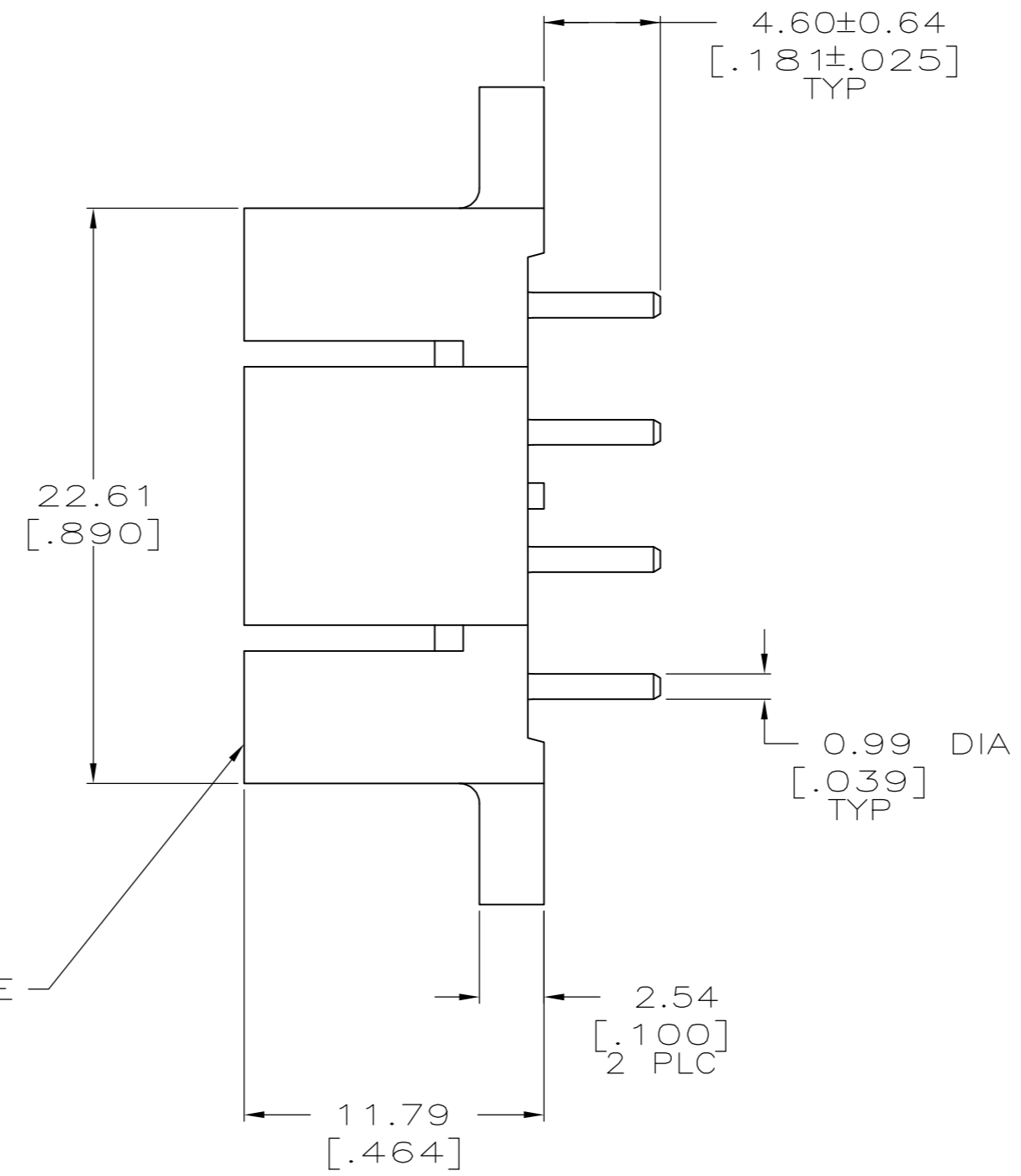
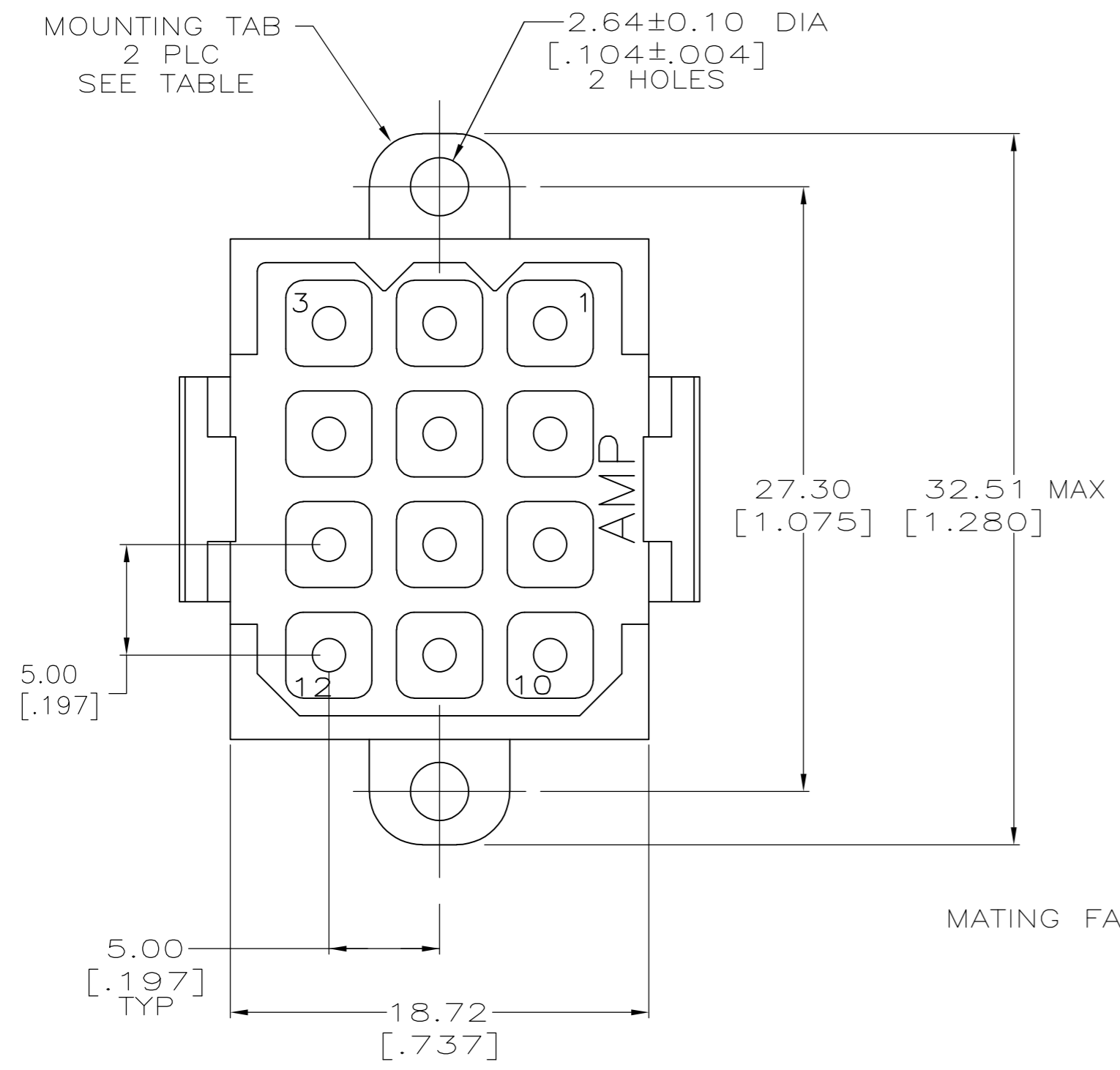
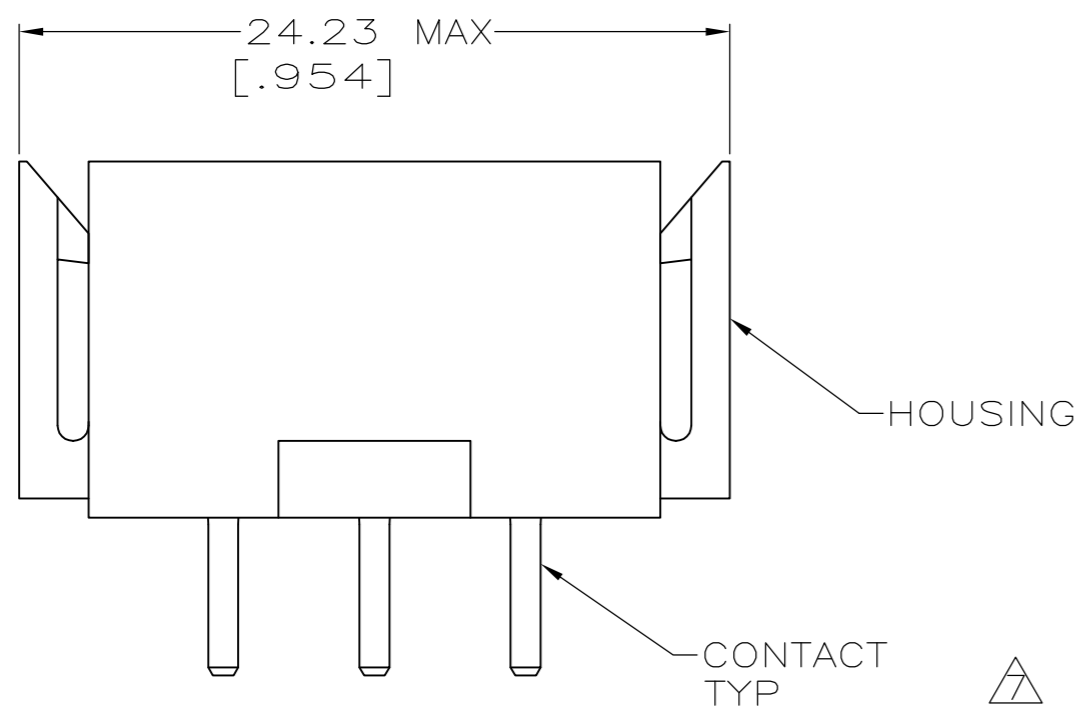


THIS DRAWING IS UNPUBLISHED. RELEASED FOR PUBLICATION  
 © COPYRIGHT - By - ALL RIGHTS RESERVED.

LOC		DIST		REVISIONS			
P	LTR	DESCRIPTION	DATE	DWN	APVD		
FT	0	S2	REVISED PER ECO-11-004820	11MAR11	RK	HMR	



RECOMMENDED PC BOARD LAYOUT



- ① NYLON, UL 94V-0 RATED, RED.
- ② BRASS PER ASTM B36.
- ③ 3.81um [.000150] MIN TIN OVER 2.54um [.000100] MIN COPPER.
- ④ 0.76um [.000030] MIN GOLD FOR A LENGTH OF 5.08 [.200] FROM MATING END, 3.81um [.000150] MIN TIN-LEAD FOR A LENGTH OF 4.83 [.190] MIN FROM OPPOSITE END, BOTH OVER 1.27um [.000050] MIN NICKEL.
- ⑤ SELECTIVELY LOADED CONTACTS IN POSITIONS 1 THRU 5, 7 THRU 12.
- ⑥ 3.81um [.000150] MIN TIN OVER 2.54um [.000100] MIN COPPER.

- ⑦ 0.76um [.000030] MIN GOLD FOR A LENGTH OF 5.08 [.200] FROM MATING END, 3.81um [.000150] MIN TIN FOR A LENGTH OF 4.83 [.190] MIN FROM OPPOSITE END, BOTH OVER 1.27um [.000050] MIN NICKEL.
- ⑧ SUPERSEDED BY 1-207120-2
- ⑨ OBSOLETE PARTS: OBSOLETE CIS STREAMLINING PER D.RENAUD/D.SINISI

CONTACT FINISH	MOUNTING TABS	PART NUMBER
⑥	YES	⑤ 1-207120-2
⑦	NO	1-207120-1
⑥	NO	1-207120-0
⑥	YES	207120-9
⑦	YES	207120-8
③	YES	⑤ 207120-7
④	NO	207120-4
④	YES	207120-3
③	NO	207120-2
③	YES	207120-1

THIS DRAWING IS A CONTROLLED DOCUMENT.

DIMENSIONS: mm [INCHES]	TOLERANCES UNLESS OTHERWISE SPECIFIED:	DWN L.SIPE 03/11/92	TE Connectivity																								
<table border="1"> <tr><td>0 PLC</td><td>± -</td></tr> <tr><td>1 PLC</td><td>± -</td></tr> <tr><td>2 PLC</td><td>± 0.25 [.010]</td></tr> <tr><td>3 PLC</td><td>± -</td></tr> <tr><td>4 PLC</td><td>± -</td></tr> <tr><td>ANGLES</td><td>± -</td></tr> </table>	0 PLC	± -		1 PLC	± -	2 PLC	± 0.25 [.010]	3 PLC	± -	4 PLC	± -	ANGLES	± -	<table border="1"> <tr><td>FINISH</td><td>CONTACT: SEE TABLE</td></tr> </table>	FINISH	CONTACT: SEE TABLE	<table border="1"> <tr><td>CHK R.STONE 3-17-92</td><td>APVD -</td></tr> <tr><td>PRODUCT SPEC 108-10033</td><td>APPLICATION SPEC -</td></tr> <tr><td>WEIGHT -</td><td>SCALE 4:1</td></tr> </table>	CHK R.STONE 3-17-92	APVD -	PRODUCT SPEC 108-10033	APPLICATION SPEC -	WEIGHT -	SCALE 4:1	<table border="1"> <tr><td>NAME</td><td>SHEET 1 OF 1</td></tr> <tr><td>SIZE A2</td><td>REV S2</td></tr> </table>	NAME	SHEET 1 OF 1	SIZE A2
0 PLC	± -																										
1 PLC	± -																										
2 PLC	± 0.25 [.010]																										
3 PLC	± -																										
4 PLC	± -																										
ANGLES	± -																										
FINISH	CONTACT: SEE TABLE																										
CHK R.STONE 3-17-92	APVD -																										
PRODUCT SPEC 108-10033	APPLICATION SPEC -																										
WEIGHT -	SCALE 4:1																										
NAME	SHEET 1 OF 1																										
SIZE A2	REV S2																										
MATERIAL HOUSING: 1	CONTACT: SEE TABLE	<table border="1"> <tr><td>DATE 03/11/92</td><td>REV 3-17-92</td></tr> <tr><td>NAME</td><td>TE Connectivity</td></tr> <tr><td>PRODUCT SPEC 108-10033</td><td>APPLICATION SPEC -</td></tr> <tr><td>WEIGHT -</td><td>SCALE 4:1</td></tr> </table>	DATE 03/11/92	REV 3-17-92	NAME	TE Connectivity	PRODUCT SPEC 108-10033	APPLICATION SPEC -	WEIGHT -	SCALE 4:1	<table border="1"> <tr><td>CAGE CODE 00779</td><td>DRAWING NO C=207120</td></tr> <tr><td>RESTRICTED TO -</td><td>SCALE 4:1</td></tr> </table>	CAGE CODE 00779	DRAWING NO C=207120	RESTRICTED TO -	SCALE 4:1												
DATE 03/11/92	REV 3-17-92																										
NAME	TE Connectivity																										
PRODUCT SPEC 108-10033	APPLICATION SPEC -																										
WEIGHT -	SCALE 4:1																										
CAGE CODE 00779	DRAWING NO C=207120																										
RESTRICTED TO -	SCALE 4:1																										