

THIS DRAWING IS UNPUBLISHED.

RELEASED FOR PUBLICATION

19

© COPYRIGHT 20

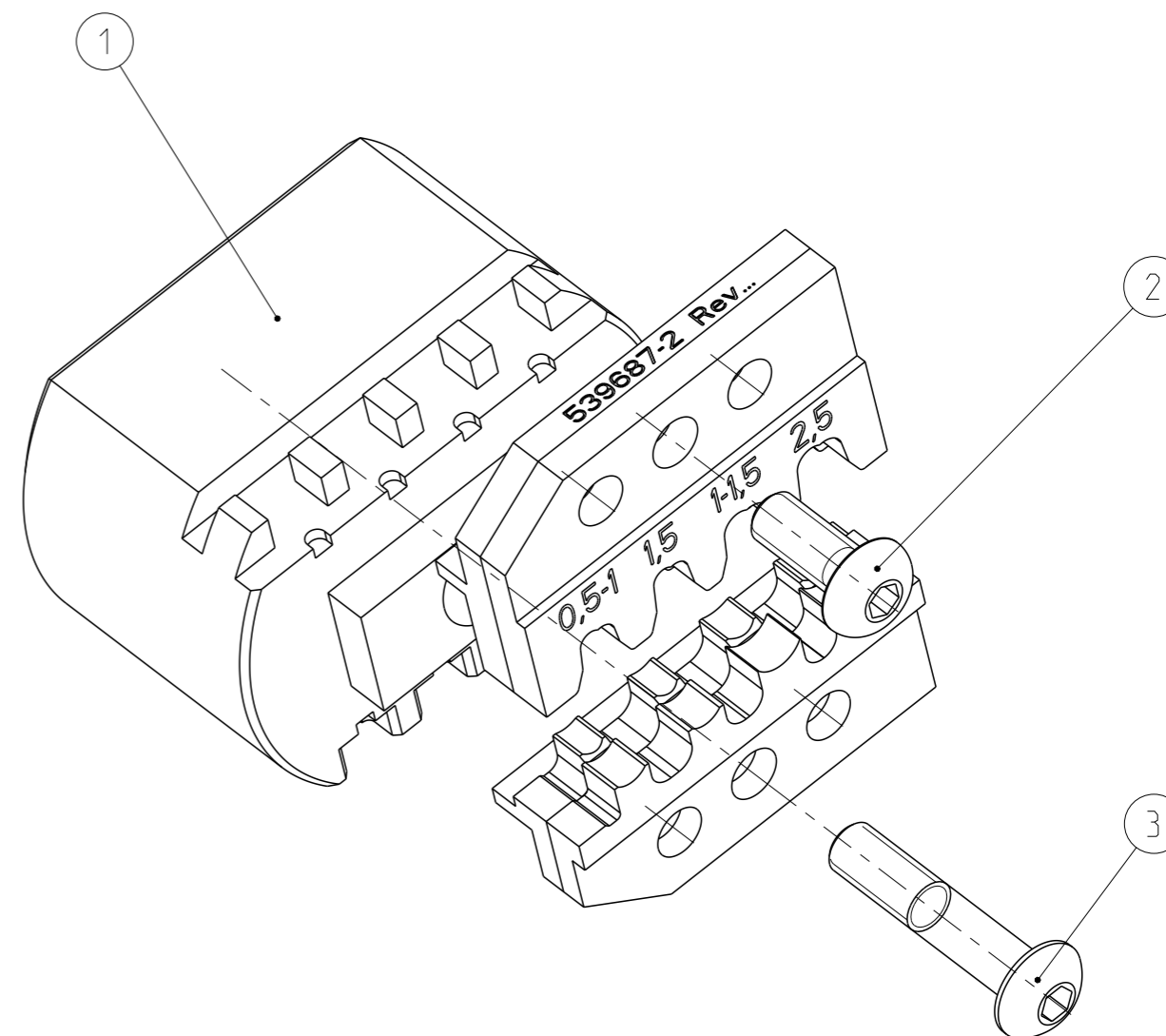
BY -

ALL RIGHTS RESERVED.

REVISIONS

P	LTR	DESCRIPTION	DATE	DWN	APVD
	A	INITIAL RELEASE	11FEB2002	MW	UR
	B	ECR-14-002026	11FEB2014	MG	GS

ERGOCRIMP DIE SET FOR USE WITH ERGOCRIMP BASIS HAND TOOL PN 539635-1.
 ERGOCRIMP DIE SET zur Verwendung mit Ergocrimp Basishandzange PN 539635-1.



539687-2	1	411-18159	Instruction Sheet	Bedienungsanleitung	4
INCLUDED IN DELIVERY im Lieferumfang	1	1-519151-2	Screw M4x20	Schraube M4x20	3
	1	519151-9	Screw M4x10	Schraube M4x10	2
	1	9-1579025-6	Contact Locator	Kontaktpositionierer	1
	QTY Stck	PN	Description	Benennung	Pos.

Kontakt Contact	DGB (SQMM) Wire Range	Drahtcrimp/Wirecrimp		Isocrimp	Iso.-Ø Ins. Range	Betriebsanl. Instr. Sheet
		Höhe/Height	Breite/Width	Breite/Width		
925596 / 925598 / 925622 / 925871 / 926007 / 927936 / 927973	0.5-1.0	1.35	2.28	3.05	2.0-3.0	411-18159
	1.5	1.44				
827808 / 925597 / 925613 / 925623 / 926008 / 927880 / 927937 / 1241825	1.0-1.5	1.35	2.80	4.0	2.4-3.7	
	2.5	1.70				

THIS DRAWING IS A CONTROLLED DOCUMENT.

DIMENSIONS:
mm



MATERIAL

TOLERANCES UNLESS OTHERWISE SPECIFIED:

0 PLC ±
 1 PLC ±
 2 PLC ±
 3 PLC ±
 4 PLC ±
 ANGLES ±

FINISH

DWN M.Goetz 11FEB2014

CHK C.Witt 11FEB2014

APVD C.Witt 11FEB2014

PRODUCT SPEC

APPLICATION SPEC

WEIGHT 0.110 kg

CUSTOMER DRAWING



TE Connectivity

NAME
ERGOCRIMP DIE SET
JUNIOR AND STANDARD TIMER

SIZE A3 CAGE CODE - DRAWING NO. C-539687-2 RESTRICTED TO -

SCALE 2:1 SHEET 1 OF 1 REV B