



CY3676

Evaluation Kit User Guide

Doc No. 002-11165 Rev. *A

Cypress Semiconductor
198 Champion Court
San Jose, CA95134-1709
Phone (USA): 800.858.1810
Phone (Intl): +1.408.943.2600
www.cypress.com

Copyrights

© Cypress Semiconductor Corporation, 2016. This document is the property of Cypress Semiconductor Corporation and its subsidiaries, including Spansion LLC (“Cypress”). This document, including any software or firmware included or referenced in this document (“Software”), is owned by Cypress under the intellectual property laws and treaties of the United States and other countries worldwide. Cypress reserves all rights under such laws and treaties and does not, except as specifically stated in this paragraph, grant any license under its patents, copyrights, trademarks, or other intellectual property rights. If the Software is not accompanied by a license agreement and you do not otherwise have a written agreement with Cypress governing the use of the Software, then Cypress hereby grants you a personal, non-exclusive, nontransferable license (without the right to sublicense) (1) under its copyright rights in the Software (a) for Software provided in source code form, to modify and reproduce the Software solely for use with Cypress hardware products, only internally within your organization, and (b) to distribute the Software in binary code form externally to end users (either directly or indirectly through resellers and distributors), solely for use on Cypress hardware product units, and (2) under those claims of Cypress’s patents that are infringed by the Software (as provided by Cypress, unmodified) to make, use, distribute, and import the Software solely for use with Cypress hardware products. Any other use, reproduction, modification, translation, or compilation of the Software is prohibited.

TO THE EXTENT PERMITTED BY APPLICABLE LAW, CYPRESS MAKES NO WARRANTY OF ANY KIND, EXPRESS OR IMPLIED, WITH REGARD TO THIS DOCUMENT OR ANY SOFTWARE OR ACCOMPANYING HARDWARE, INCLUDING, BUT NOT LIMITED TO, THE IMPLIED WARRANTIES OF MERCHANTABILITY AND FITNESS FOR A PARTICULAR PURPOSE. To the extent permitted by applicable law, Cypress reserves the right to make changes to this document without further notice. Cypress does not assume any liability arising out of the application or use of any product or circuit described in this document. Any information provided in this document, including any sample design information or programming code, is provided only for reference purposes. It is the responsibility of the user of this document to properly design, program, and test the functionality and safety of any application made of this information and any resulting product. Cypress products are not designed, intended, or authorized for use as critical components in systems designed or intended for the operation of weapons, weapons systems, nuclear installations, life-support devices or systems, other medical devices or systems (including resuscitation equipment and surgical implants), pollution control or hazardous substances management, or other uses where the failure of the device or system could cause personal injury, death, or property damage (“Unintended Uses”). A critical component is any component of a device or system whose failure to perform can be reasonably expected to cause the failure of the device or system, or to affect its safety or effectiveness. Cypress is not liable, in whole or in part, and you shall and hereby do release Cypress from any claim, damage, or other liability arising from or related to all Unintended Uses of Cypress products. You shall indemnify and hold Cypress harmless from and against all claims, costs, damages, and other liabilities, including claims for personal injury or death, arising from or related to any Unintended Uses of Cypress products.

Cypress, the Cypress logo, Spansion, the Spansion logo, and combinations thereof, WICED, PSoC, CapSense, EZ-USB, F-RAM, and Traveo are trademarks or registered trademarks of Cypress in the United States and other countries. For a more complete list of Cypress trademarks, visit cypress.com. Other names and brands may be claimed as property of their respective owners.

Contents



Safety Information	5
1 Introduction	6
1.1 CY3676 EVK Contents	6
1.2 Getting Started	7
1.3 Additional Learning Resources.....	7
1.4 Technical Support.....	7
1.5 Document Conventions	7
1.6 Acronyms.....	8
2 Software Installation	9
2.1 Before You Begin	9
2.2 Install Software	9
2.3 Install Hardware.....	12
2.4 Uninstall Software.....	12
3 Kit Operation	13
3.1 Theory of Operation.....	13
3.2 Functional Description	14
3.3 CY3676 EVK USB Connection	14
3.4 Programming the CY29412	15
3.5 Functional Programming of the CY29412.....	15
3.5.1 Generating and Programming the Device Configuration Profile	16
3.6 eFuse Programming of the CY29412	19
3.7 Custom Profile Generation	20
4 Hardware	21
4.1 Board Overview	21
4.2 Board Details	23
4.2.1 Default Jumper Settings	23
4.2.2 Power Settings.....	23
4.2.3 Functional Programming.....	23
4.2.4 LED Indicators	24
4.3 Evaluating Different I/O Standards Using the CY3676 EVK	24
5 Example Projects	26
A. Appendix	29
A.1. Termination Settings of Differential Clock Outputs	29
A.2. Schematics.....	30
A.3. Fabrication Drawing.....	34



Contents

A.4. Bill of Materials35

Revision History38

Document Revision History38

Safety Information



The CY3676 Evaluation Kit is intended for use as an evaluation platform for hardware or software in a laboratory environment. The board is an open system design, which does not include a shielded enclosure, so the board may cause interference to other electrical or electronic devices in close proximity. In a domestic environment, this product may cause radio interference. In such cases, the user may be required to take adequate preventive measures. Also, this board should not be used near any medical equipment or RF devices.

Attaching additional wiring to this product or modifying the product operation from the factory default may affect its performance and cause interference with other apparatus in the immediate vicinity. If such interference is detected, suitable mitigating measures should be taken.



The CY3676 Evaluation Kit contains electrostatic discharge (ESD)-sensitive devices. Electrostatic charges readily accumulate on the human body and any equipment, and can discharge without detection. Permanent damage may occur on devices subjected to high-energy discharges. Proper ESD precautions are recommended to avoid performance degradation or loss of functionality. Store unused CY3676 Evaluation Kit boards in the protective shipping package.

General Safety Instructions

ESD Protection

ESD can damage boards and associated components. Cypress recommends that the user perform procedures only at an ESD workstation. If ESD workstation is not available, use appropriate ESD protection by wearing an antistatic wrist strap attached to the chassis ground (any unpainted metal surface) on the board when handling parts.

Handling Boards

CY3676 Evaluation Kit is sensitive to ESD. Hold the board only by its edges. After removing the board from its box, place it on a grounded, static free surface. Use a conductive foam pad if available. Do not slide board over any surface.

Certification Disclaimer

This kit is intended for demonstration, evaluation or development purposes only and is not considered by Cypress Semiconductor to be a finished end-product fit for general consumer use. It generates and can radiate radio frequency energy and has not been specifically tested for CE certification compliance. Operation of this equipment in other environments may cause interference with radio communications, in which case the user at their own expense will be required to take whatever measures may be required to correct this interference.

1 Introduction



Thank you for your interest in the CY3676 Evaluation Kit (EVK). The CY3676 EVK is designed to enable you to evaluate the programmable clock device CY29412, the latest addition to programmable devices in Cypress's timing product portfolio. The CY29412 is a high performance programmable oscillator with one fractional PLL that generates any frequency up to 2.1 GHz with jitter as low as 110 fs. The device offers one differential output. The CY29412 comes in an 8-pin LCC package for industrial applications. The differential I/O standards supported are LVDS, LVPECL, High-Speed Current Steering Logic (HCSL) and Current Mode Logic (CML). The device also supports features like a Voltage-Controlled Crystal Oscillator (VCXO), and provides the user with an I²C programming interface.

The CY3676 EVK allows you to evaluate both AC and DC parameters of the output signals by making required on-board termination settings.

The CY3676 EVK is available through the [Cypress Online Store](#) or through our distributors.

1.1 CY3676 EVK Contents

The CY3676 EVK includes the following:

- CY3676 Evaluation Board
- USB Standard-A to Mini-B cable
- Quick Start Guide

Figure 1-1. CY3676 Kit Contents



Inspect the contents of the kit. If you find any part missing, contact your nearest Cypress sales office for assistance: www.cypress.com/support.

1.2 Getting Started

To learn the solution quickly and apply it to your design, refer to the CY3676 Quick Start Guide inside the kit box or in the Installation directory. The default location for the kit documents is:

```
<Install_Directory>\CY3676 Evaluation Kit\<version>\Documentation
```

This guide will help you get acquainted with the CY3676 EVK:

The [Software Installation](#) chapter describes the installation of the kit software.

The [Kit Operation](#) chapter describes the major features of CY3676 Evaluation Kit.

The [Hardware](#) chapter describes the hardware content of the CY3676 Evaluation Kit and the hardware operation.

The [Example Projects](#) chapter describes the multiple projects that will help you understand how to evaluate different supported output standards on this kit.

The [Appendix](#) captures DC/AC Measurements of Clock Outputs, Schematics, Fab Drawing, and the bill of materials (BOM).

1.3 Additional Learning Resources

Visit www.cypress.com/CY3676 and www.cypress.com/HPO for additional learning resources including datasheets and application notes.

1.4 Technical Support

For assistance, go to: www.cypress.com/support, or contact our customer support at +1(800) 541-4736 Ext. 2 (in the USA), or +1 (408) 943-2600 Ext. 2 (International).

1.5 Document Conventions

Table 1-1. Document Conventions for Guides

Convention	Usage
Courier New	Displays file locations, user entered text, and source code: C:\ ...cd\icc\
<i>Italics</i>	Displays file names and reference documentation.
[Bracketed, Bold]	Displays keyboard commands in procedures: [Enter] or [Ctrl] [C]
File > Open	Represents menu paths: File > Open > New Project
Bold	Displays commands, menu paths and icon names in procedures: Click the File icon and then click Open .
Times New Roman	Displays an equation: $2 + 2 = 4$
Text in gray boxes	Describes Cautions or unique functionality of the product.

1.6 Acronyms

Table 1-2. List of Acronyms used in this Document

Acronym	Definition
BOM	Bill of Materials
CML	Current Mode Logic
DNP, DNM	Do Not Populate, Do Not Mount
HCSL	High-Speed Current Steering Logic
I ² C	Inter-Integrated Circuit
JEDEC	Joint Electron Device Engineering Council
LDO	Low-Dropout
LVPECL	Low Voltage Positive Emitter Coupled Logic
LVPECL2	Low Voltage Positive Emitter Coupled Logic with zero Common-mode current
LVDS	Low Voltage Differential Signaling
OE	Output Enable
SMA	Subminiature Version A
VCXO	Voltage Controlled Crystal Oscillator
OTP	One-Time Programmable

2 Software Installation



This chapter describes the steps to install the software tools and packages on a PC for using the CY3676 Evaluation Kit.

2.1 Before You Begin

All Cypress software installations require administrator privileges. Ensure that you have the required privileges on the system for successful installation. Before you install the kit software, close any other Cypress software that is currently running.

2.2 Install Software

Follow these steps to install the CY3676 Evaluation Kit software:

1. Download the CY3676 Evaluation Kit software from www.cypress.com/CY3676. The software is available in the following formats:
 - a. **CY3676 Evaluation Kit Complete Setup:** This installation package contains the files related to the CY3676 Evaluation Kit. However, it does not include the Windows Installer or Microsoft .NET Framework packages. If these packages are not available on your computer, the installer directs you to download and install them from the Internet.
 - b. **CY3676 Evaluation Kit Only:** This executable file installs only the CY3676 EVK contents, which include example projects, hardware files, and user documents. This package can be used if all the software prerequisites (listed in **step 4**) are installed on your PC.
 - c. **CY3676 Evaluation Kit ISO:** This file is a complete package, stored in a CD/DVD-ROM image format that you can use to create a CD/DVD or extract using an ISO extraction program such as WinZip or WinRAR. The file can also be mounted similar to a virtual CD/DVD using virtual drive programs such as Virtual CloneDrive and MagicISO. This file includes all the required software, utilities, drivers, hardware files, and user documents.
2. If you have downloaded the ISO file, mount it on a virtual drive. If you do not have a virtual drive to mount, extract the ISO contents using the appropriate ISO extractor (such as MagicISO or PowerISO). Double-click *cyautorun.exe* in the root directory of the extracted content or the mounted ISO if the "Autorun from CD/DVD" option is not enabled on the PC. The installation window will appear automatically.

Note: If you are using the "Kit Complete Setup" or "Kit Only" file, then go to step 4 for installation.
3. Click **Install CY3676 EVK** to start the installation as shown in [Figure 2-1](#).

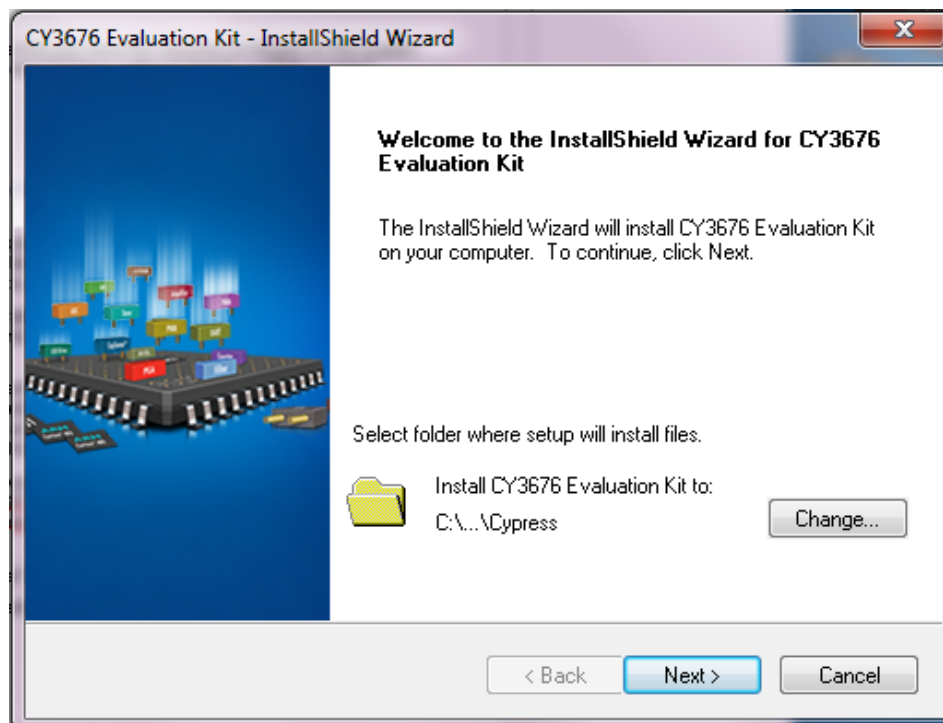
Figure 2-1. Installer Screen



4. Click **Change...** if you want to install the CY3676 EVK in a location other than the default, and then click **Next** as shown in Figure 2-2.

Note: When you click **Next**, the CY3676 EVK installer automatically installs the required software, if it is not present on your computer. The pre-requisites are ClockWizard 2.1 and PSoC Programmer 3.25.0 or later.

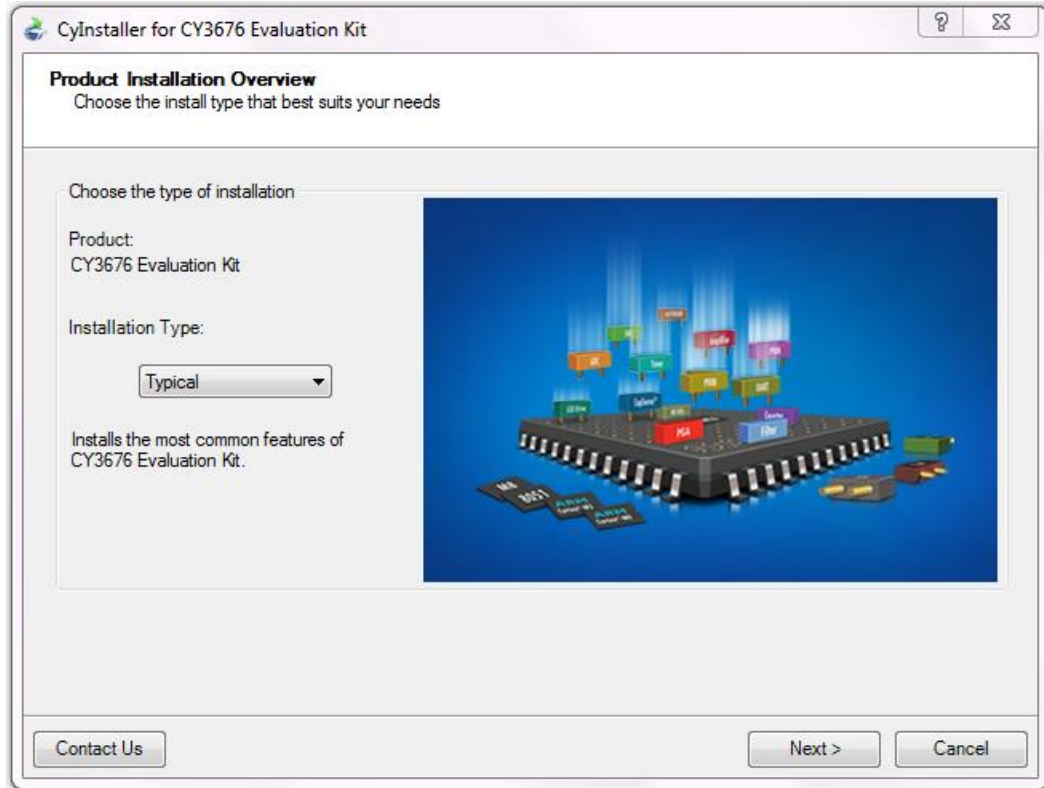
Figure 2-2. InstallShield Wizard



5. Select the **Installation Type** (see Figure 2-3). The drop-down menu contains three options: **Typical** (installs all the required features), **Custom** (lets you choose the features to be installed), and **Complete** (installs all the contents). Click **Next** after you select the Installation Type.

Note: It is recommended that you choose the **Typical** Installation Type.

Figure 2-3. Product Installation Overview



6. Read and accept the End-User License Agreement, and then click **Next**.

When the installation begins, a list of packages appears on the Installation page. A green check mark appears next to each package after successful installation.

7. Enter your contact information or select the **Continue Without Contact Information** check box.
8. Click **Finish** to complete the CY3676 EVK installation.

After the installation is complete, the kit contents are available in the following location:

<Install_Directory>\CY3676 Evaluation Kit\<version>.

Default location:

Windows 7 (64-bit): C:\Program Files (x86)\Cypress\CY3676 Evaluation Kit

Windows 7 (32-bit): C:\Program Files\Cypress\CY3676 Evaluation Kit

2.3 Install Hardware

No additional hardware installation is required for this kit.

2.4 Uninstall Software

You can uninstall the software using one of the following methods:

- Go to **Start > All Programs > Cypress > Cypress Update Manager > Cypress Update Manager**, and select the specific software package. Click the **Uninstall** button.
- Go to **Start > Control Panel > Programs and Features**, and select the specific software package. Click the **Uninstall/Change** button.

3 Kit Operation



The CY3676 EVK can be used to evaluate the CY29412, a high performance programmable oscillator. Connect the CY3676 kit through a USB cable to a PC running Cypress’s ClockWizard 2.1 software. The clock device CY29412 can be configured and programmed to generate frequencies with best-in-class performance.

3.1 Theory of Operation

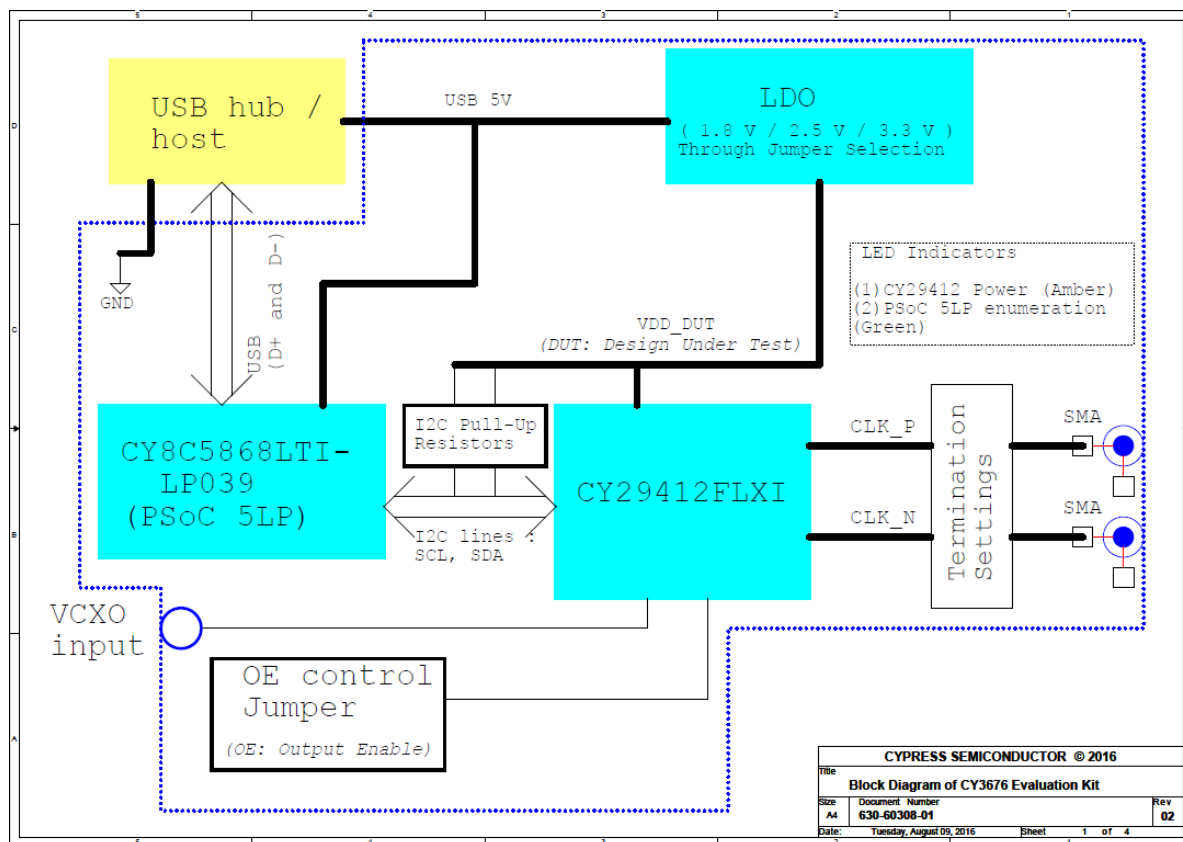
The CY3676 EVK offers one differential clock output for evaluation. The CY29412 device is available with a crystal embedded inside the package. There is no requirement for an external clock source or on-board crystal for this kit.

The kit is capable of generating fixed 3.3 V, 2.5 V, and 1.8 V voltages from a 5 V USB port. The on-board PSoC 5LP (U7) performs USB-to-I²C conversion. There is one power LED (LED2) driven from the 5 V USB supply and one status LED (LED1) controlled by the PSoC 5LP. The output of the LDO regulator (U8) is configurable (3.3 V, 2.5 V, or 1.8 V) through jumper J13.

Note: An additional on-board LDO (U9 – not shown here) generates a fixed 3.3 V supply for the PSoC 5LP in the **CY3676 Rev **** EVK. This feature has been changed in **CY3676 Rev *A** EVK where the PSoC 5LP is directly powered by 5V USB supply. The CY3676 kit revision is printed on the label at the back of the kit box.

Figure 3-1 illustrates the block diagram of the CY3676 EVK.

Figure 3-1. CY3676 EVK Block Diagram

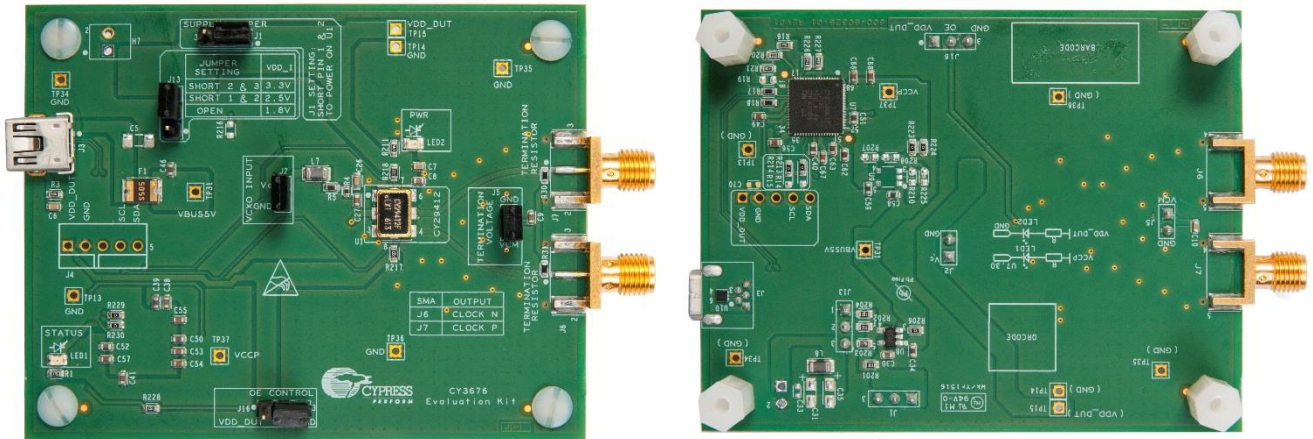


3.2 Functional Description

The differential clock outputs (J6, J7) are driven out on to SMA connectors. The EVK is populated with 50 Ω resistors (R30 and R31) for output termination. The termination options of the differential outputs in the evaluation board are listed in the [Hardware](#) chapter. These termination circuits are designed to terminate the output clocks in LVPECL, LVDS, HCSL, LVPECL2, and CML signal types by populating, or by not populating, the J5 jumper shunt.

Figure 3-2 illustrates the top and bottom view of the CY3676 EVK.

Figure 3-2. CY3676 EVK (Top View, Bottom View)



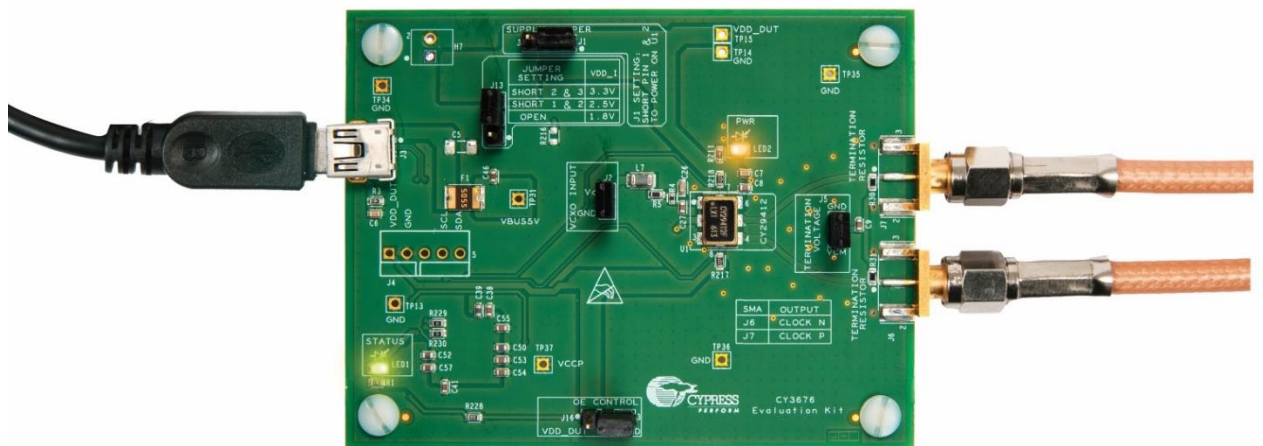
CY3676 EVK Top View

CY3676 EVK Bottom View

3.3 CY3676 EVK USB Connection

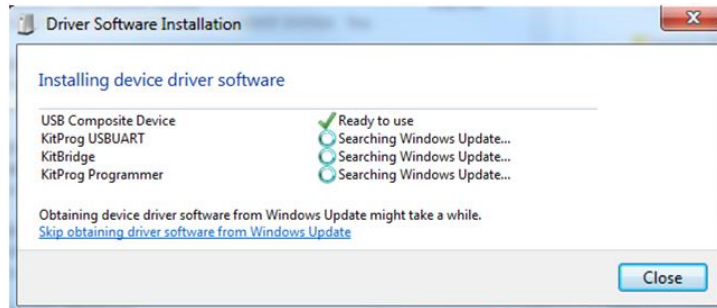
The clock device CY29412 on the kit is not loaded with any default configuration. To view and evaluate different configurations on an oscilloscope (or other standard instruments), the clock device must be programmed with the desired configuration. The ClockWizard 2.1 application is required for programming any configuration. Therefore, the kit should be connected (see [Figure 3-3](#)) to the PC through the USB connection for programming.

Figure 3-3. Kit Connected through USB



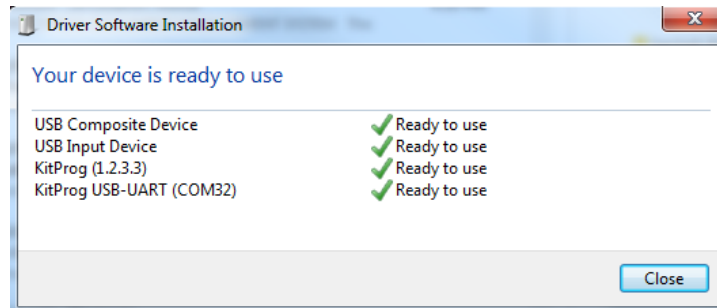
The kit enumerates as a USB Composite Device as part of the Driver Software Installation on Windows.

Figure 3-4. USB Driver Installation



After the driver installation is complete, the device is ready to use.

Figure 3-5. USB Driver Installation Complete



3.4 Programming the CY29412

The CY29412 device has internal one-time programmable (OTP) nonvolatile memory called eFuse. The device also contains volatile memory that stores an exact copy of the eFuse at the release of reset at power up. The output frequency depends on the configurations in the volatile memory. Writing the entire device configuration in the volatile memory section of a blank device after power up is called Functional Programming. The CY3676 kit is shipped with a blank CY29412 device. This kit can be used to check both the Functional and eFuse Programming of the device using ClockWizard 2.1. See [Functional Programming of the CY29412](#) and [eFuse Programming of the CY29412](#) for details.

3.5 Functional Programming of the CY29412

ClockWizard 2.1 is used for functional programming of the CY29412. A configuration created in ClockWizard 2.1 can be downloaded to the volatile memory section of the device.

The example ClockWizard 2.1 projects can be found at the following location:

<Install_Directory>\CY3676 Evaluation Kit\<version>\Firmware\Example Projects

Configuration profiles generated from these projects can be used to evaluate the CY29412 device on the CY3676 EVK. Refer to [Functional Programming](#) for the kit's hardware settings prior to programming. It is recommended that you copy the example projects to another location if you want to make any modifications to the settings so that the default project is retained in the installation directory.

CAUTION

Before programming the CY3676 EVK through ClockWizard 2.1, it is recommended to go through the [Hardware](#) section of this user guide. The mismatch between the hardware settings and the ClockWizard 2.1 configuration may cause potential damage of the EVK. Specifically, the voltage setting on the kit selected with J13 must match the voltage setting within the configuration to be programmed.

3.5.1 Generating and Programming the Device Configuration Profile

The ClockWizard 2.1 is used to generate profiles and to perform functional programming of the device.

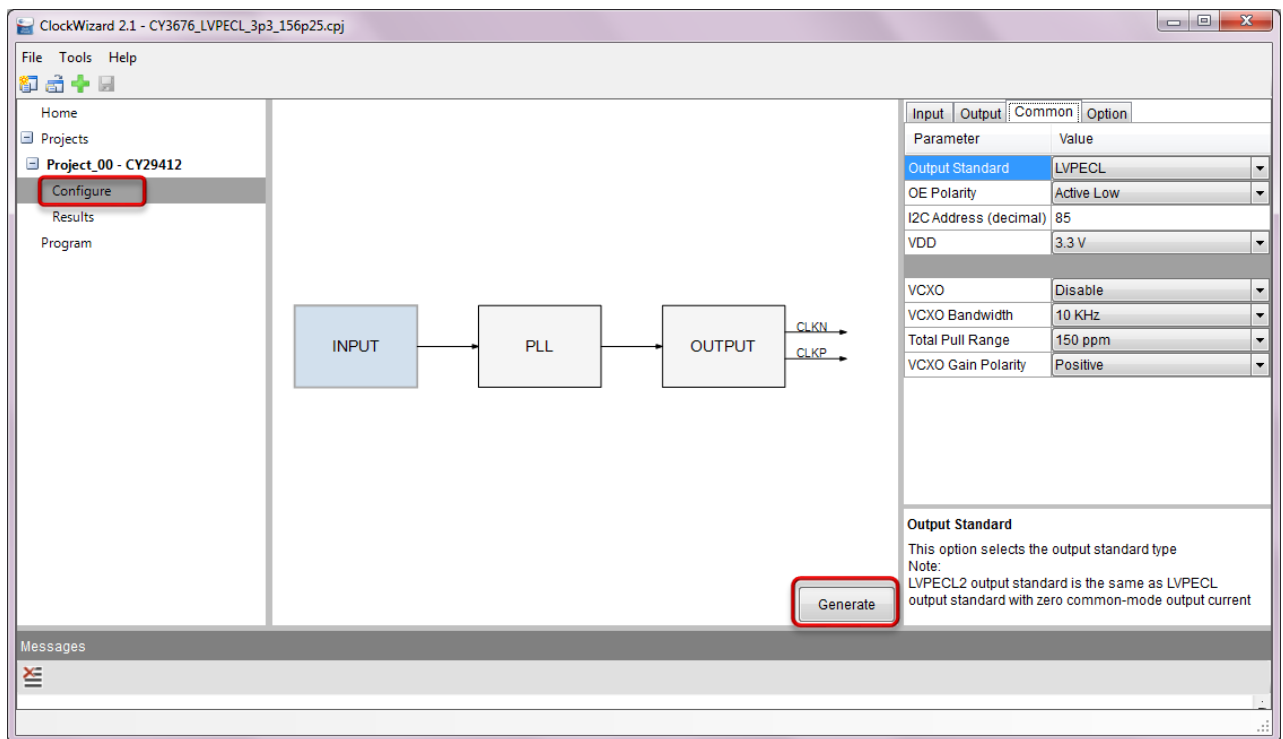
1. Verify that the power supply voltage jumper is set for the voltage used in the project that you intend to program. See the [Hardware](#) section for details.
2. Connect the CY3676 EVK to your PC through the supplied USB cable.
3. To launch the ClockWizard 2.1 application, go to **Start > All Programs > Cypress > ClockWizard 2.1**.

The workspace files are located in the Workspace folders. The four workspaces available are:

- *CY3676_LVPECL_3p3_156p25.cpj*
- *CY3676_LVDS_2p5_50.cpj*
- *CY3676_HCSL_2p5_100.cpj*
- *CY3676_HCSL_1p8_156p25.cpj*

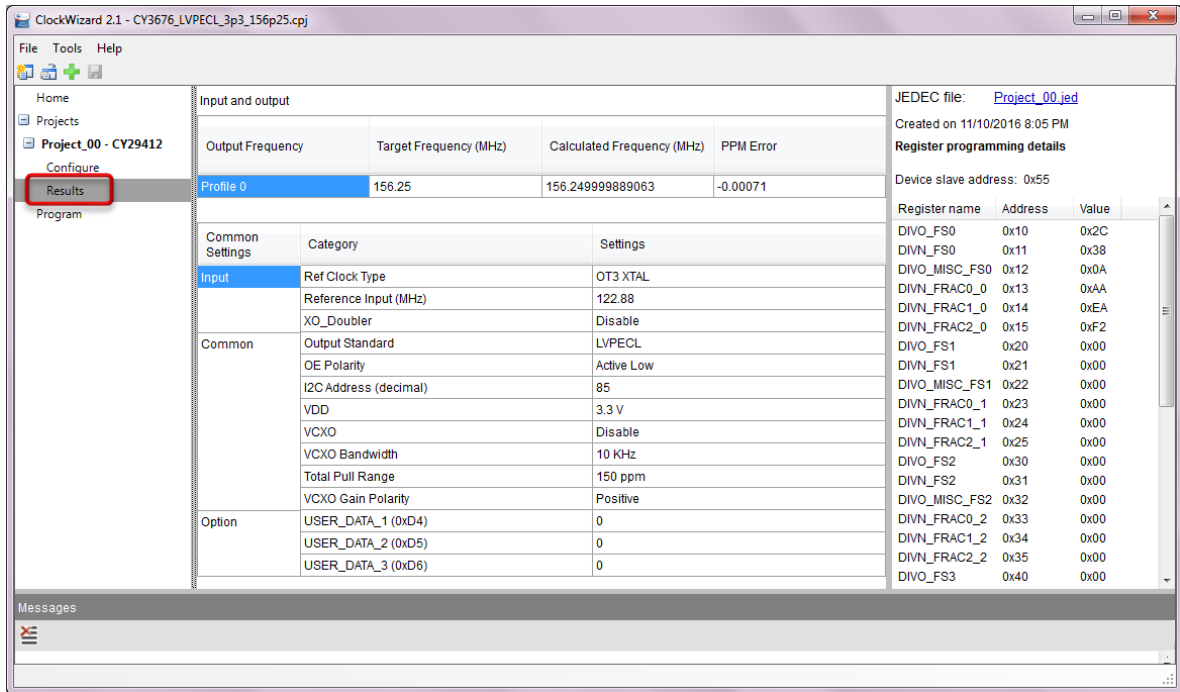
4. Select the **File** menu in ClockWizard 2.1, select **Open workspace**, browse the required workspace file with a *.cpj* extension, and then click **Open**. Each Workspace file can contain multiple projects.
5. Click **Configure**, as shown in [Figure 3-6](#).
6. Click the **Generate** button. This will generate the JEDEC file for the configuration selected. The various configuration parameters appear on the right panel of the block diagram in the tabbed interface. For more information on configuration parameters, refer to the ClockWizard 2.1 User Guide located in **Help > User guide** of the ClockWizard 2.1 software.

Figure 3-6. Generating a Configuration Profile using ClockWizard 2.1



7. Click **Results** to view the results generated from this configuration as shown in [Figure 3-7](#).

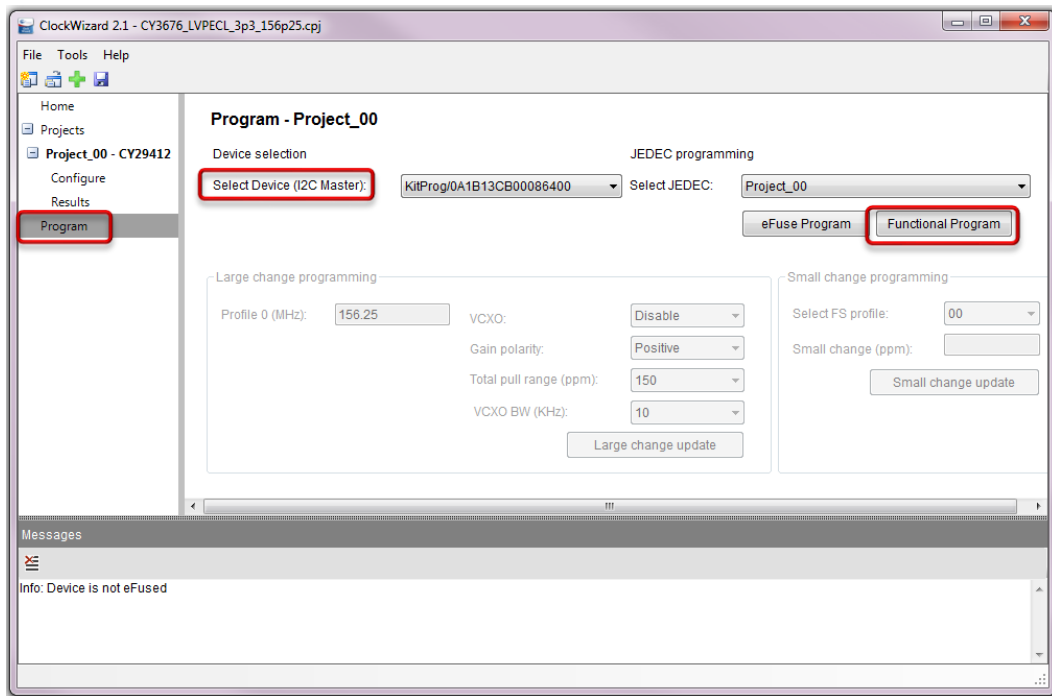
Figure 3-7. View Results Generated from the Configuration Profile using ClockWizard 2.1



- To program the CY29412 device, select **Program** in the left navigation pane, as shown in Figure 3-8. Choose the appropriate device in the **Select Device (I2C Master)** drop-down list prior to programming, and then click the **Functional Program** button. This will program the device directly from ClockWizard. LED1 blinks to indicate that the device is being programmed.

For more information, refer to the ClockWizard 2.1 User Guide located in **Help > User guide** of the ClockWizard 2.1 software.

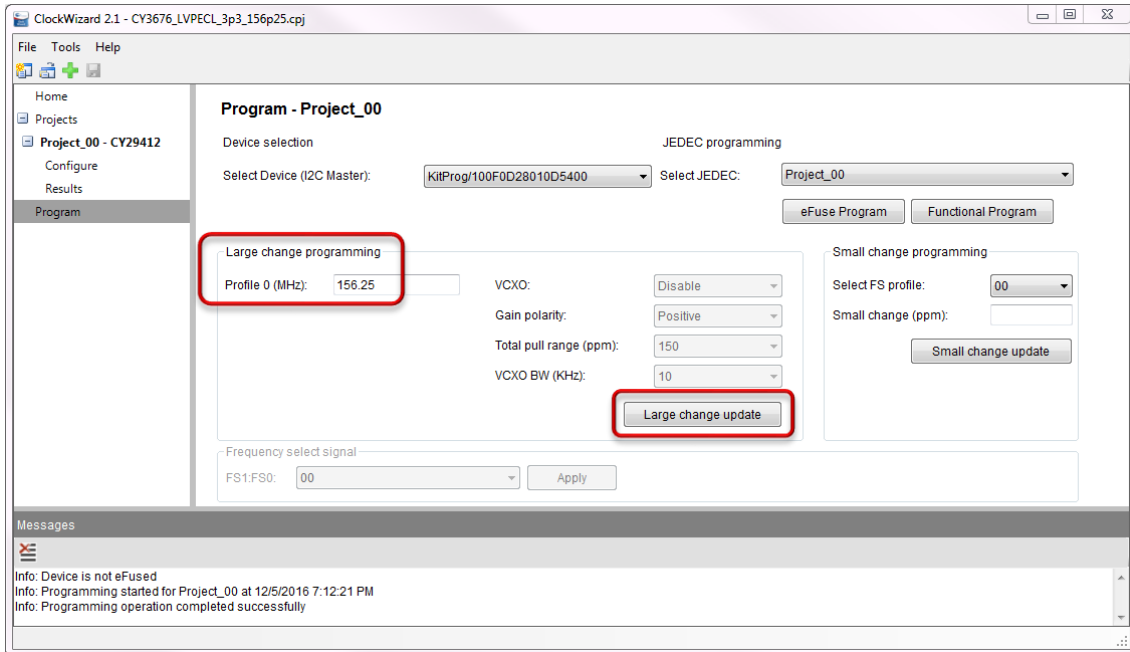
Figure 3-8. Programming Configuration Profile using ClockWizard 2.1



9. Executing the **Functional Program** operation will download the device configuration to the volatile memory. The required output will appear on the oscilloscope.
10. After functional programming the frequency values of the current *.cpj* are displayed in the **Profile 0 (MHz)** field (see [Figure 3-9](#)). You can change the frequency in this field. To make the changes effective, click **Large change update**. The expected output frequency will appear on the oscilloscope.

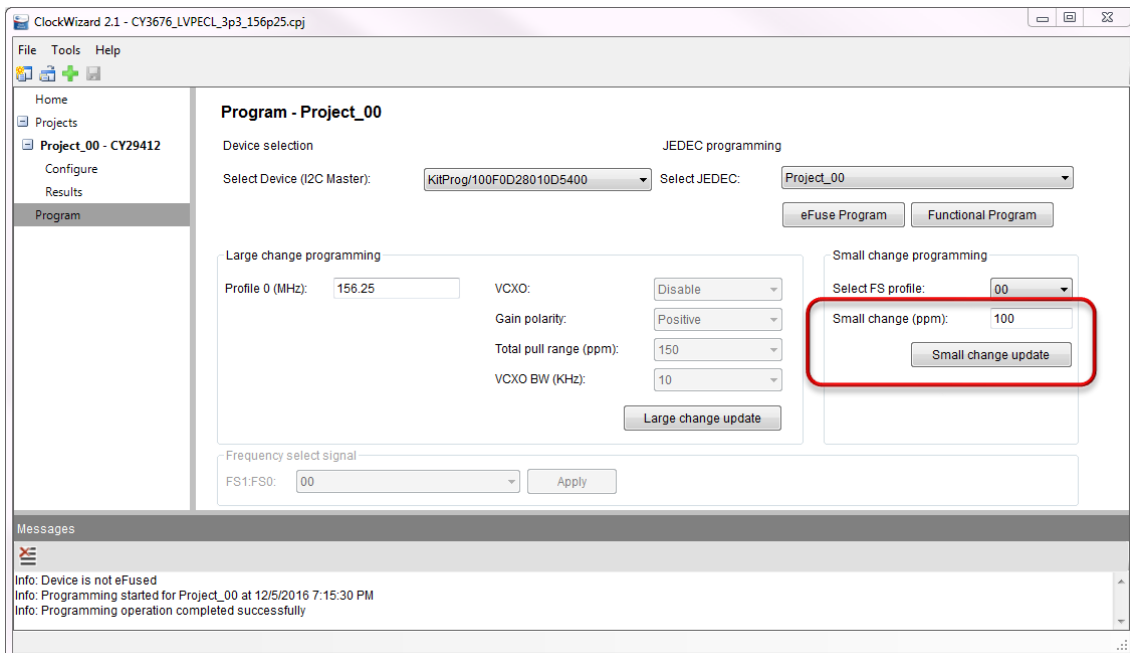
Note: Large change programming refers to the case where the frequency is changing more than ± 500 ppm.

Figure 3-9. Evaluation of Other Frequencies through Large Change Update



11. If you want to change the frequency less than ± 500 ppm, fill in the desired ppm in the **Small change (ppm)** field, and click on **Small change update**. An example is shown in [Figure 3-10](#).

Figure 3-10. Evaluation of Other Frequencies through Small Change Update

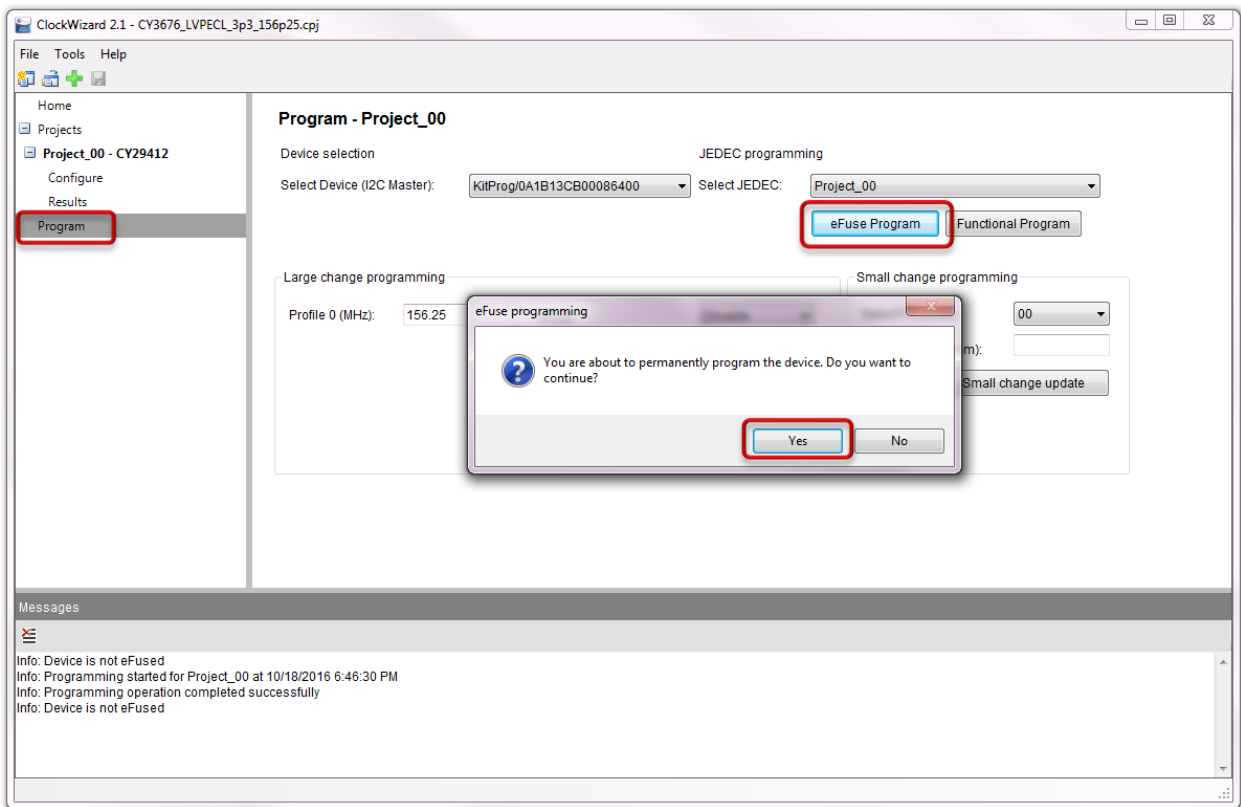


3.6 eFuse Programming of the CY29412

After functional programming and evaluation of different clock configurations, the user may choose to write the configuration to the non-volatile memory section of the device. The non-volatile memory of the CY29412 is a one-time programmable (OTP) eFuse. Any configuration after functional evaluation can permanently be written to the eFuse of the device. See [Figure 3-11](#) for the programming procedure.

Configure the device supply to 2.5 V before starting the eFuse programming. [Table 4-2](#) provides the hardware configuration (J13 settings) of CY3676 for setting the device supply to 2.5 V.

Figure 3-11. eFuse Programming using ClockWizard 2.1



CAUTION

Evaluate the configuration via functional programming prior to writing a configuration to the eFuse. The configuration cannot be modified or erased once it is written to the eFuse.

The CY29412 supply must be set to 2.5 V for eFuse programming. Setting the CY29412 supply to any other voltage during eFuse programming will cause potential damage of the device.

After the device is eFuse programmed, the user can change the output frequency through the following ways. Note that these changes will revert after a power cycle.

- **Large change programming:** Large change programming refers to the case where the frequency is changing more than ± 500 ppm. Enter the desired frequency in the Profile 0 (MHz) field, and click on Large change update. The device will recalibrate and reconfigure the internal circuit and the output will change to the desired frequency.
- **Small change programming:** Small change programming refers to the case where the frequency is changing less than ± 500 ppm. Enter the desired ppm in the Small change (ppm) field, and click on Small change update. The device will recalibrate and reconfigure the internal circuit and the output will change to the desired frequency.

It is recommended that you do not perform any Large change programming operation while performing Small change programming evaluation. In addition, you should not perform multiple Small change programming operations while evaluating Small change programming.

CAUTION

Follow one of these prior to performing Small change programming:

- Click the Functional Program button if the device is not eFuse-programmed.
- Apply power cycle if the device is eFuse programmed.

3.7 Custom Profile Generation

ClockWizard 2.1 should be used to generate custom configuration profiles. For details on how to create custom profiles, refer to the ClockWizard 2.1 User Guide located in **Help > User guide** of the ClockWizard 2.1 software.

To understand the output termination settings of different output standards (for example: LVPECL, HCSL, LVDS, or CML), refer to the [A.1. Termination Settings of Differential Clock Outputs](#) section.

4 Hardware

4.1 Board Overview

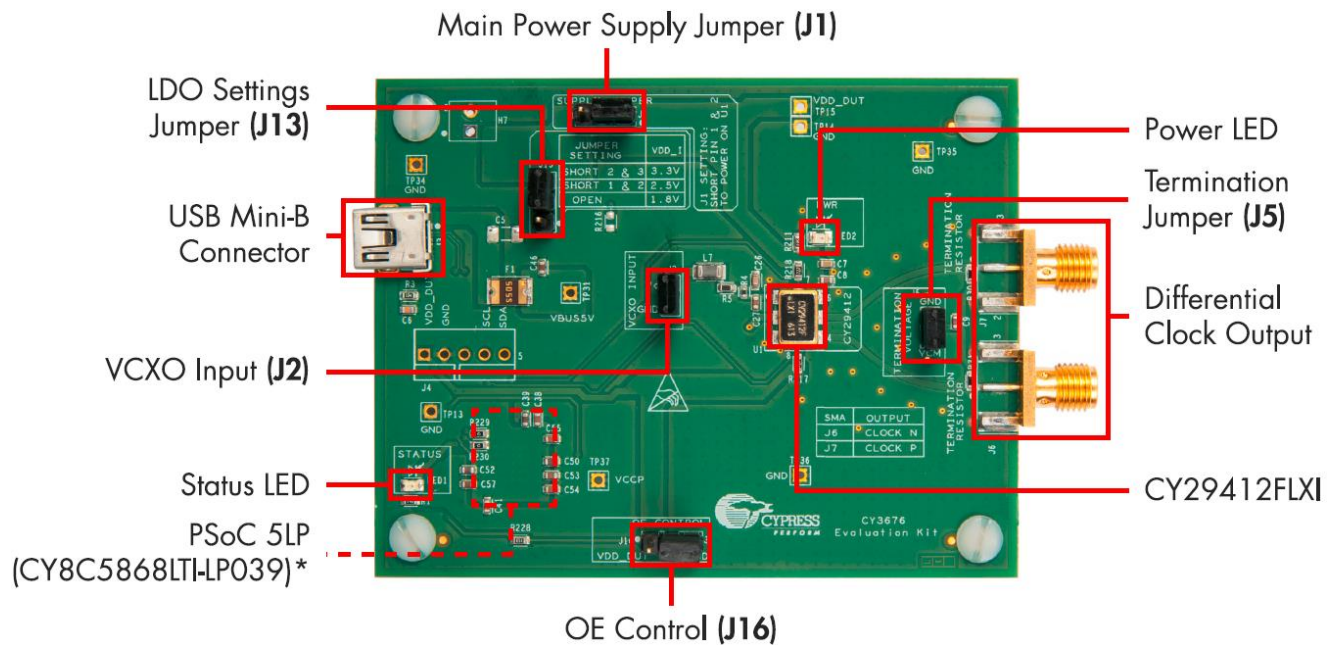
The CY3676 EVK is used for evaluating the CY29412 device.

Following are the key features of the CY3676 EVK:

- Powered from a USB port
- Jumper to configure on-board LDO output
- Jumper to short or isolate external connection for termination settings

Figure 4-1 illustrates the CY3676 EVK with a markup of the on-board components.

Figure 4-1. CY3676 EVK On-board Components



Note: * Components are on the bottom-side of the Evaluation Board.

Table 4-1: CY3676 EVK Onboard Components Description

Label Name	Description
CY29412FLXI	CY29412FLXI is the Cypress clock chip that is evaluated with the CY3676 EVK.
Main Power Supply Jumper (J1)	Short pin 1 and 2 of jumper J1 to power up the CY29412. The core supply and I/O supply are the same for the device.
LDO Settings Jumper (J13)	Set the J13 jumper settings as per Table 4-2 to set the LDO output voltage. Note: The brightness of LED2 will vary depending on the voltage selection. It will be brightest at 3.3 V and dimmest at 1.8 V.
USB Mini-B Connector	Connect the kit to a PC using the USB Standard-A to Mini-B cable.
VCXO Input (J2)	This jumper can be used to evaluate the VCXO operation of the CY29412 device. Vc (voltage at J2.1 pin) is by default set to 0 V via a jumper shunt. You can remove the shunt and instead apply an external power supply voltage (DC) to pin J2.1 to evaluate the VCXO operation. Cypress recommends that you contact our Technical Support team at www.cypress.com/support before connecting any external power supply to this jumper.
Status LED	This LED (LED1) turns ON after the USB enumeration is completed. This LED blinks during programming of the CY29412 device from a PC.
PSoC 5LP (CY8C5868LTI-LP039)	On-board PSoC 5LP device that converts the USB data-stream to I2C format to program the CY29412 device.
OE Control (J16)	Jumper to set the OE input of the CY29412 to enable or disable the clock output.
Differential Clock Output	Connect SMA cables to the SMA connectors (J6 and J7) on one end and to an oscilloscope on the other end.
Termination Jumper (J5)	The board has an on-board jumper (J5) to connect and disconnect output termination.
Power LED	This LED (LED2) turns ON when the CY29412 device is powered.

Table 4-2: J13 Jumper Settings

J13 Settings	LDO Output Voltage (Supply of CY29412)
Short pin 1 and 2	2.5 V
Short pin 2 and 3 (default)	3.3 V
Open	1.8 V

CAUTION The kit should strictly be operated from a USB supply by connecting to a PC. The PCB should not be powered by any external source. Application of an external power source to any of the jumper pins or test points will cause potential damage of the PCB.

To configure the device to a clock standard other than those specified in the example projects, or to apply a custom termination voltage, go to our support www.cypress.com/support web page, or e-mail at clocks@cypress.com.

Incorrect application of supply or termination voltage will cause performance degradation of the clock output. Prolonged incorrect operation may permanently damage the kit.

4.2 Board Details

4.2.1 Default Jumper Settings

The CY3676 EVK comes with default jumper settings that set the I/O and core supply voltages as 3.3 V.

Table 4-3 lists the default jumper settings.

Table 4-3: Default Jumper Settings on the Kit

Jumper	Default Settings	Selection
J1	Pin 1 and 2 are shorted	Power on CY29412.
J2	Pin 1 and 2 are shorted	VCXO input set to 0 V.
J5	Pin 1 and 2 are shorted	CY29412 output termination voltage set to 0 V through the 50 Ω termination resistors.
J13	Pin 2 and 3 are shorted	3.3 V selected for CY29412.
J16	Pin 2 and 3 are shorted	OE pin set to 0 V (logic '0').

4.2.2 Power Settings

The only power option of this EVK is 5V that comes from a USB port. The device has the same core and I/O supply voltage. The supply voltage of the device can be selected from on-board generated supplies of 1.8 V, 2.5 V, or 3.3 V.

Table 4-2 lists the hardware settings required for power selection.

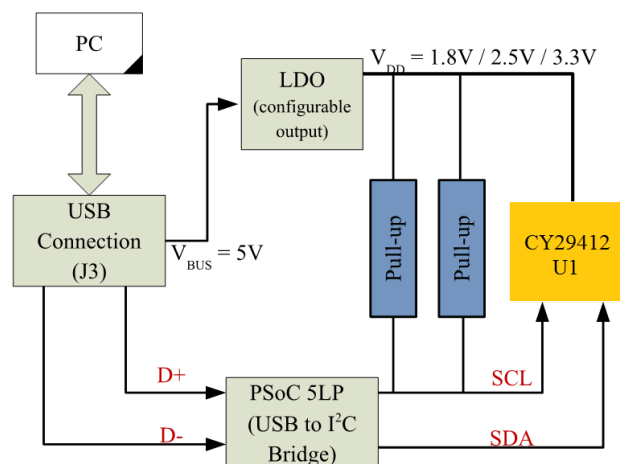
CAUTION The J13 selection must match with the software configuration of the supply voltage. Mismatch between the J13 setting and ClockWizard 2.1 setting may cause incorrect output or reliability problems with the device.

4.2.3 Functional Programming

The board should be connected to a PC through a USB connector to configure and program the device. Refer to the [CY3676 EVK USB Connection](#) section to learn how to connect the kit to a PC.

Figure 4-2 illustrates the programming section of the kit.

Figure 4-2. Programming the CY29412 Device



The USB interface provides a 5 V power supply. The PSoC 5LP converts the JEDEC profiles into an I²C-compatible format, which is then loaded into the CY29412 clock device.

Note: During functional programming, set the power supply of the CY29412 device (hardware settings) the same as in the ClockWizard 2.1 configuration (software settings). Table 4-2 provides the supply settings for CY29412. During eFuse programming, set the power supply of the CY29412 to 2.5V.

The [Example Projects](#) section provides the examples projects (.cpj files) created in ClockWizard 2.1.

4.2.4 LED Indicators

Table 4-4: LED Indicators

LED	Label	Indicator	Description
LED1	USB_PWR_LED	USB Power and Status Indicator	<p>This LED turns ON when the kit is connected to the USB port on a PC using the cable provided.</p> <p>If this LED does not turn ON, it indicates that the USB enumeration of the kit did not happen with the host PC. This LED blinks continuously when the device is being programmed through the PSoC 5LP device.</p> <p>Note: This LED may glow with low intensity under the following condition: The CY29412 supply is disconnected through jumper J1. This low-intensity LED glow may be misleading to the user on the status of the USB connection to the board. It is, therefore, recommended to avoid this condition during usage of the kit.</p>
LED2	POWER_LED	Clock Device Power	<p>This LED turns ON when the core of the CY29412 device is powered. Ensure that a jumper shunt is populated or not populated on J13 as per Table 4-2 for proper supply of the CY29412.</p> <p>The intensity of the LED for 1.8 V is lower when compared to 2.5 V and 3.3 V.</p>

4.3 Evaluating Different I/O Standards Using the CY3676 EVK

The CY29412 device has one differential clock output pair (*CLOCK P* and *CLOCK N*). The onboard components of the CY3676 outputs can be configured to different settings for evaluating different clock standards.

Figure 4-3 and Table 4-5 provide the on-board components related to CY29412 output clocks.

Figure 4-3. CY3676 Output Termination Settings

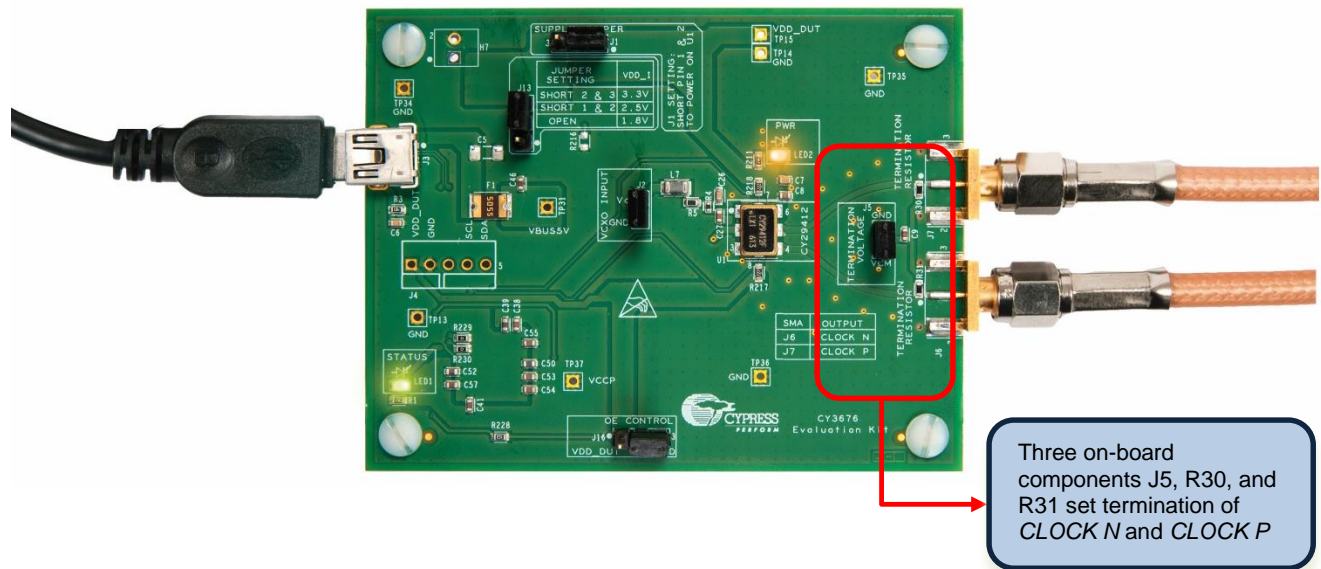


Table 4-5: CY29412 Clock Outputs

Clock Output	CY29412 Pin	SMA Connector on CY3676	Resistor to Set Termination (50 Ω)
<i>CLOCK P</i>	5	J7	R30
<i>CLOCK N</i>	4	J6	R31

The CY29412 device supports LVPECL, LVDS, HCSL, and CML differential output types. R30 and R31 are the output termination resistors. The termination settings are controlled by the J5 jumper shunt. The typical laboratory setup for the evaluation of this kit is shown in [Figure 4-4](#).

See Table 4-6 to set correct on-board termination option of *CLOCK P* and *CLOCK N*.

Table 4-6: J5 Jumper Settings to Terminate Differential Clock Outputs

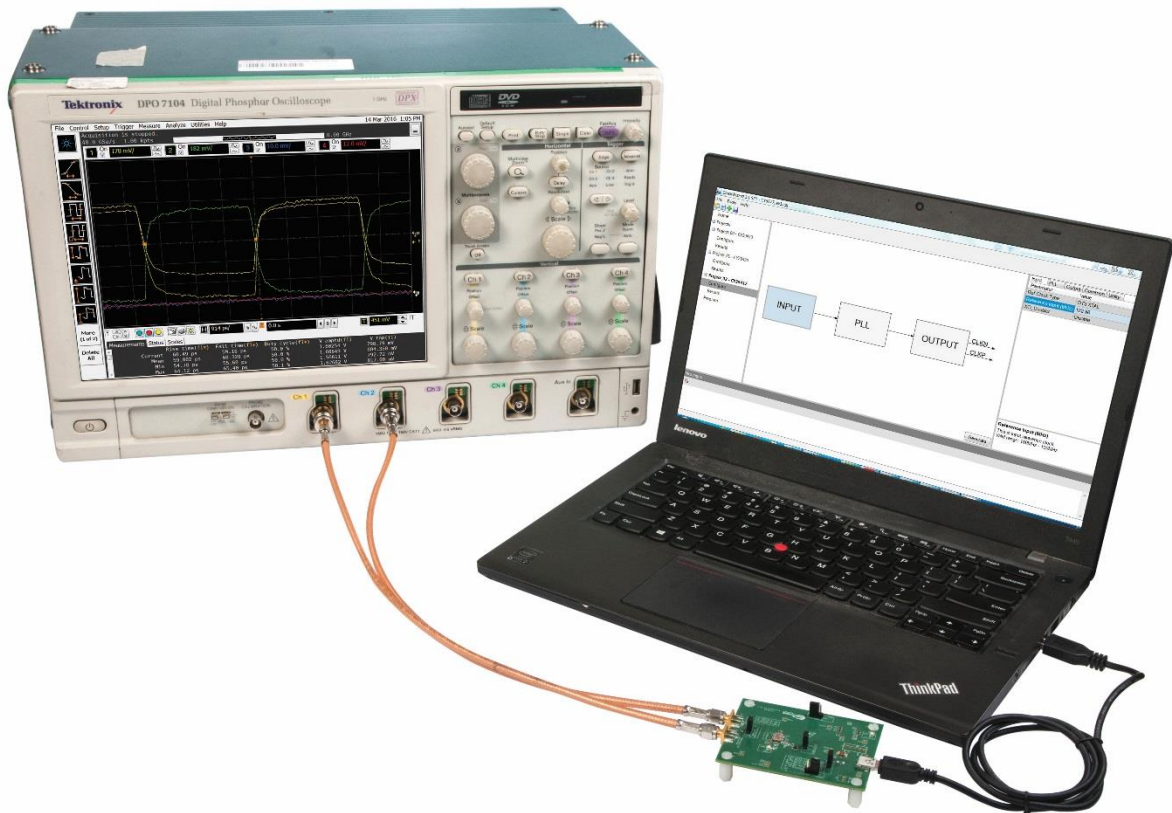
IO Standard	J5 Jumper Position	Description
LVPECL, HCSL	Short	<i>CLOCK P</i> and <i>CLOCK N</i> termination voltage set to 0 V through the 50 Ω termination resistors.
LVDS	Open	100 Ω differential impedance between the <i>CLOCK P</i> and <i>CLOCK N</i> .

CAUTION

If the user wants to configure this kit to any other mode, or any other termination setup, it is recommended to contact our support through the www.cypress.com/support web page, or e-mail at clocks@cypress.com.

J5 should not be powered by any external source. Connection of external power source may damage the EVK.

Figure 4-4. CY3676 EVK Connected to Oscilloscope



5 Example Projects



The CY3676 EVK can be evaluated using example projects that configure the device with different output types and frequencies. Each example project corresponds to a particular device configuration. This section provides the configuration details of each example project. The configurations generated from the example projects need to be downloaded to the device and to be evaluated with on-board termination options. All the example projects are located at:

<Install_Directory>\CY3676 Evaluation Kit\<version>\Firmware\Example Projects

The device is not loaded with any default configuration. To evaluate the example projects, follow the steps described in the [Programming the CY29412](#) section and refer to the Hardware and Software settings provided in [Table 5-1](#) for programming and evaluation.

Table 5-1: Example Projects Details

Software Configurations			Hardware Settings			Evaluation in Oscilloscope	
Example Projects	I/O Type	VDD	J13 Jumper Position	J5 Jumper Position	Setup	Output Frequency (MHz)	Expected Peak-to-Peak Voltage (mV)
CY3676_LVPECL_3p3_156p25.cpj	LVPECL	3.3V	2 and 3	Short	Connect SMA cables to J6 and J7, and connect the other ends to an oscilloscope.	156.25	375 to 450
CY3676_HCSL_2p5_100.cpj	HCSL	2.5V	1 and 2	Short		100	375 to 430
CY3676_LVDS_2p5_50.cpj	LVDS	2.5V	1 and 2	Open		50	40 to 50
CY3676_HCSL_1p8_156p25.cpj	HCSL	1.8V	Open	Short		156.25	340 to 400

The peak-to-peak voltage provided in [Table 5-1](#) will vary with different types of oscilloscope probes, scope-termination, and type of coupling used during measurement. These measurements are done using an 8 GHz oscilloscope, SMA cables, 50-Ω scope termination, and DC coupling. Sample example project outputs are shown in [Figure 5-1](#) through [Figure 5-4](#).

Figure 5-1. LVPECL 3.3 V, 156.25 MHz Clock Measured with DC Coupling, 50-Ω Scope Termination



Figure 5-2. HCSL 2.5 V, 100 MHz Clock Measured with DC Coupling, 50-Ω Scope Termination



Figure 5-3. LVDS 2.5 V, 50 MHz Clock Measured with DC Coupling, 50-Ω Scope Termination



Figure 5-4. HCSL 1.8 V, 156.25 MHz Clock Measured with DC Coupling, 50-Ω Scope Termination



The example projects provide instruction guidelines for the three I/O standards (HCSL, LVPECL, and LVDS). Other than these I/O standards, the CY29412 supports other standards such as CML and LVPECL2. Evaluation of these two standards need additional laboratory setup and oscilloscope adjustments. Cypress recommends that you contact Cypress Technical Support through www.cypress.com/support web page, or e-mail at clocks@cypress.com if you are evaluating CML, or LVPECL2 I/O standard or want to use different coupling, or any other termination voltage that is not part of these example projects.

Any of the four example projects provided in this document, or a project created by the user can be permanently programmed to the eFuse section of the device. Refer to the [eFuse Programming of the CY29412](#) section for required guidelines on using this feature.

A. Appendix

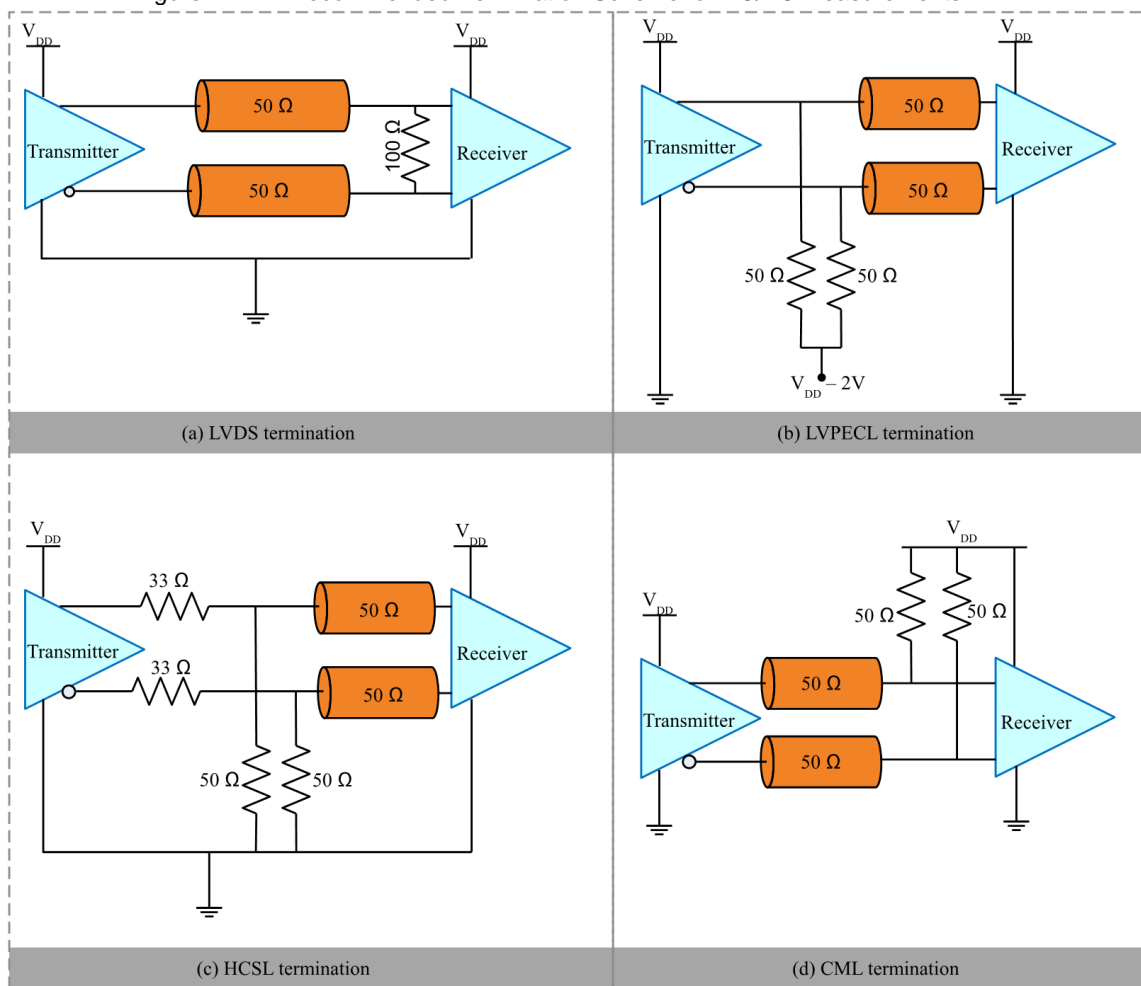


A.1. Termination Settings of Differential Clock Outputs

The CY29412 device supports four high-speed differential I/O standards.

Figure A-1 illustrates industry standard termination techniques for reference.

Figure A-1. Recommended Termination Scheme for DC/AC Measurements



The desired output measurement can be done using an SMA cable connected to an oscilloscope. SMA offers an extra 50 Ω to the oscilloscope ground, which should be taken into account while doing measurements. This kit does not have any on-board series termination or AC coupling options. Cypress recommends contacting Cypress Technical Support through www.cypress.com/support web page, or e-mail at clocks@cypress.com, if you want to evaluate any output with series termination or with AC coupling.

A.2. Schematics

Figure A-2. Sheet 1 – Block Diagram

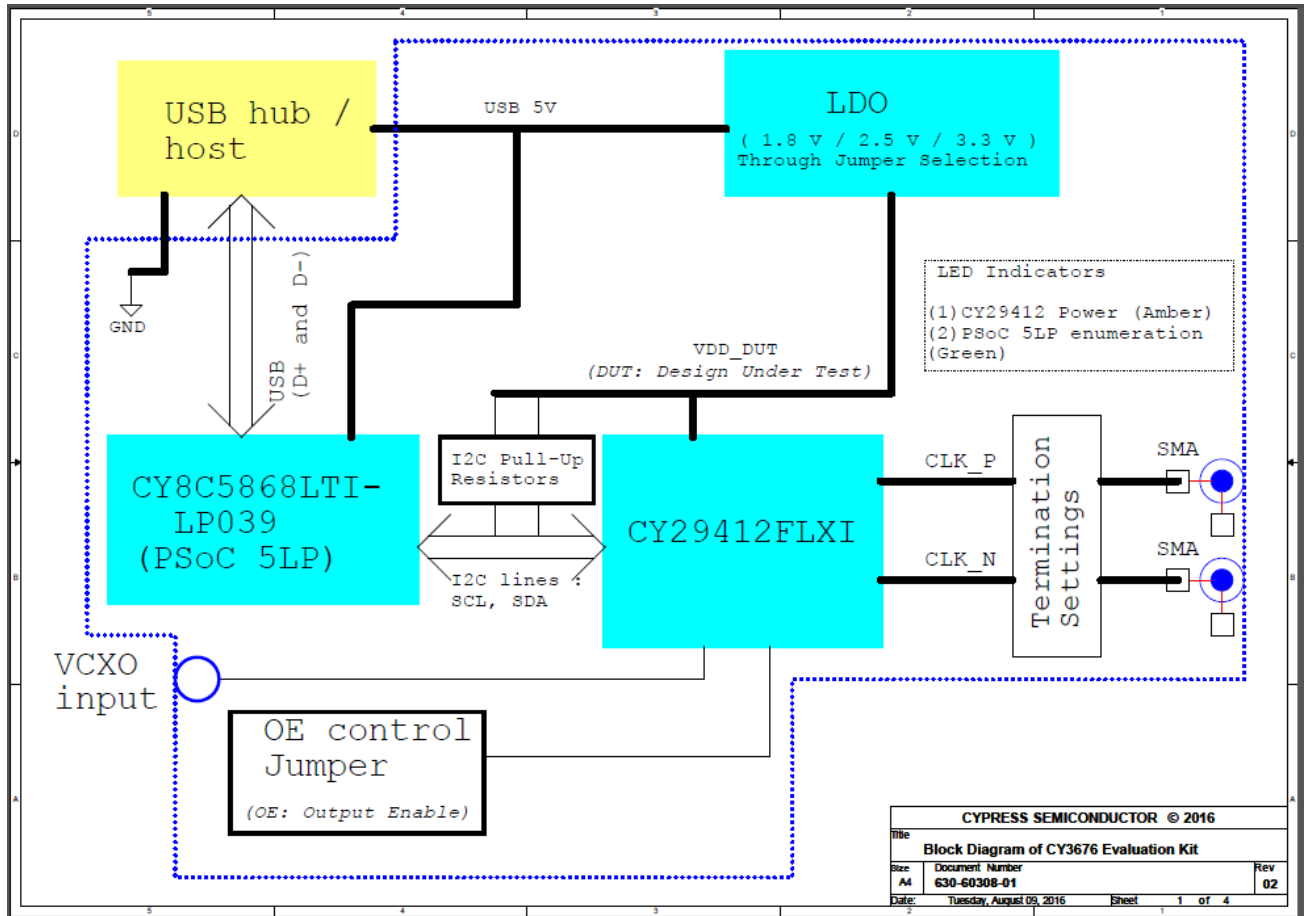


Figure A-3. Sheet 2 – Power Supply Design and LED Indicators

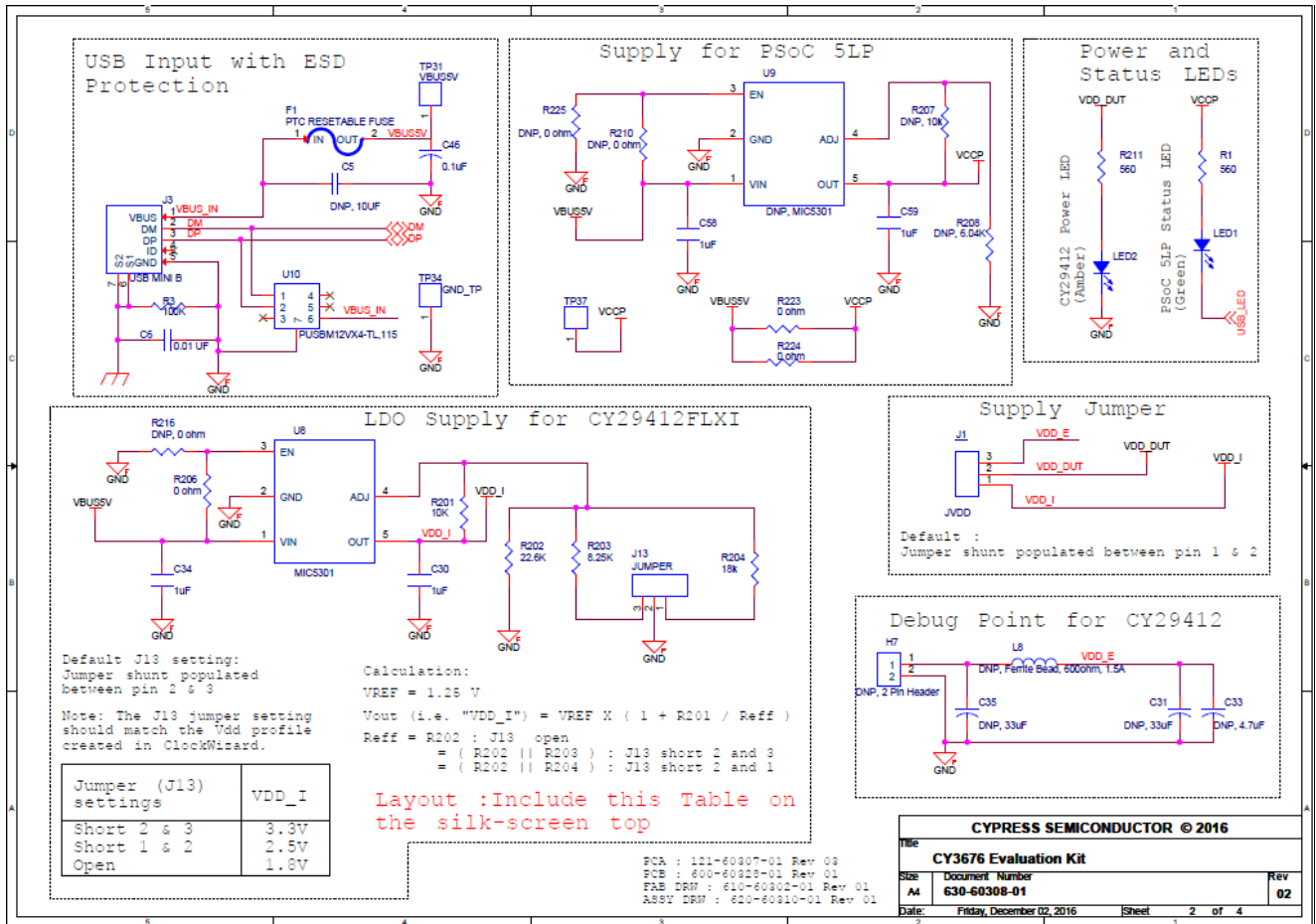
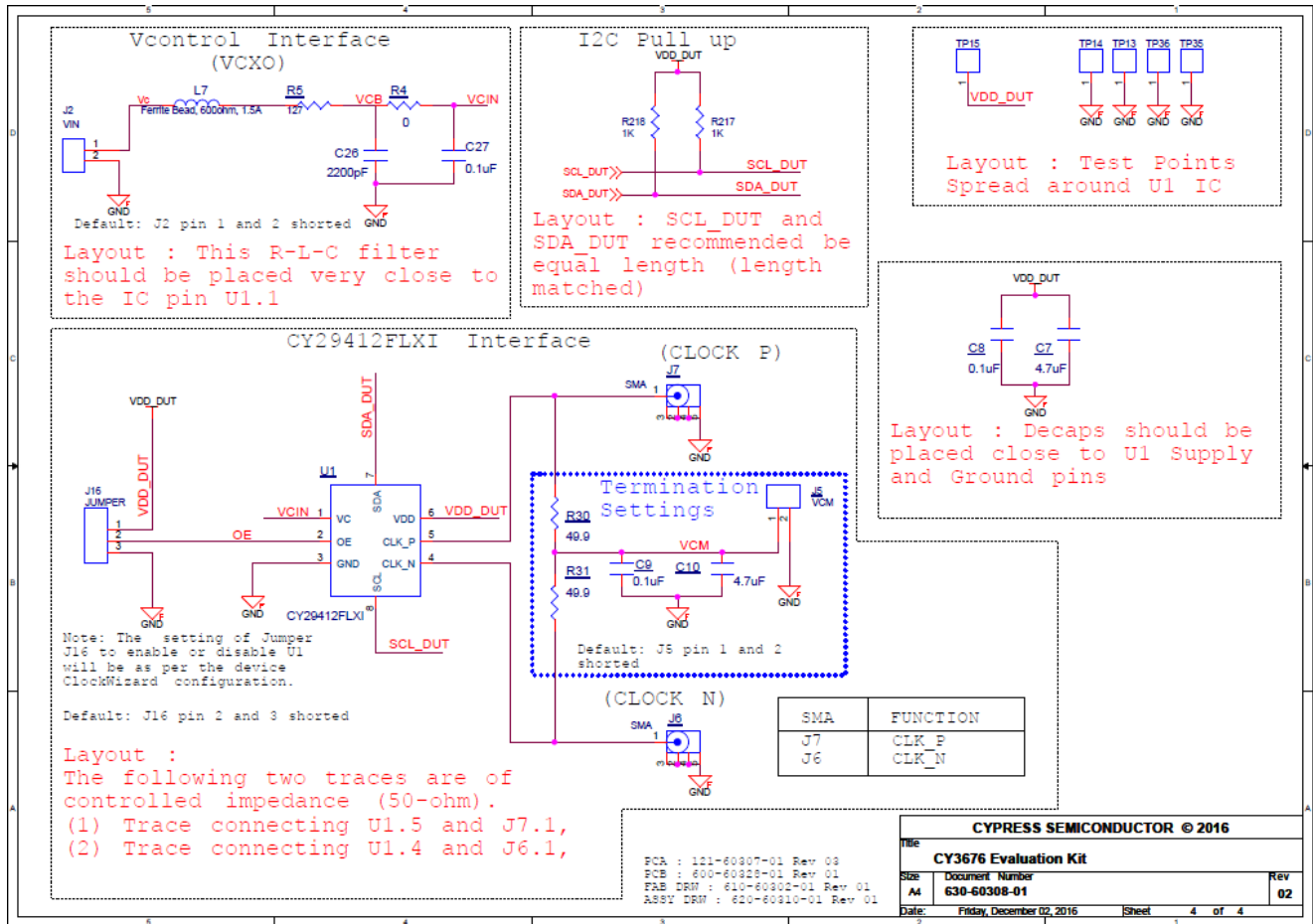
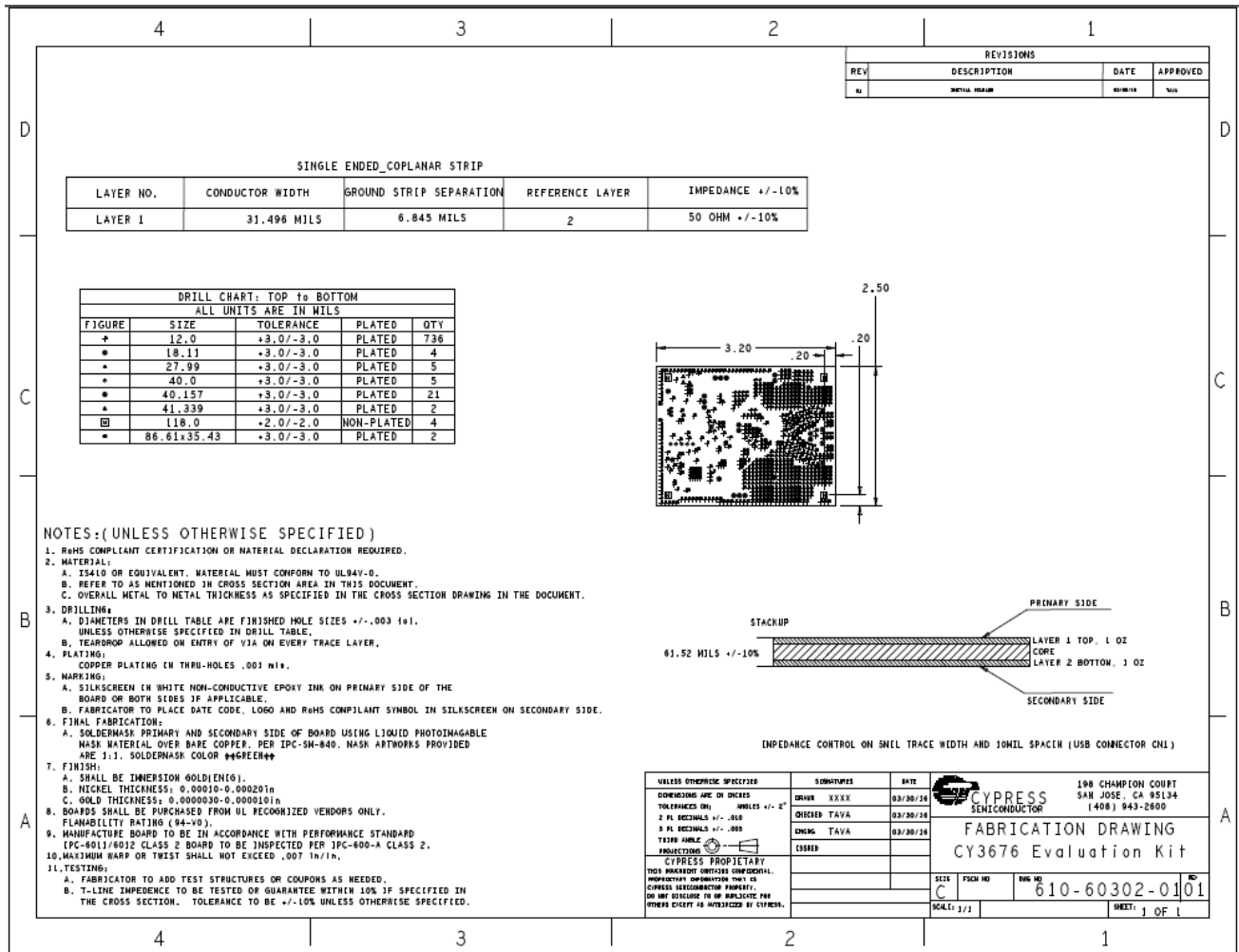


Figure A-5. Schematics – CY29412



A.3. Fabrication Drawing

Figure A-6. Fabrication Drawing



A.4. Bill of Materials

Table A-1. Bill of Materials

Item	Quantity	Reference	Value	Description	Manufacturer	Manufacturing Part Number
1	1	C6	0.01 uF	CAP CER 10000PF 50V 10% X7R 0603	Murata Electronics	GRM188R71H103KA01D
2	2	C7,C10	4.7uF	CAP CER 4.7UF 6.3V X5R 0603	Murata Electronics	GRM188R60J475KE19D
3	15	C8,C9,C27,C38,C41,C46,C49,C53,C54,C55,C56,C57,C66,C67,C68	0.1uF	CAP CER 0.1UF 50V Y5V 0603	Yageo	CC0603ZRY5V9BB104
4	1	C26	2200pF	CAP CER 2200PF 50V NP0 0603	Murata Electronics	GRM1885C1H222JA01D
5	9	C30,C34,C39,C40,C50,C51,C52,C58,C59	1UF	CAP CER 1UF 25V 10% X5R 0603	Taiyo Yuden	TMK107BJ105KA-T
6	1	F1	PTC RESETABLE FUSE	PTC RESETTABLE .50A 15V 1812	Bourns Inc.	MF-MSMF050-2
7	3	J1, J13, J16	JUMPER	CONN HEADR BRKWAY .100 03POS STR	TE Connectivity AMP Connectors	9-146280-0-03
8	1	J2	VIN	CONN HEADR BRKWAY .100 02POS STR	TE Connectivity AMP Connectors	9-146280-0-02
9	1	J5	VCM	CONN HEADR BRKWAY .100 02POS STR	TE Connectivity AMP Connectors	9-146280-0-02
10	1	J3	USB MINI B	MINI USB RCPT R/A DIP	TE Connectivity AMP Connectors	1734510-1
11	2	J6,J7	SMA	CONN SMA JACK 50 OHM EDGE MNT	Cinch Connectivity Solutions Johnson	142-0701-801
12	1	LED1	LED Green	LED GREEN CLEAR 0805 SMD	Visual Communications Company - VCC	CMD17-21VGC/TR8
13	1	LED2	LED Amber	LED AMBER CLEAR 0805 SMD	Bivar Inc.	SM0805AC
14	1	L7	FERRITE CHIP 600 OHM 1.5A	FERRITE CHIP 600 OHM 1500MA 1206	Murata Electronics	BLM31PG601SN1L
15	2	R30,R31	49.9	RES SMD 49.9 OHM 0.1% 1/10W 0603	Panasonic Electronic Components	ERA-3AEB49R9V
16	2	R1,R211	560	RES SMD 560 OHM 5% 1/10W 0603	Panasonic Electronic Components	ERJ-3GEYJ561V
17	1	R3	100K	RES SMD 100K OHM 5% 1/10W 0603	Panasonic Electronic Components	ERJ-3GEYJ104V
18	1	R4	0	RES SMD 0.0 OHM JUMPER 1/10W (0402pkg)	Panasonic Electronic Components	ERJ-2GE0R00X
19	1	R5	127	RES SMD 127 OHM 1% 1/10W 0603	Panasonic Electronic Components	ERJ-3EKF1270V
20	3	R16,R226,R228	15K	RES SMD 15K OHM 5% 1/10W 0603	Panasonic Electronic Components	ERJ-3GEYJ153V
21	2	R17,R18	22	RES SMD 22 OHM 1% 1/10W 0603	Panasonic Electronic Components	ERJ-3EKF22R0V
22	3	R20,R21,R227	30K	RES SMD 30K OHM 5% 1/10W 0603	Panasonic Electronic Components	ERJ-3GEYJ303V

Table A-1. Bill of Materials

Item	Quantity	Reference	Value	Description	Manufacturer	Manufacturing Part Number
23	1	R201	10k	RES SMD 10K OHM 1% 1/10W 0603	Yageo	RC0603FR-0710KL
24	1	R202	22.6K	RES SMD 22.6K OHM 1% 1/10W 0603	Yageo	RC0603FR-0722K6L
25	1	R203	8.25K	RES SMD 8.25K OHM 1% 1/10W 0603	Yageo	RC0603FR-078K25L
26	1	R204	18k	RES SMD 18K OHM 1% 1/10W 0603	Yageo	RC0603FR-0718KL
27	7	R206,R213,R214,R223,R224,R229,R230	0 ohm	RES SMD 0.0 OHM JUMPER 1/10W	Panasonic Electronic Components	ERJ-3GEY0R00V
28	2	R217,R218	1K	RES SMD 1K OHM 1% 1/10W 0603	Panasonic Electronic Components	ERJ-3EKF1001V
29	1	U1	CY29412FLXI	Clock generator, LCC package	Cypress	CY29412FLXI
30	1	U7	CY8C5868LTI-LP039 QFN68	CY8C5868LTI-LP039 QFN68	Cypress	CY8C5868LTI-LP039
31	1	U8	MIC5301	IC REG LDO ADJ 0.15A TSOT23-5	Microchip Technology	MIC5301YD5-TR
32	1	U10	PUSBM12VX 4-TL,115	TVS DIODE 5.5VWM 12VC 6HXSON	NXP Semiconductors	PUSBM12VX4-TL,115
Special Jumper Installation Instructions						
33	1	J1	Install jumper across pins 1 and 2	HW, CONN, Rectangular, MINI JUMPER, 6.5mm, CLOSE TYPE, BLACK, NICKEL	Sullins Connector Solutions	STC02SYAN
34	1	J2	Install jumper across pins 1 and 2	HW, CONN, Rectangular, MINI JUMPER, 6.5mm, CLOSE TYPE, BLACK, NICKEL	Sullins Connector Solutions	STC02SYAN
35	1	J5	Install jumper across pins 1 and 2	HW, CONN, Rectangular, MINI JUMPER, 6.5mm, CLOSE TYPE, BLACK, NICKEL	Sullins Connector Solutions	STC02SYAN
36	1	J13	Install jumper across pins 2 and 3	HW, CONN, Rectangular, MINI JUMPER, 6.5mm, CLOSE TYPE, BLACK, NICKEL	Sullins Connector Solutions	STC02SYAN
37	1	J16	Install jumper across pins 2 and 3	HW, CONN, Rectangular, MINI JUMPER, 6.5mm, CLOSE TYPE, BLACK, NICKEL	Sullins Connector Solutions	STC02SYAN
Labels						
38	1	N/A	N/A	LBL, PCA Label, Vendor Code, Datecode, Serial Number 121-60307-01 Rev 03 (YYWWVVXXXXX)	Cypress Semiconductor	
No Load Components						
39	3	C62,C63,C70	1UF	CAP CER 1UF 25V 10% X5R 0603	Taiyo Yuden	TMK107BJ105KA-T

Table A-1. Bill of Materials

Item	Quantity	Reference	Value	Description	Manufacturer	Manufacturing Part Number
40	1	C5	10UF	CAP TANT 10UF 16V 10% 1206	AVX Corporation	TAJA106K016R
41	2	C31,C35	33uF	CAP TANT 33UF 6.3V 20% 1206	Rohm Semiconductor	TCA0J336M8R
42	1	C33	4.7uF	CAP CER 4.7UF 6.3V X5R 0603	Murata Electronics	GRM188R60J475KE19D
43	1	H7	2 Pin Header	TE_640456-2 (2-pin Header)	TE Connectivity AMP Connectors	640456-2
44	1	J4	I2C HEADER	CONN HEADER 5POS .100 VERT TIN	Molex, LLC	22-23-2051
45	1	L8	FERRITE CHIP 600 OHM 1.5A	FERRITE CHIP 600 OHM 1500MA 1206	Murata Electronics	BLM31PG601SN1L
46	5	R14,R15,R216,R210,R225	0 ohm	RES SMD 0.0 OHM JUMPER 1/10W	Panasonic Electronic Components	ERJ-3GEY0R00V
47	1	R19	15K	RES SMD 15K OHM 5% 1/10W 0603	Panasonic Electronic Components	ERJ-3GEYJ153V
48	1	R208	6.04K	RES SMD 6.04K OHM 1% 1/10W 0603	Yageo	RC0603FR-076K04L
49	1	R207	10k	RES SMD 10K OHM 1% 1/10W 0603	Yageo	RC0603FR-0710KL
50	1	U9	MIC5301	IC REG LDO ADJ 0.15A TSOT23-5	Microchip Technology	MIC5301YD5-TR
51	8	TP13,TP14,TP15,TP31,TP34,TP35,TP36,TP37	BLACK	TEST POINT 43 HOLE 65 PLATED BLACK	Keystone Electronics	5001

Revision History



Document Revision History

Document Title: CY3676 Evaluation Kit User Guide			
Document Number: 002-11165			
Revision	Issue Date	Origin of Change	Description of Change
**	06/30/2016	TAVA	Initial version of the kit guide.
*A	12/08/2016	TAVA	Updated Theory of Operation , Programming the CY29412 , and Functional Programming . Updated Figure 3-1 , Figure 3-6 through Figure 3-11 , Figure A-2 , Figure A-3 , Figure A-4 , and Figure A-5 . Updated Table 5-1 . Added Figure 3-10 and Figure 5-1 through Figure 5-4 . Updated the table description for Item 38 in Table A-1 . Updated Copyright.