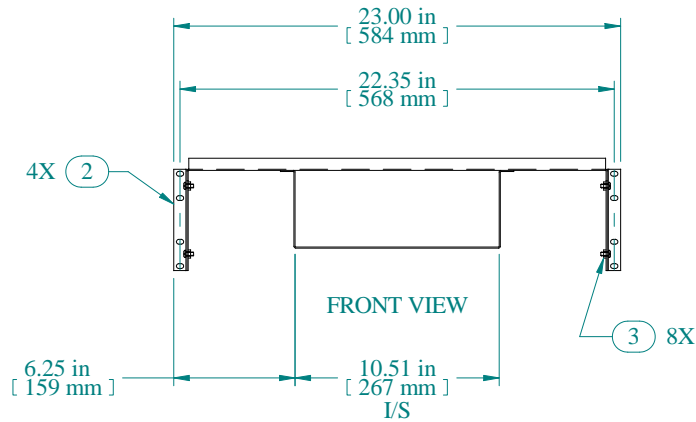
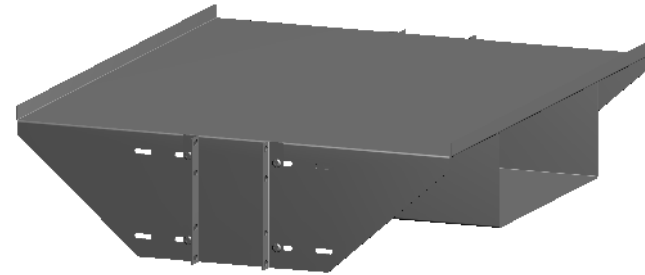
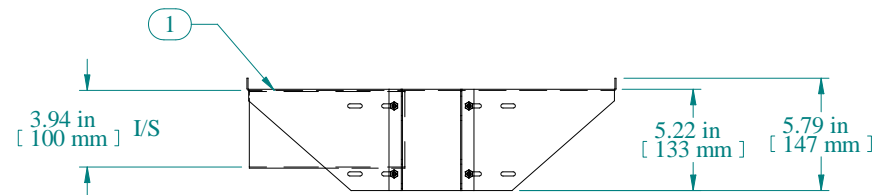


TOP VIEW



FRONT VIEW



SIDE VIEW

| Item Number | Title | Quantity |
|-------------|---|----------|
| 1 | DNRM - SHELF WITH ACCESSORY COMPARTMENT | 1 |
| 2 | DNRM - MTG BRACKET | 4 |
| 3 | 10-32 KEP NUT | 8 |
| 4 | SCREW 10-32 X 3/8 | 8 |

Data subject to change without notice. Isometric drawing not to scale.

| PART NUMBERS | |
|--------------|------------------------|
| DNRMM23BK1 | PAINTED BLACK TEXTURED |

| NOTES |
|--|
| Maximum Weight 300 lb Mounting Hardware Included for 10-32 & 12-24 Tapped Rails Some Assembly Required |



**HAMMOND
MANUFACTURING™**
www.hammondmfg.com
PART NO. DNRMM23