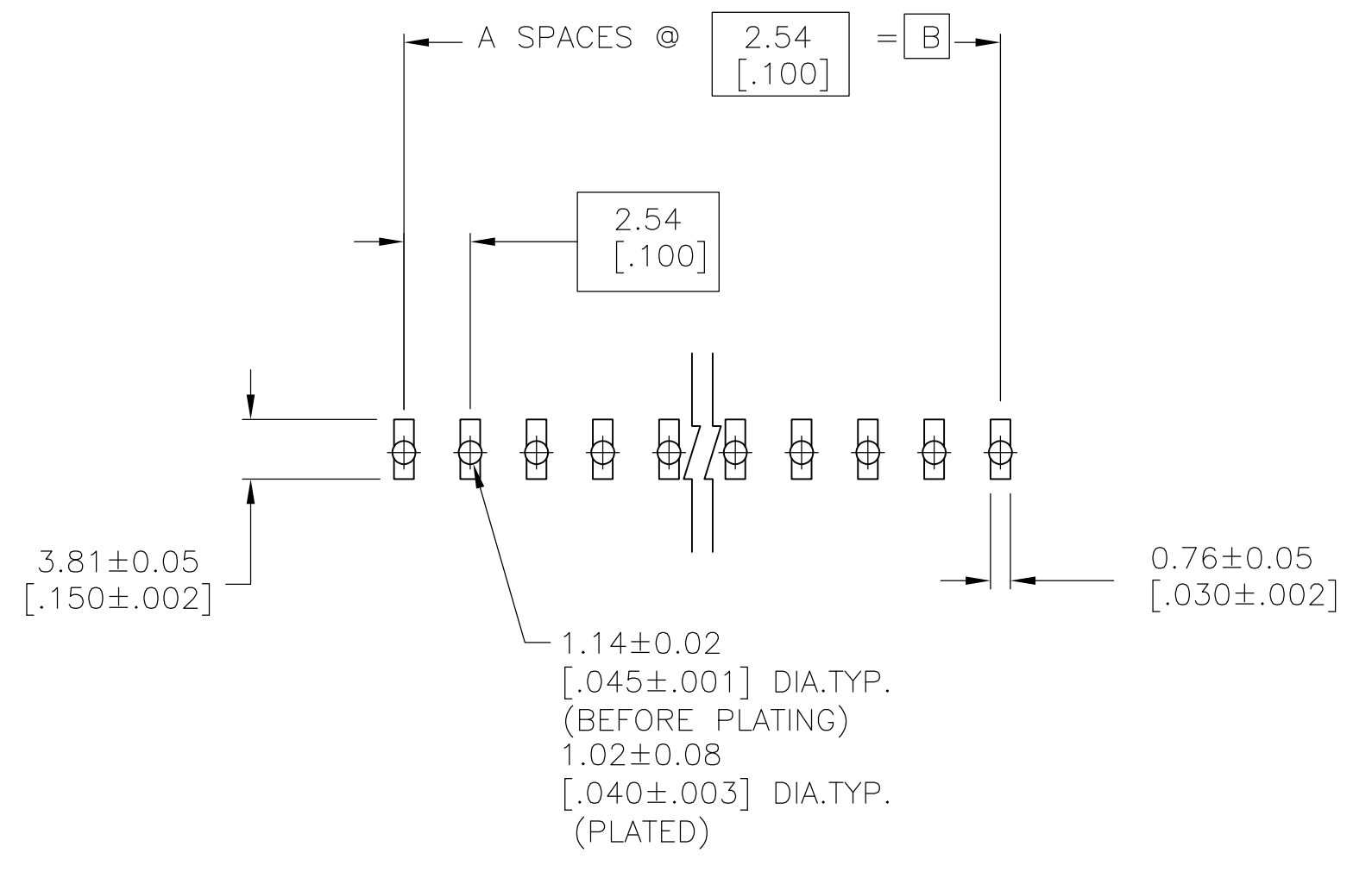
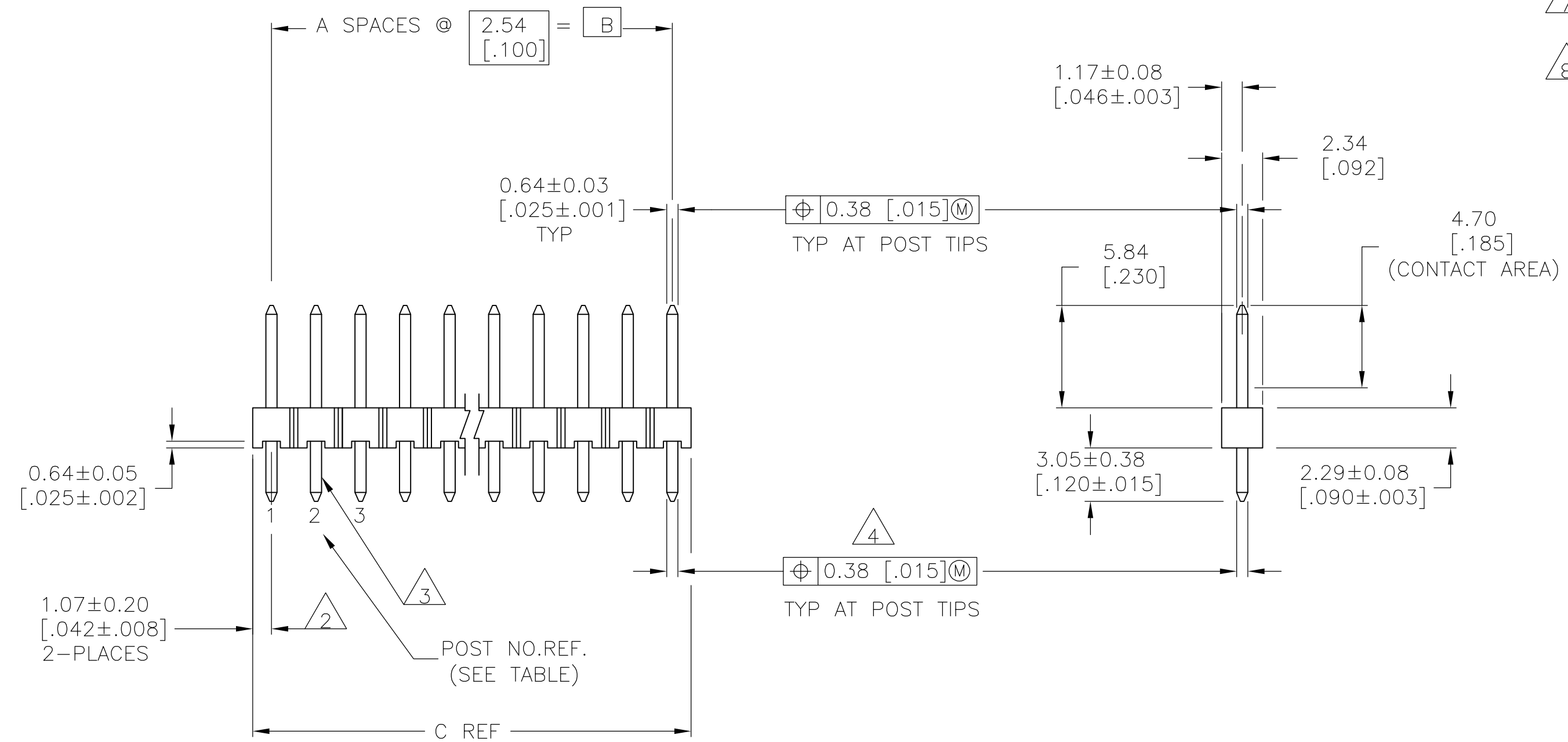


LOC		DIST		REVISIONS			
AD	00	REV	DATE	BY	CHK	APPV	
H	EC	063C	0828	04	17FEB05	BSV JLG	
H1		REVISED PER ECO-09-024717			05NOV09	KKK AEG	

1. TRUE POSITION TOLERANCE OF THE POST TIPS APPLIES WHEN THE HEADERS ARE HELD FLAT AGAINST THE PRINTED CIRCUIT BOARD.
2. THE NOTED DIMENSIONS APPLY AT THE INTERSECTION OF THE POST AND THE HOUSING.
3. RETENTION FEATURES ON SOLDER TAILS, LOCATED AT MANUFACTURERS OPTION.
4.  $\phi .020 \text{M}$  FOR KINKED TAILS.
5. 0.000127 [.000005] GOLD IN CONTACT AREA, 0.00254-0.00504 [.000100-.000200] MATTE TIN-LEAD ON SOLDER TAIL, ALL OVER 0.00127 [.000050] NICKEL.
6. HOUSING: LCP, COLOR-BLACK. POSTS: PHOSPHOR BRONZE
7. 0.000127 [.000005] GOLD IN CONTACT AREA, 0.00254-0.00504 [.000100-.000200] MATTE TIN ON SOLDER TAIL, ALL OVER 0.00127 [.000050] NICKEL.
8. OBSOLETE PARTS: OBSOLETE CIS STREAMLINING PER D.RENAUD/D.SINISI



RECOMMENDED PC BOARD MOUNTING DIMENSIONS FOR .063 [1.60] THICK PC BOARD AND .012 [.305] STENCIL THICK.

REV	DATE	DESCRIPTION	DATE	BY	CHK	APPV
5	101.19 [3.984]	99.06 [3.900]	39	40	4-146291-0	
5	98.65 [3.884]	96.52 [3.800]	38	39	3-146291-9	
5	96.11 [3.784]	93.98 [3.700]	37	38	3-146291-8	
5	93.57 [3.684]	91.44 [3.600]	36	37	3-146291-7	
5	91.03 [3.584]	88.90 [3.500]	35	36	3-146291-6	
5	88.49 [3.484]	86.36 [3.400]	34	35	3-146291-5	
5	85.95 [3.384]	83.82 [3.300]	33	34	3-146291-4	
5	83.41 [3.284]	81.28 [3.200]	32	33	3-146291-3	
5	80.87 [3.184]	78.74 [3.100]	31	32	3-146291-2	
5	78.33 [3.084]	76.20 [3.000]	30	31	3-146291-1	
5	75.79 [2.984]	73.66 [2.900]	29	30	3-146291-0	
5	73.25 [2.884]	71.12 [2.800]	28	29	2-146291-9	
5	70.71 [2.784]	68.58 [2.700]	27	28	2-146291-8	
5	68.17 [2.684]	66.04 [2.600]	26	27	2-146291-7	
5	65.63 [2.584]	63.5 [2.500]	25	26	2-146291-6	
5	63.09 [2.484]	60.96 [2.400]	24	25	2-146291-5	
5	60.55 [2.384]	58.42 [2.300]	23	24	2-146291-4	
5	58.01 [2.284]	55.88 [2.200]	22	23	2-146291-3	
5	55.47 [2.184]	53.34 [2.100]	21	22	2-146291-2	
5	52.93 [2.084]	50.80 [2.000]	20	21	2-146291-1	
5	50.39 [1.984]	48.26 [1.900]	19	20	2-146291-0	
5	47.85 [1.884]	45.72 [1.800]	18	19	1-146291-9	
5	45.31 [1.784]	43.18 [1.700]	17	18	1-146291-8	
5	42.77 [1.684]	40.64 [1.600]	16	17	1-146291-7	
5	40.23 [1.584]	38.10 [1.500]	15	16	1-146291-6	
5	37.69 [1.484]	35.56 [1.400]	14	15	1-146291-5	
5	35.15 [1.384]	33.02 [1.300]	13	14	1-146291-4	
5	32.61 [1.284]	30.48 [1.200]	12	13	1-146291-3	
5	30.07 [1.184]	27.94 [1.100]	11	12	1-146291-2	
5	27.53 [1.084]	25.40 [1.000]	10	11	1-146291-1	
5	24.99 [0.984]	22.86 [0.900]	9	10	1-146291-0	
5	22.45 [0.884]	20.32 [0.800]	8	9	146291-9	
5	19.91 [0.784]	17.78 [0.700]	7	8	146291-8	
5	17.37 [0.684]	15.24 [0.600]	6	7	146291-7	
5	14.83 [0.584]	12.70 [0.500]	5	6	146291-6	
5	12.29 [0.484]	10.16 [0.400]	4	5	146291-5	
5	9.75 [0.384]	7.62 [0.300]	3	4	146291-4	
5	7.21 [0.284]	5.08 [0.200]	2	3	146291-3	
5	4.67 [0.184]	2.54 [0.100]	1	2	146291-2	
5	2.13 [0.084]	-	0	1	146291-1	

8 OBSOLETE

SUPERSEDED BY 146267-1  
 OBSOLETE

THIS DRAWING IS A CONTROLLED DOCUMENT.

DIMENSIONS: mm [INCHES]	TOLERANCES UNLESS OTHERWISE SPECIFIED:	0 PLC ± -	1 PLC ± -	2 PLC ± 0.51[.02]	3 PLC ± 0.12[.005]	4 PLC ± 0.012[.0005]	ANGLES ± -
-------------------------	--	-----------	-----------	-------------------	--------------------	----------------------	------------

MATERIAL: 6 SEE TABLE

FINISH: SEE TABLE

APPROVALS:

DESIGNED BY: G. DUBNICZKI	DATE: 2/1/96	APPROVED BY: G. DUBNICZKI	DATE: 2/1/96
---------------------------	--------------	---------------------------	--------------

NAME: G. DUBNICZKI

PRODUCT SPEC: HEADER ASSEMBLY, MOD II, BREAKAWAY, SINGLE ROW, HIGH TEMPERATURE, VERTICAL WITH RETENTION FEATURE, W/.025 SQ. POSTS, .100 C/L

APPLICATION SPEC: -

SIZE: A1

SCALE: 4:1

WEIGHT: -

CAGE CODE: 00779

DRAWING NO: 146291

RESTRICTED TO: -

CUSTOMER DRAWING: -

SCALE: 4:1

SHEET: 1 OF 2

REV: H1

