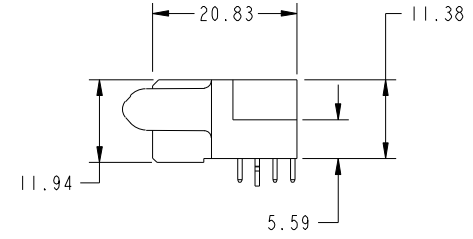
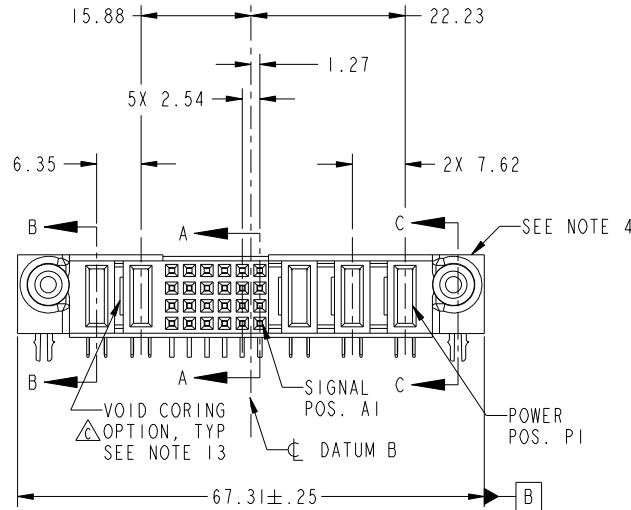
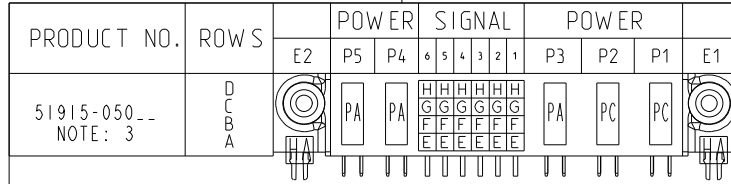


Tous droits strictement reserves. Reproduction ou communication a des tiers interdite sous quelque forme que ce soit sans autorisation écrite du propriétaire. Propriete de c FCI. Droits de reproduction FCI.



All rights strictly reserved. Reproduction or issue to third parties in any form whatever is not permitted without written authority from the proprietor. Property of FCI. Copyright FCI.



CODE	DIM "M" MATING LENGTH	CONTACT TYPE
E	[N/A]	SIGNAL
F	[N/A]	SIGNAL
G	[N/A]	SIGNAL
H	[N/A]	SIGNAL
PA	[1.07]	POWER
PC	[2.34]	POWER
HA	[N/A]	HOLD-DOWN

mat'l code				SEE NOTE 2		tolerances unless otherwise specified		CUSTOMER	
ltr	ecn no.	dr	date	linear	0.X ± 0.5	projection	COPY		
A	V04-0597	TAB	06/04/04	angles	0.XX ± 0.25		title		
B	DG05-0370	CS	09/30/05		0.XXX ± 0.10		3ACP + 24S + 2P		
C	DG07-0498	JW	09/15/08		0° + 2°	scale	R/A SOLDER RECEPTACLE		
				dr	T. BRUNGARD 06/04/04	1:1	product family	PwrBlade	code
				enr	M. GRAY 06/04/04		size		213
				chr	M. GRAY 06/04/04		dwg no	51915-050	sheet
				appd	M. GRAY 06/04/04		1 of 4		
sheet index	revision sheet	C	C	C	C				
		1	2	3	4				

FCI www.fciconnect.com

product family PwrBlade code 213

size dwg no 51915-050 sheet 1 of 4

cage code 22526

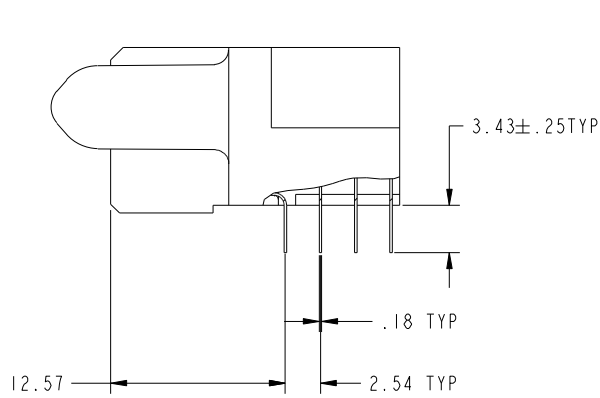
Pro/E

Tous droits strictement reserves. Reproduction ou communication a des tiers interdite sous quelque forme que ce soit sans autorisation ecrite du proprietaire. Propriete de c FCI. Droits de reproduction FCI.

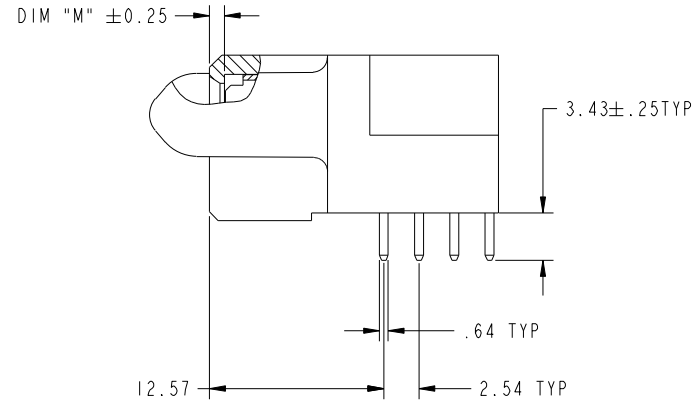


All rights strictly reserved. Reproduction or issue to third parties in any form whatever is not permitted without written authority from the proprietor. Property of FCI. Copyright FCI.

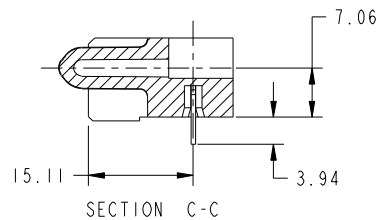
PRODUCT NUMBER
51915-050--
NOTE: 3



BROKEN-OUT SECTION A-A
SCALE 2:1



BROKEN-OUT SECTION B-B
SCALE 2:1



SECTION C-C

mat'l code		SEE NOTE 2		tolerances unless otherwise specified		CUSTOMER		 www.fciconnect.com		
ltr	ecr no.	dr	date	linear	0.X ± 0.5	COPY		title 3ACP + 24S + 2P R/A SOLDER RECEPTACLE		
C					0.XX ± 0.25	projection				
					0.XXX ± 0.10					
				angles	0 ± 2°	scale		product family	PwrBlade	code
				dr	T. BRUNGARD 06/04/04	1:1		size	A	213
				enr	M. GRAY 06/04/04			dwg no	51915-050	sheet
				chr	M. GRAY 06/04/04					2
				appd	M. GRAY 06/04/04					
sheet index	revision sheet									

cage code 22526

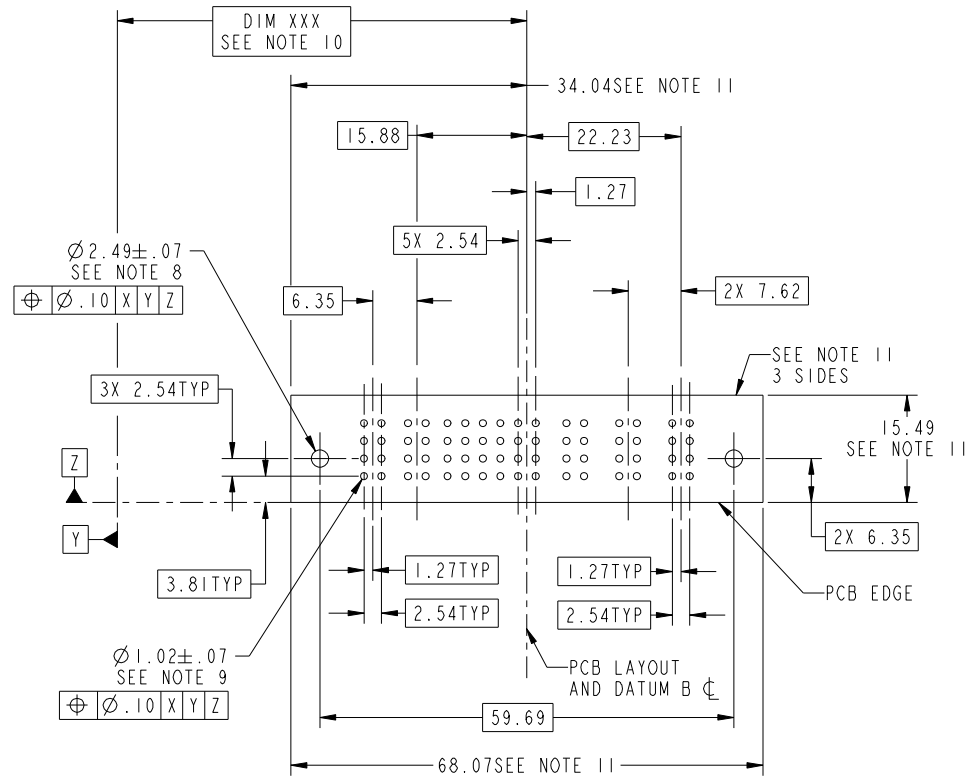
Pro/E

Tous droits strictement reserves. Reproduction ou communication a des tiers interdite sous quelque forme que ce soit sans autorisation écrite du propriétaire. Propriete de c FCI. Droits de reproduction FCI.



All rights strictly reserved. Reproduction or issue to third parties in any form whatever is not permitted without written authority from the proprietor. Property of FCI. Copyright FCI.

PRODUCT NUMBER
51915-050_-
NOTE: 3



mat'l code				SEE NOTE 2		tolerances unless otherwise specified		CUSTOMER		 www.fciconnect.com	
ltr	ecn no.	dr	date	linear	0.X ± 0.5	projection		COPY		title	
C					0.XX ± 0.25					3ACP + 24S + 2P R/A SOLDER RECEPTACLE	
				angles	0.XXX ± 0.10			product family		PwrBlade	code
				dr	T. BRUNGARD 06/04/04	scale		size	dwg no	213	sheet
				enr	M. GRAY 06/04/04	1:1		A	51915-050		3
				chr	M. GRAY 06/04/04						
				appd	M. GRAY 06/04/04						
sheet index	revision sheet										

cage code 22526

Pro/E

Tous droits strictement reserves. Reproduction ou communication a des tiers interdite sous quelque forme que ce soit sans autorisation écrite du propriétaire. Propriete de c FCI. Droits de reproduction FCI.



All rights strictly reserved. Reproduction or issue to third parties in any form whatever is not permitted without written authority from the proprietor. Property of FCI. Copyright FCI.

PRODUCT NUMBER
51915-050_-
NOTE: 3

NOTES:

1. DIMENSIONS AND TOLERANCES ARE IN ACCORDANCE WITH ASME Y14.5M, 1994 UNLESS OTHERWISE SPECIFIED.

CONNECTOR NOTES:

2. HOUSING MATERIAL: UL 94 V-0 GLASS FILLED
HIGH-TEMP THERMOPLASTIC
POWER CONTACT MATERIAL: COPPER ALLOY
SIGNAL PIN MATERIAL: COPPER ALLOY

3. PLATING:
SEE ITEM 5 & 6 IN PRINT 10064183 FOR PLATING SPEC OF 51915-050; 51915-050LF PRESPECTIVELY

4. MANUFACTURER'S NAME, P/N, AND DATE CODE TO APPEAR ON THIS SURFACE.

5. PRODUCT SPECIFICATION GS-12-149.
APPLICATION SPECIFICATION BUS-20-067.

6. PACKAGED IN TRAYS.

PCB NOTES:

7. ALL HOLE DIAMETERS ARE FINISHED HOLE SIZE.

8. MOUNTING HOLES, WHERE APPLICABLE, ARE UNPLATED.

9. $\varnothing 1.151 \pm 0.025$ DRILLED HOLES PLATED WITH
0.008 MIN SnPb OR Sn OVER 0.03
TO 0.08 Cu PLATING TO ACHIEVE
 $\varnothing 1.02 \pm .07$ HOLE.

10. "DIM XXX" TO BE DETERMINED BY THE CUSTOMER.

11. CONNECTOR KEEP-OUT ZONE.

12. A \triangle SYMBOL WILL BE NEXT TO ANY DIMENSION, VIEW, OR NOTE WHICH HAS BEEN MODIFIED WITH THE CURRENT DRAWING REVISION.

13. THE VOID CORING IN BETWEEN POWER MODULES, SIGNAL MODULES AND END MODULES ARE OPTIONAL AND THE SHAPE MAY BE DIFFERENT FOR OPTIMIZING THE MODING PROCESS THE VOID CORING WILL NOT EFFECT TO PRODUCT FUNCTION.

mat'l code				SEE NOTE 2		tolerances unless otherwise specified		CUSTOMER		www.fciconnect.com	
litr	ecr no.	dr	date	linear	0.X ± 0.5		COPY			title	
C					0.XX ± 0.25		projection			3ACP + 24S + 2P R/A SOLDER RECEPTACLE	
					0.XXX ± 0.10					product family PwrBlade code	
				angles	0° ± 2°		scale		size		
				dr	T. BRUNGARD	06/04/04	1:1		dwg no		
				enrg	M. GRAY	06/04/04	A		51915-050		
				chr	M. GRAY	06/04/04			sheet		
				appd	M. GRAY	06/04/04			4		
sheet index		revision sheet									

cage code 22526

Pro/E