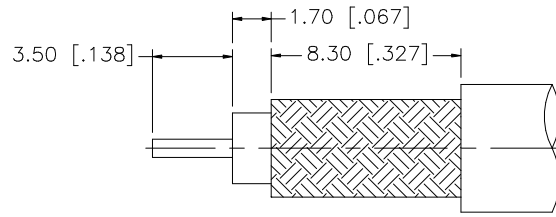
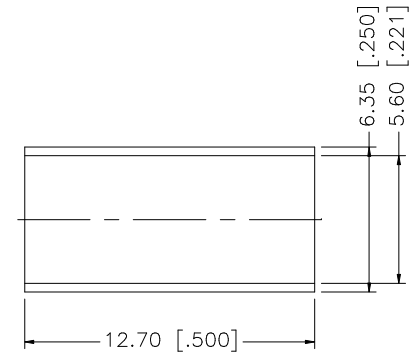
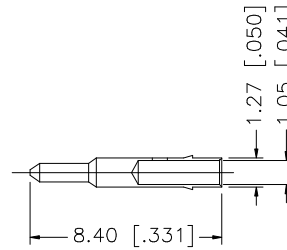
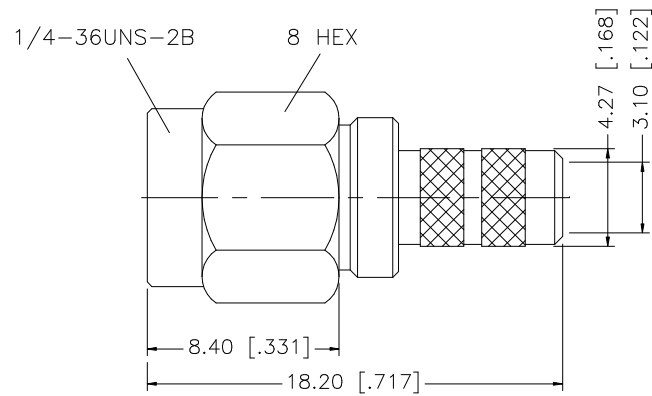


REV.	DATE	DESCRIPTION
A	04/31/03	UPDATE DRAWING FORMAT



RECOMMENDED CABLE STRIPPING DIMENSIONS



CRIMP NOTES:

1. CRIMPED FERRULE
HEX CRIMP SIZE .213"
2. SOLDER CENTER CONTACT

REV.	DATE	DESCRIPTION			
A	04/31/03	UPDATE DRAWING FORMAT			
8					
7					
6	FERRULE	COPPER			
5	GASKET	SILICONE			
4	RETAINER RING	BER. COPPER			
3	CONTACT PIN	BRASS			
2	INSULATOR	TEFLON			
1	BODY	BRASS			
	DESCRIPTION	MATERIAL			
		FINISH			
		QTY			
<small>UNLESS OTHERWISE SPECIFIED DIMENSIONS ARE IN MILLIMETERS. DIMENSIONS IN [] ARE IN INCHES AND FOR CUSTOMER REFERENCE ONLY.</small> <small>UNLESS OTHERWISE SPECIFIED TOLERANCES FOR MILLIMETERS ARE: 0.5 - 8mm ± 0.20mm 8 - 30mm ± 0.40mm 30 - 120mm ± 0.50mm</small> <small>UNLESS OTHERWISE SPECIFIED TOLERANCES FOR INCHES ARE: .020 - .315 = ± 0.007" .315 - 1.180 = ± 0.015" 1.180 - 4.724 = ± 0.020"</small>			APPROVALS DRAWN G.R.S. CHECKED ISSUED SHEET 1 OF 1 CAD FILE C:/132/132195.DWG	DATE 04/31/03	Amphenol Connex PART DESCRIPTION SMA CRIMP PLUG (FOR RG-55/U, 142A/U, 223/U, 400/U) PART NO. 132195 DWG. NO. 132195.DWG REV. A SIZE A SCALE NA
DO NOT SCALE DRAWING					