

4

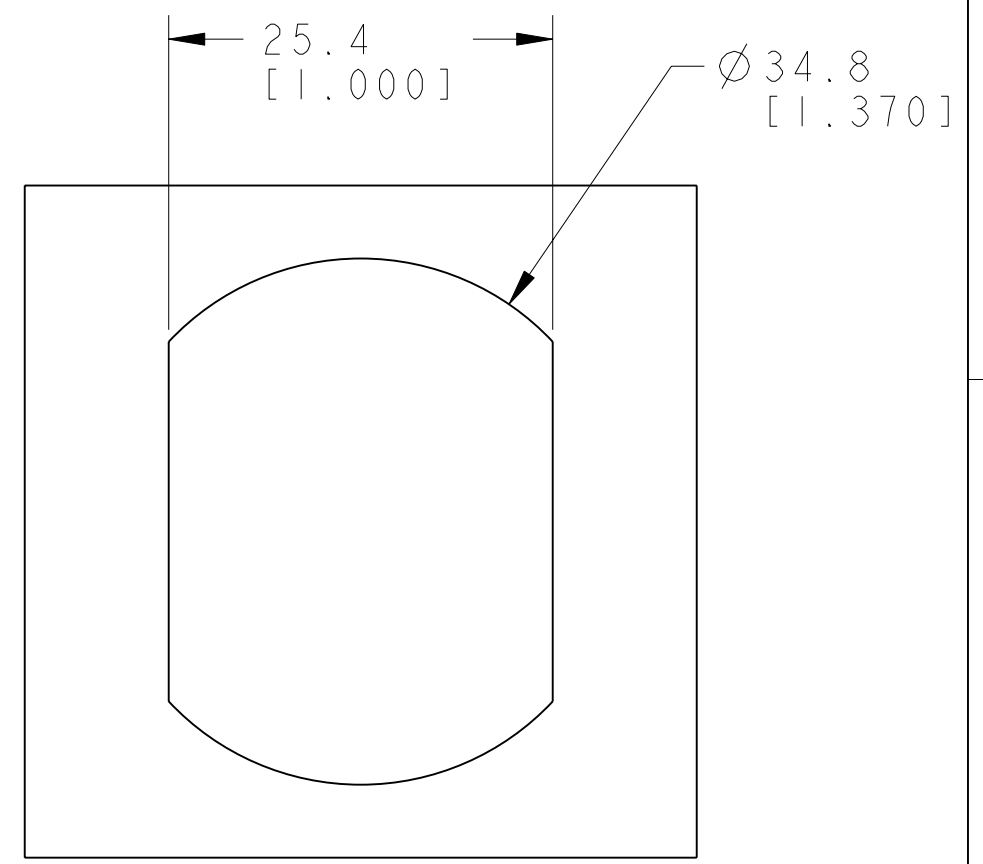
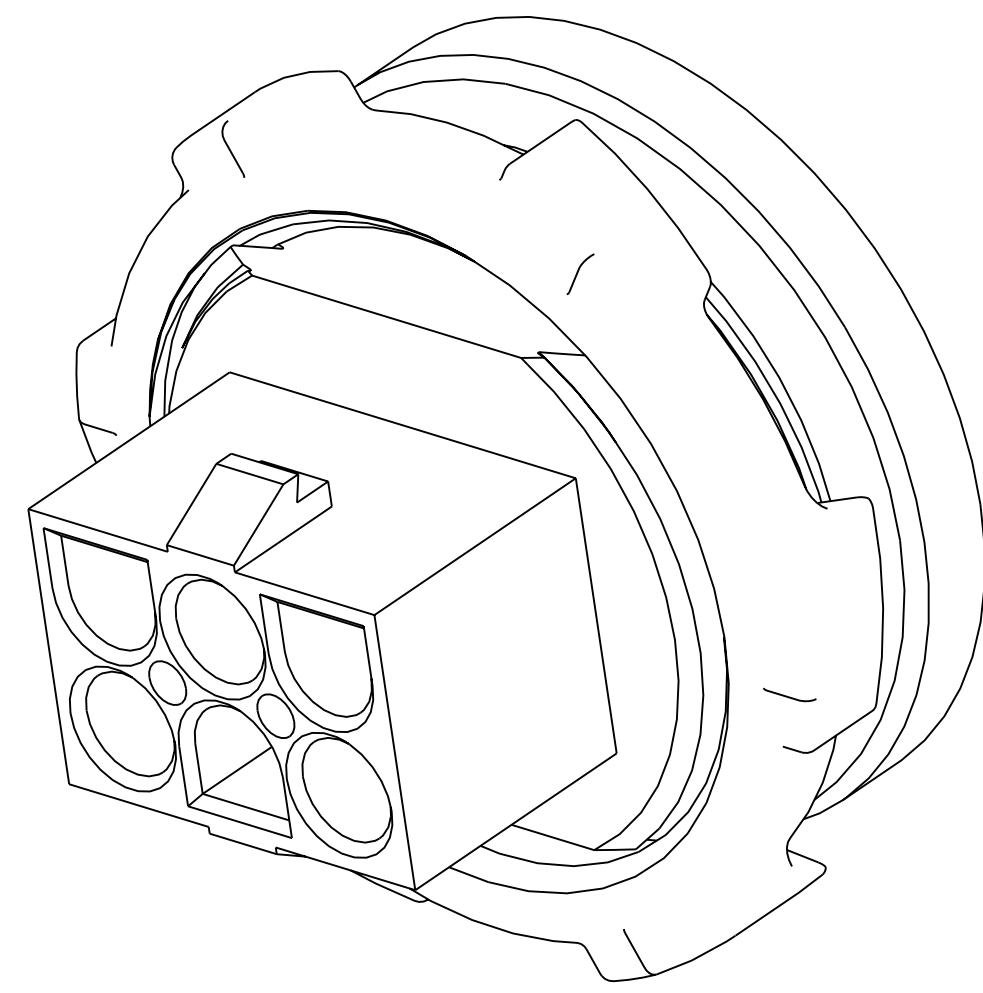
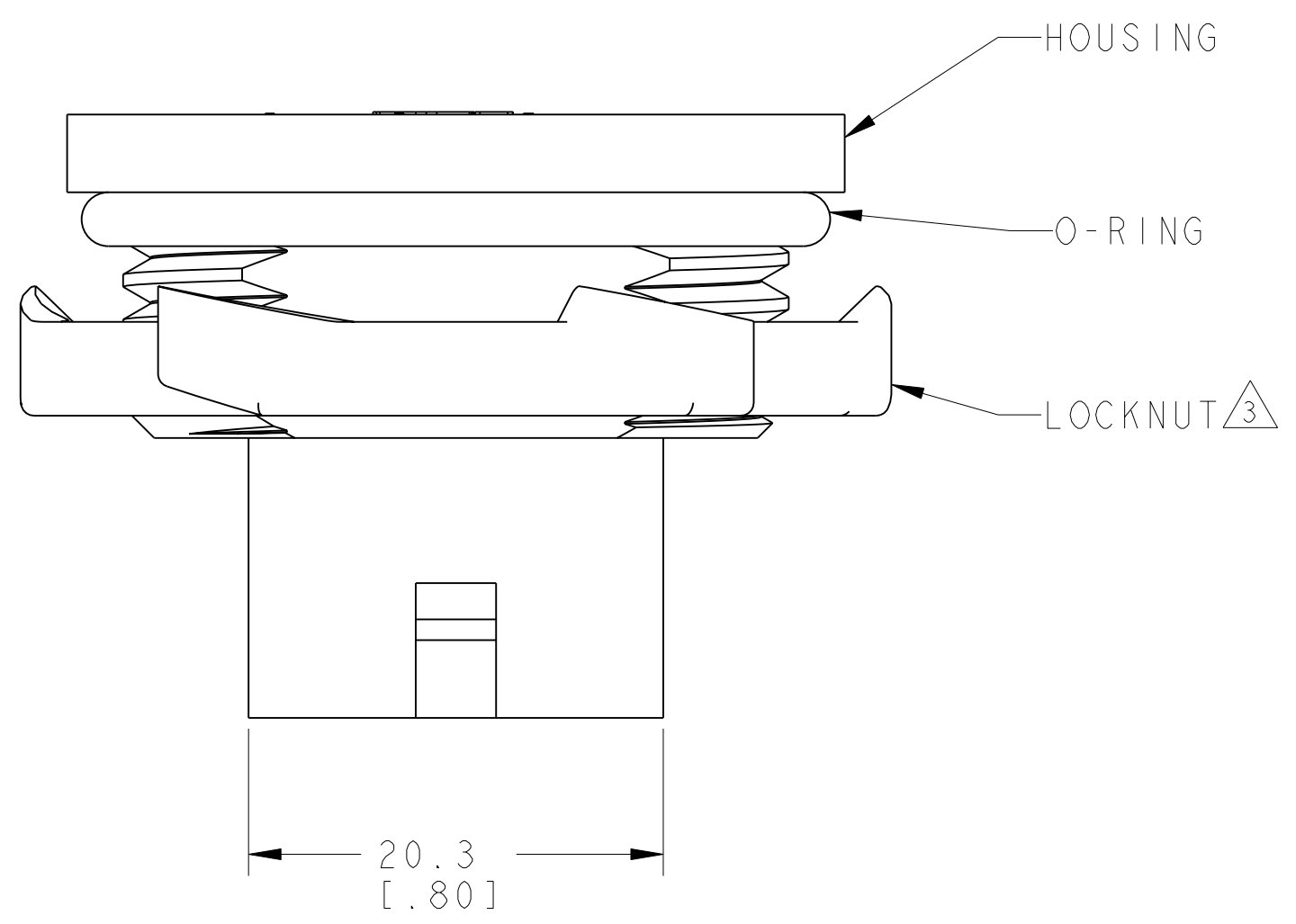
3

2

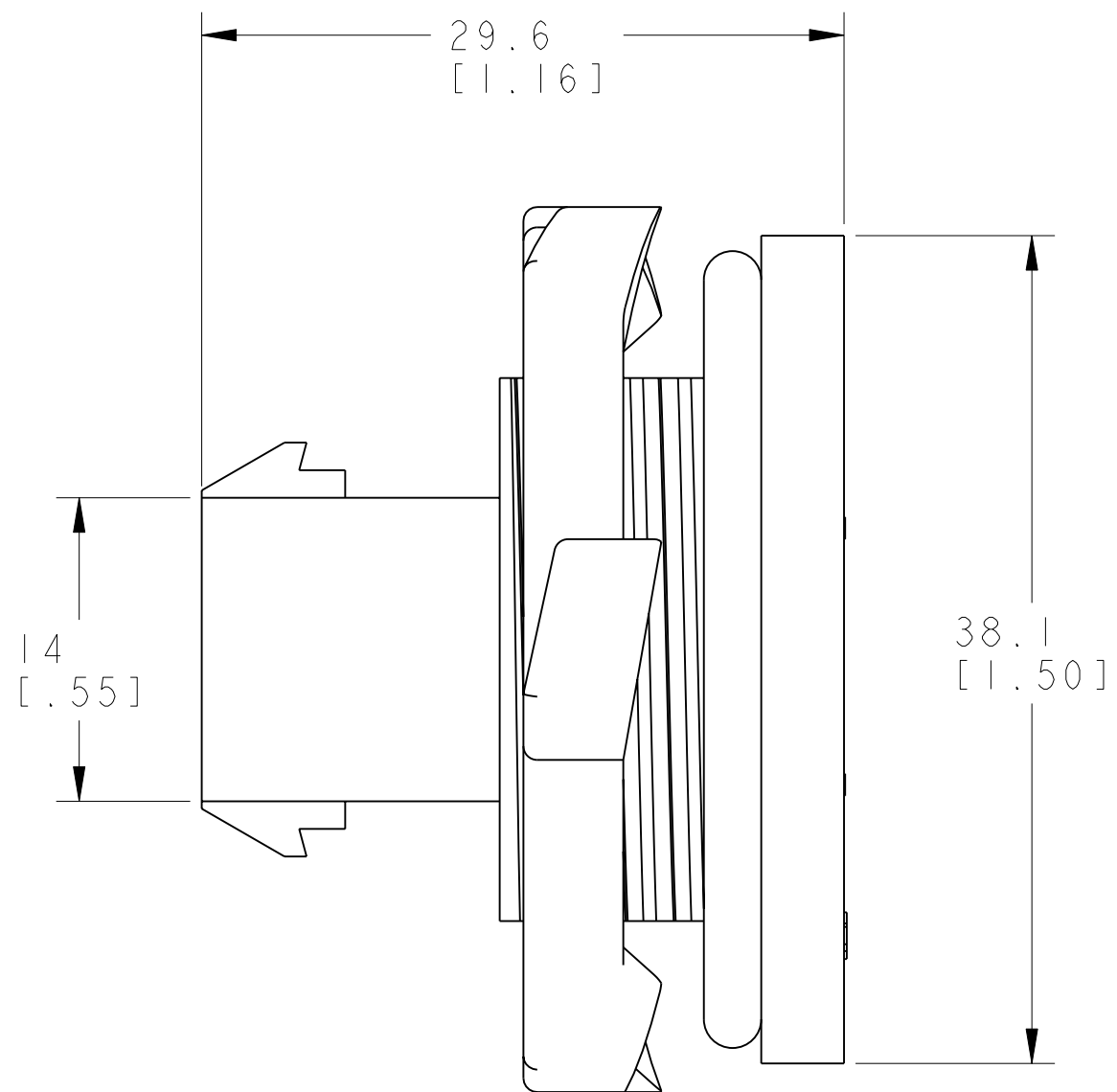
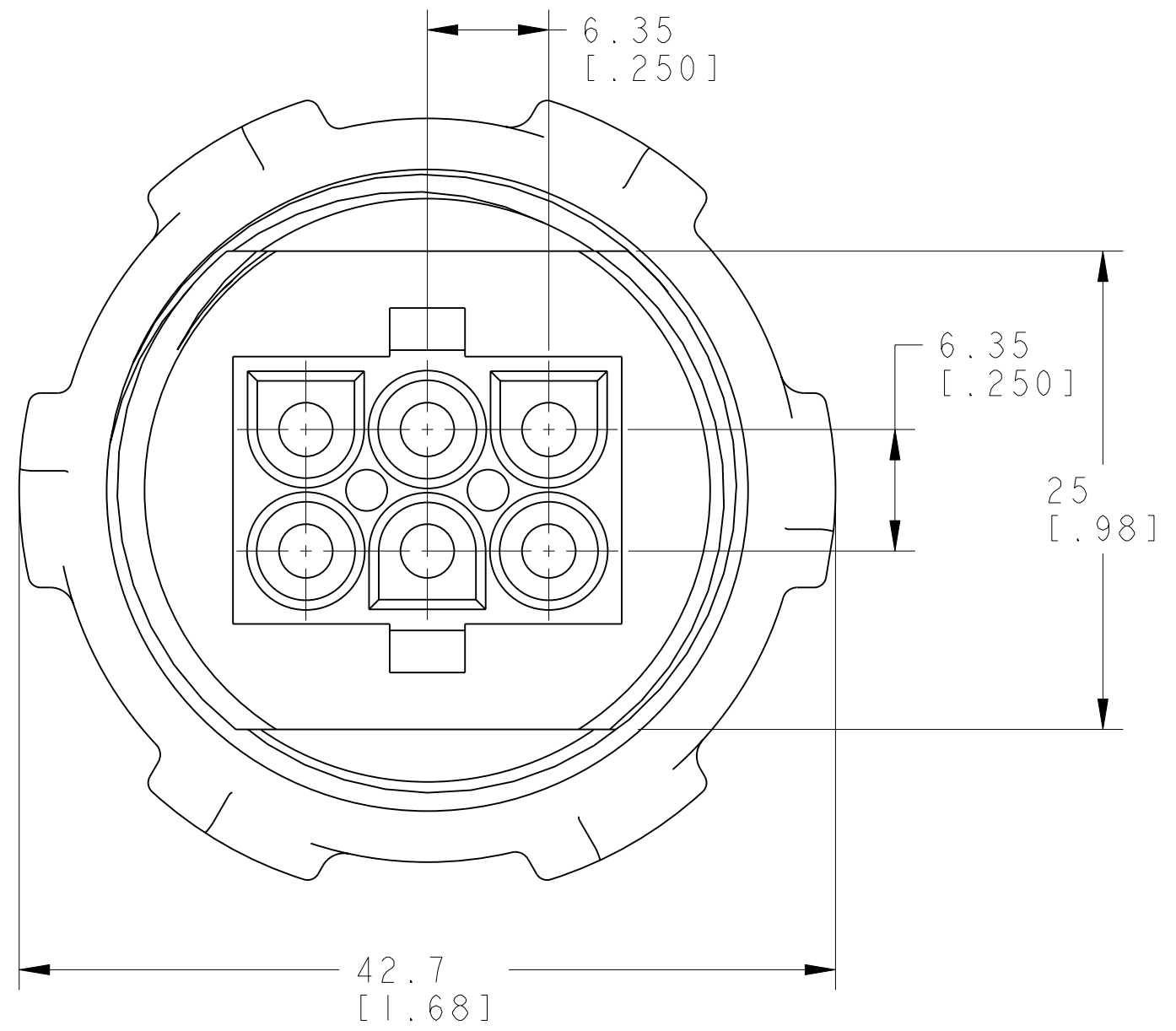
1

THIS DRAWING IS UNPUBLISHED. RELEASED FOR PUBLICATION 20
 © COPYRIGHT 20 BY TYCO ELECTRONICS CORPORATION. ALL RIGHTS RESERVED.

LOC		DIST		REVISIONS			
P	LTR	DESCRIPTION	DATE	DWN	APVD		
	CM		0				
0		DRAWN	14MAR2002	BR	DF		
2		UPDATE DWG AND ADD VALIDATION NOTE	21APR05	WGL	RW		
A		RELEASED PER ECO-06-000794	12JAN06	KW	SR		



RECOMMENDED
PANEL CUT-OUT
SCALE 2:1



- ¹ LOCKNUT; METAL
HOUSING; NYLON, FLAME RETARDANT,
UL94-VO.
O-RING; NEOPRENE
- ² LOCKNUT; PLATED
- ³ LOCKNUT, SIX(6) OR EIGHT(8) SYMETRICAL
PLACED GRIP POINTS PERMISSIBLE.

1604210-1
PART NO

METRIC

THIS DRAWING IS A CONTROLLED DOCUMENT FOR TYCO ELECTRONICS CORPORATION IT IS SUBJECT TO CHANGE AND THE CONTROLLING ENGINEERING ORGANIZATION SHOULD BE CONTACTED FOR THE LATEST REVISION.		DWN W J RUDY	14MAR2002	tyco Electronics	Tyco Electronics Harrisburg, PA 17105-3608	
DIMENSIONS: mm [INCHES]		CHK JHW	29APR2002		NAME BULKHEAD CONNECTOR ASSEMBLY, 6 CIRCUIT, UNIVERSAL MATE-N-LOK(TM)	
TOLERANCES UNLESS OTHERWISE SPECIFIED:		APVD JHW	29APR2002	PRODUCT SPEC		
0 PLC ± 1 PLC ±0.5 [1.02] 2 PLC ±0.13 [1.005] 3 PLC ± 4 PLC ±		APPLICATION SPEC		SCALE		
MATERIAL		WEIGHT		CAGE CODE		
FINISH		CUSTOMER DRAWING		DRAWING NO		
1 -		2 -		RESTRICTED TO		
				A2 00779 C=1604210		
				SCALE 3:1 SHEET 1 OF 1 REV A		