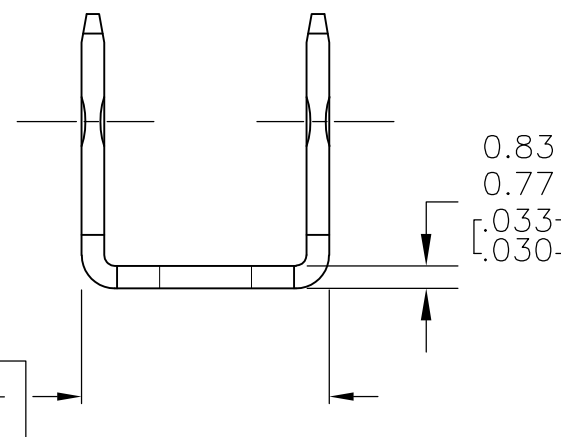
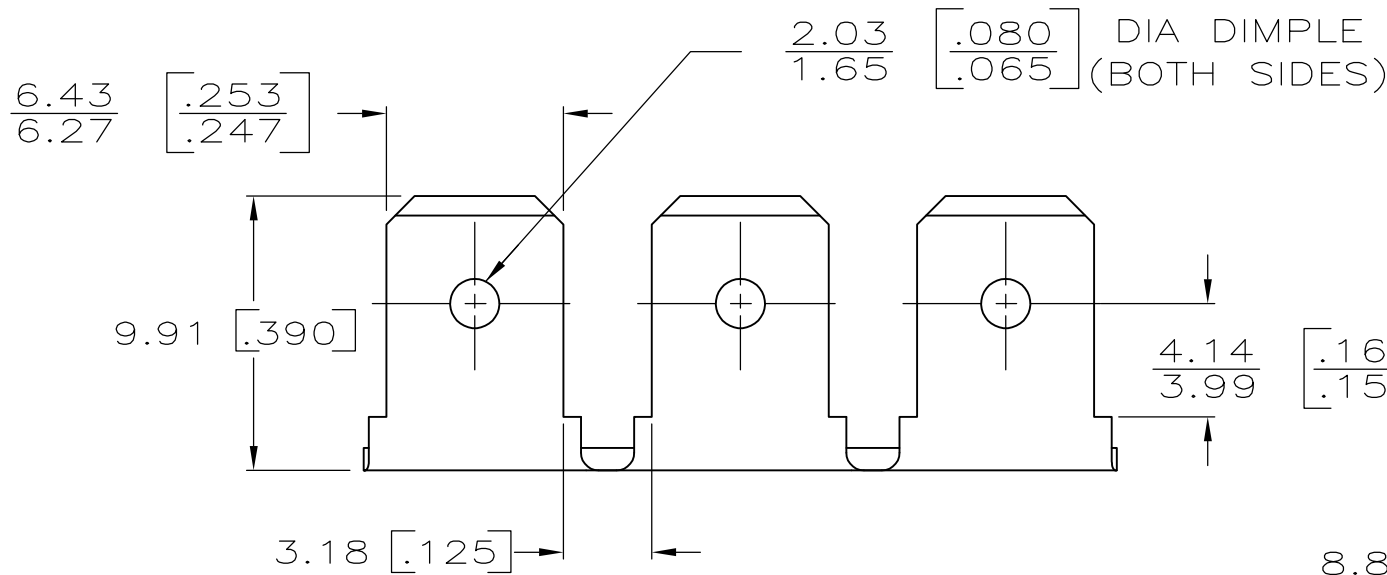
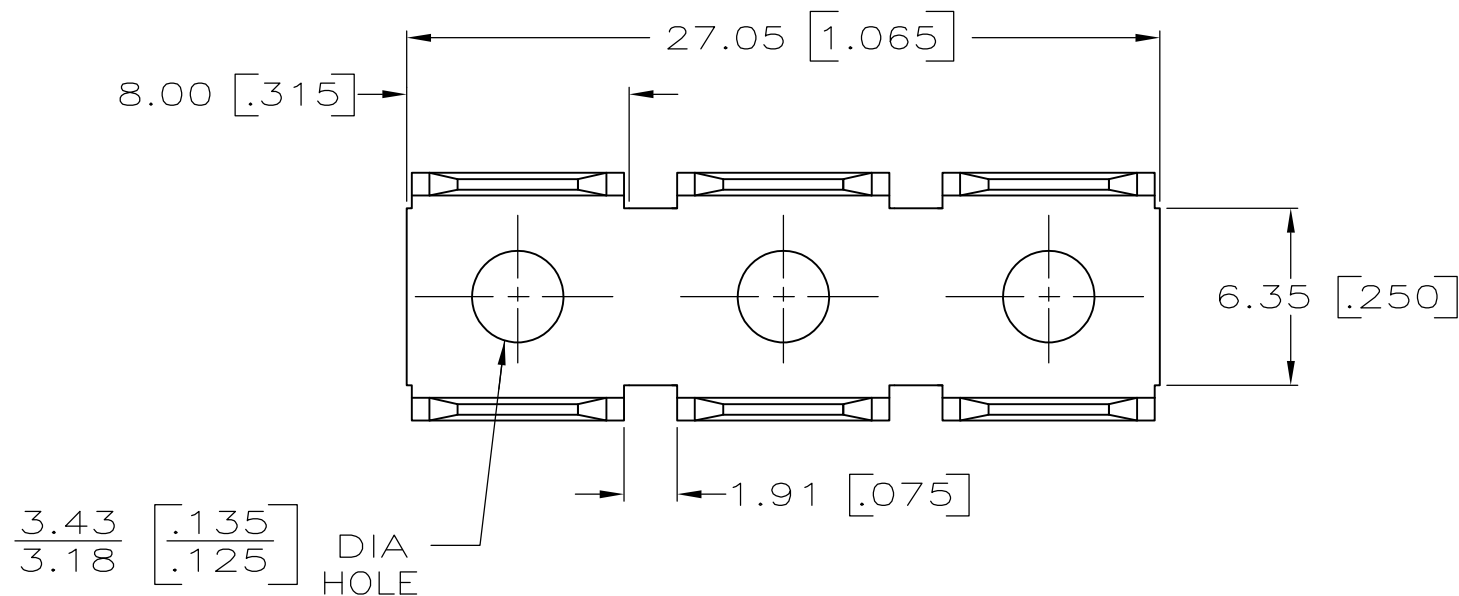


THIS DRAWING IS UNPUBLISHED. RELEASED FOR PUBLICATION
 © COPYRIGHT BY TYCO ELECTRONICS CORPORATION. ALL RIGHTS RESERVED.

LOC		DIST		REVISIONS			
P	LTR	DESCRIPTION		DATE	DWN	APVD	
	AG1	REVISED PER ECO-09-009918		4/23/09	SS	JR	

1. DIMENSIONS IN BRACKETS ARE IN INCHES.
2. SUPPLIED IN LOOSE PIECE.



41292
 PART NUMBER

THIS DRAWING IS A CONTROLLED DOCUMENT.		DWN JR RUTH 8/12/86	Tyco Electronics Corporation Harrisburg, PA 17105-3608	
DIMENSIONS: MM [INCHES]		CHK G YETTER 8/12/86		
TOLERANCES UNLESS OTHERWISE SPECIFIED:		APVD C MEYERS 8/13/86	NAME .250 SERIES FASTON TAB	
0 PLC ± - 1 PLC ± - 2 PLC ± - 3 PLC ± 0.25 [.010] 4 PLC ± - ANGLES ± -		PRODUCT SPEC -	RESTRICTED TO -	
MATERIAL #2H BRASS		FINISH -	APPLICATION SPEC -	WEIGHT -
CUSTOMER DRAWING			SIZE A3	CAGE CODE 00779
			DRAWING NO C-41292	REV AG1
			SCALE 4:1	SHEET 1 OF 1

