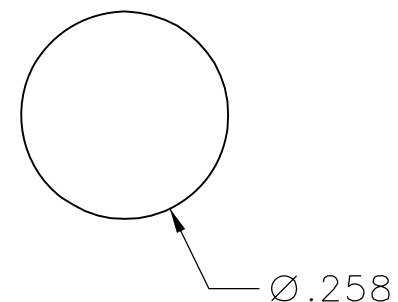


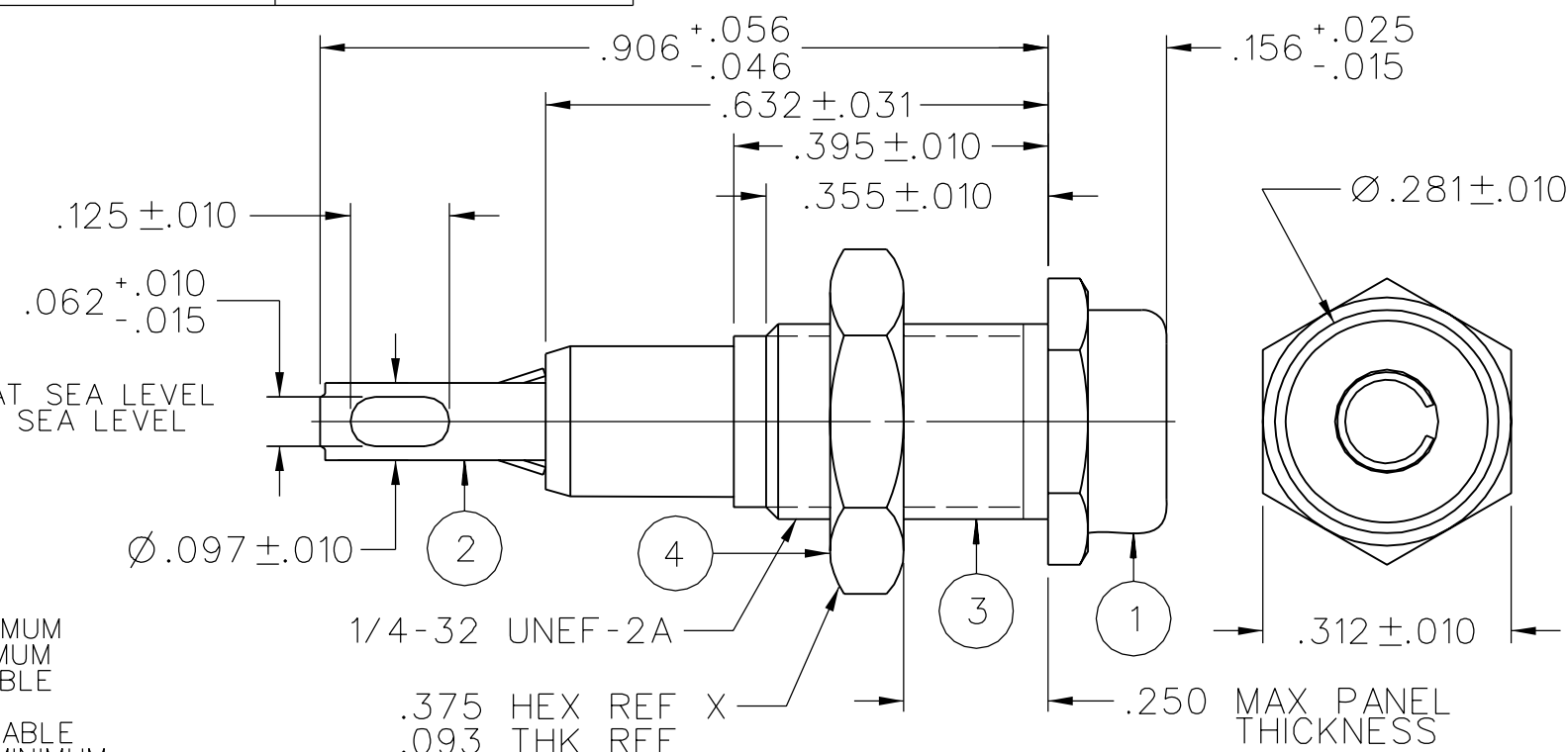
PART NUMBER	ITEM ①		ITEM ②	ITEM ③
	BODY	COLOR	CONTACT	MOUNTING NUT
105-0251-001	NYLON	WHITE	PHOSPHOR BRONZE SILVER PL .0001 MIN	BRASS NICKEL PL .0001 MIN
105-0252-001		RED		
105-0253-001		BLACK		
105-0254-001		GREEN		
105-0255-001				
105-0256-001		ORANGE		
105-0257-001		YELLOW		
105-0258-001		BROWN		
105-0259-001				
105-0260-001		BLUE		
105-0261-001				
105-0262-001		VIOLET		
105-0263-001		GRAY		
105-0264-001				
105-0265-001				
105-0266-001				
105-0267-001				
105-0268-001				
105-0269-001				
105-0270-001				



RECOMMENDED MOUNTING HOLE

DRAWING NO. B - 105-0251/0270-001				
0	REVISIONS			
REVISED AND REDRAWN. DRAWING WAS "C" SIZE 105-0251/0268-001/201 DATED 7-15-87. SPLIT INTO 2 SEPERATE DWGS. CREATED SHEET 2. ***** * REVISION NUMBER FOLLOWED BY AN ALPHA * * CHARACTER INDICATES DRAWING CLARIFICATION OR PART NUMBER ADDITION ONLY * *****				
17c	1-7-03	R H	R J B	10-16-03 ECN 48697

NOTES:  
SPECIFICATIONS:  
ELECTRICAL:  
CURRENT RATING: 10 AMPS DC MINIMUM  
DIELECTRIC WITHSTANDING VOLTAGE: 5700 VRMS MINIMUM AT SEA LEVEL  
RECOMMENDED WORKING VOLTAGE: 1500 VRMS MAXIMUM AT SEA LEVEL  
INSULATION RESISTANCE: 5000 MEGOHMS MINIMUM  
CONTACT RESISTANCE: 10 MILLIOHMS MAXIMUM  
CAPACITANCE: 2 PF NOMINAL  
MECHANICAL:  
INSERTION/WITHDRAWAL FORCE: .5 - 5.0 POUNDS  
CONTACT RETENTION IN INSULATOR FORCE: 10 POUNDS MINIMUM  
CONTACT RETENTION IN INSULATOR TORQUE: 12 IN OZ MINIMUM  
INSULATOR RETENTION IN .062 PANEL FORCE: NOT APPLICABLE  
INSULATOR RETENTION IN SLEEVE FORCE: NOT APPLICABLE  
INSULATOR RETENTION IN .062 PANEL TORQUE: NOT APPLICABLE  
PLASTIC MOUNTING THREAD STRIPPING TORQUE: 4 IN LBS MINIMUM  
RESISTANCE TO TEST PROBE DAMAGE TORQUE: 2 IN LBS MINIMUM  
MATING TIP PLUG DIAMETER: .080  
DURABILITY: 1000 CYCLES MINIMUM  
ENVIRONMENTAL:  
(MEETS OR EXCEEDS THE APPLICABLE PARAGRAPH OF MIL-PRF-39024)  
OPERATING TEMPERATURE: -55 DEG C TO 85 DEG C  
TEMPERATURE RISE AT RATED CURRENT: 10 DEG C MAXIMUM  
CORROSION: MIL-STD-1344, METHOD 1001, CONDITION B  
SHOCK: MIL-STD-1344, METHOD 2004, CONDITION G  
VIBRATION: MIL-STD-1344, METHOD 2005, CONDITION I  
HUMIDITY: MIL-STD-1344, METHOD 1002, CONDITION B




CUSTOMER DRAWING

THIS DRAWING TO BE INTERPRETED PER ASME Y 14.5M - 1994

"μSTATION"

COMPANY CONFIDENTIAL

TOLERANCE UNLESS OTHERWISE SPECIFIED	DRAWN BY RJB	DATE 12-16-02	 <b>Cinch</b> CONNECTIVITY SOLUTIONS a bel group	<b>Cinch Connectivity Solutions</b> P.O. Box 1732 Waseca, MN 56093 1-800-247-8256
DECIMALS    mm	CHECKED BY	DATE		
.XX            _____			TITLE	ASSEMBLY, .080 (2.0mm) TIP JACK, INSULATED METAL CLAD PANEL MOUNT, SOLDER TERMINAL
.XXX REF    _____	APPROVED BY RJB	DATE 10-16-03	SHEET	
MATL            _____	RELEASE DATE	10-16-03	DRAWING NO.	
FINISH            _____	U/M    INCH	SCALE    4:1	2 OF 2	B - 105-0251/0270-001