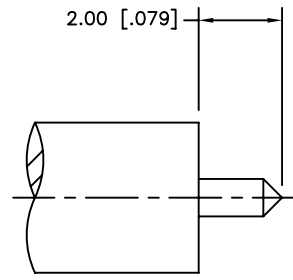
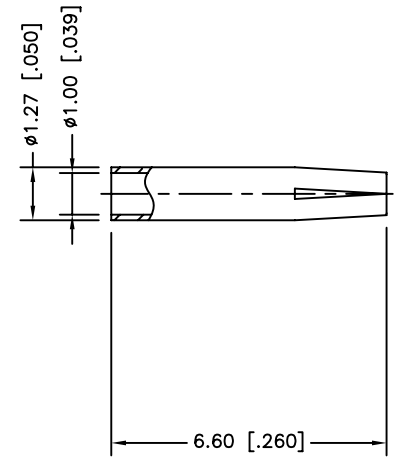
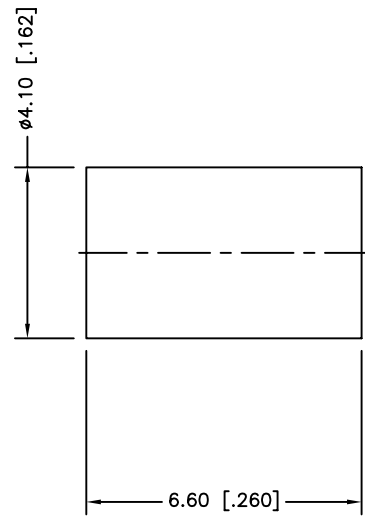
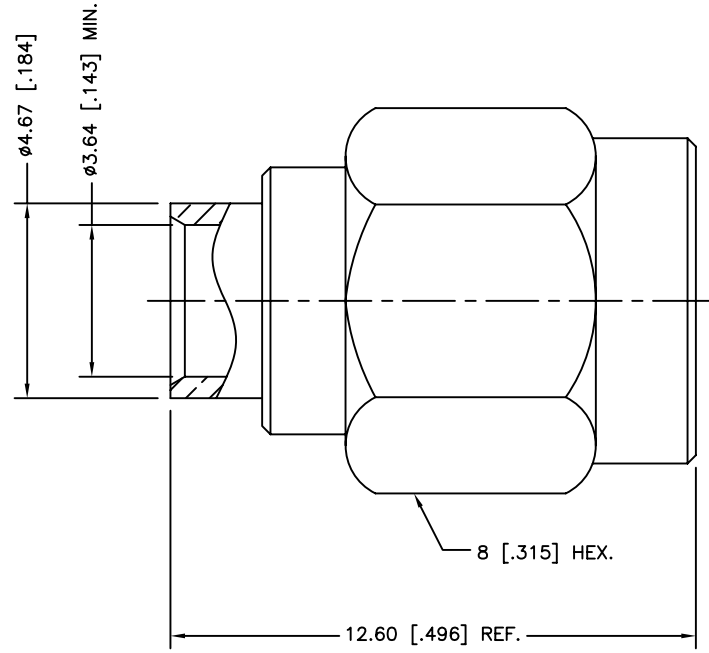


REV.	DATE	ECR NO.	DESCRIPTION
A	03/06/05	XXXXXX	UPDATE DRAWING FORMAT
B	04/21/12	XXXXXX	ADD NOTES



RECOMMENDED
CABLE STRIPPING DIM'S



1. IMPEDANCE: 50 OHM
2. FREQUENCY RANGE: DC 0-18 GHz
3. VSWR(RETURN LOSS): 1.3, MAX.
4. DIELECTRIC WITHSTANDING VOLTAGE: 750 VRMS, MIN.
5. CONTACT PIN TO SOLDER

DESCRIPTION	MATERIAL	FINISH	QTY
6 CONTACT PIN	BERYLLIUM COPPER	GOLD	1
5 INSULATOR	PTFE	NATURAL	1
4 GASKET	SILICON RUBBER	RED	1
3 RETAINING RING	SUS 304	NATURAL	1
2 BODY	BRASS	GOLD	1
1 SHELL	BRASS	GOLD	1

UNLESS OTHERWISE SPECIFIED DIMENSIONS ARE IN MILLIMETERS; DIMENSIONS IN [] ARE IN INCHES AND FOR CUSTOMER REFERENCE ONLY.		APPROVALS	DATE
UNLESS OTHERWISE SPECIFIED TOLERANCES FOR MILLIMETERS ARE: 0.5 - 8mm ± 0.20mm 8 - 30mm ± 0.40mm 30 - 120mm ± 0.50mm		DRAWN M.ZHANG	04/21/12
UNLESS OTHERWISE SPECIFIED TOLERANCES FOR INCHES ARE: .020 - .315 = ± 0.007" .315 - 1.180 = ± 0.015" 1.180 - 4.724 = ± 0.020"		CHECKED	
DO NOT SCALE DRAWING		ISSUED	
		SHEET 1 OF 1	
		CAD FILE C:/CONNEX/132102RP.DWG	

Amphenol Connex

PART DESCRIPTION			
SMA REVERSE POLARITY STRAIGHT PLUG (FOR .141" SEMI-RIGID CABLE)			
PART NO. 132102RP			
DWG. NO.	REV.	SIZE	SCALE
132102RP.DWG	B	A	NA