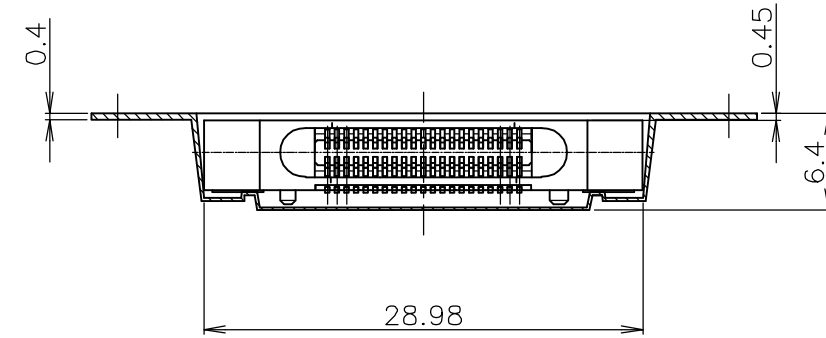
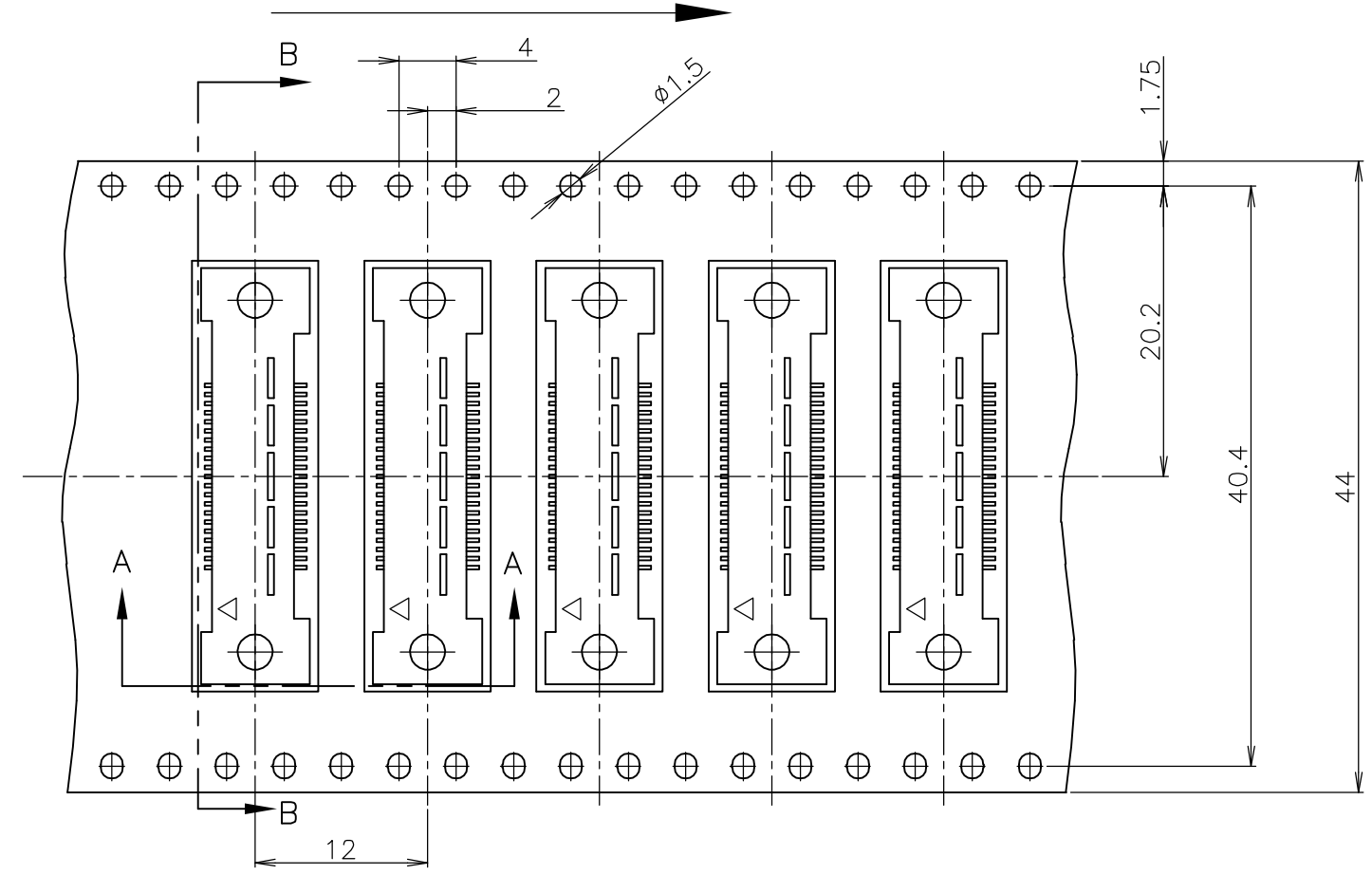


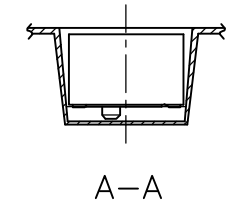
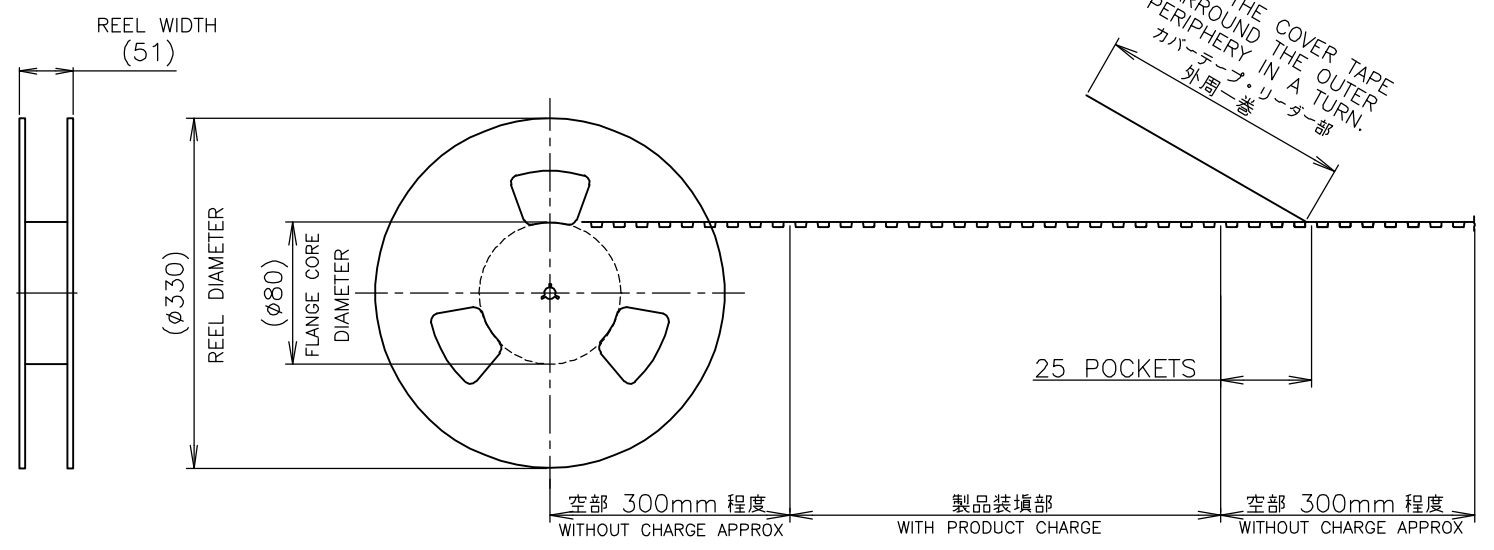
THIS DRAWING IS UNPUBLISHED. RELEASED FOR PUBLICATION JAN , 2005.
 © COPYRIGHT 2005 BY TYCO ELECTRONICS CORPORATION. ALL RIGHTS RESERVED.

LOC	DIST	REVISIONS				
		P	LTR	DESCRIPTION	DATE	DWN
J		A	RELEASED	29NOV05	H.F	Y.Y

リール引き出し方向
DIRECTION OFF TOP OF REEL



WINDING THE COVER TAPE
AROUND THE OUTER
PERIPHERY IN A TURN.
カバーテープ・リール部
外周一巻



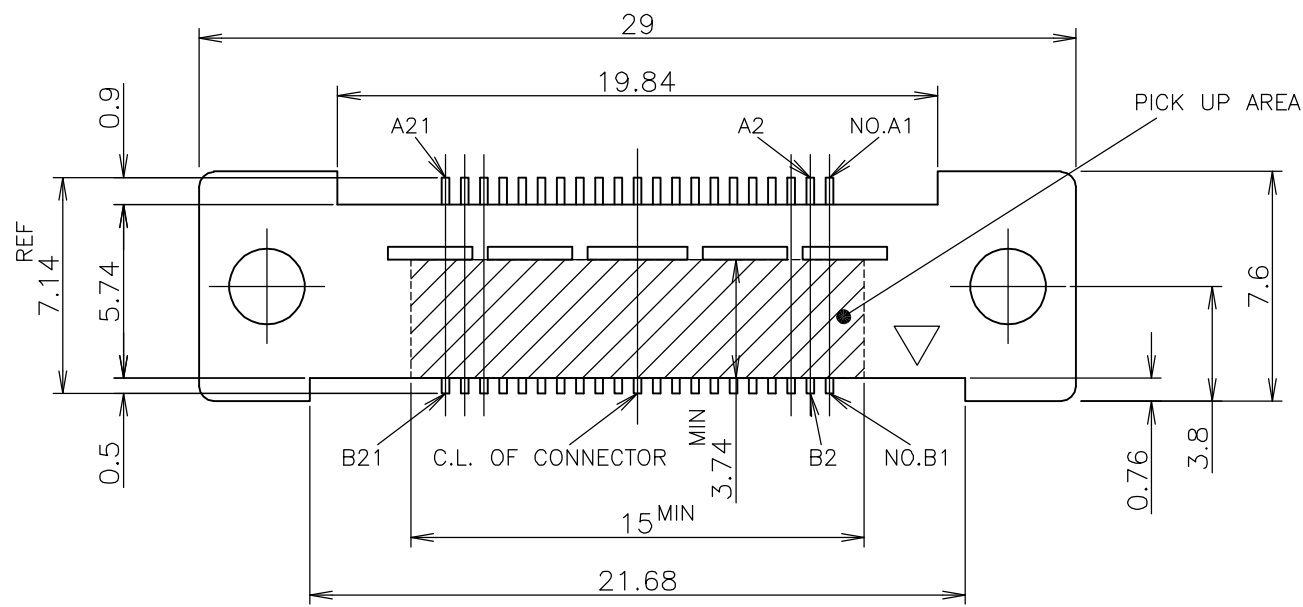
△ 材料;
エンボステープ : PS
カバーテープ : PET

△ MATERIAL ;
EMBOSS TAPE : PS
COVER TAPE : PET

THIS DRAWING IS A CONTROLLED DOCUMENT.		DWN	H.FUKUZAKI	29NOV05		Tyco Electronics AMP K.K.			
DIMENSIONS: 単位: 耗 mm		CHK	H.FUTATSUGI	29NOV05		Kawasaki, Japan			
TOLERANCES UNLESS OTHERWISE SPECIFIED: 一般公差		APVD	Y.YAMAMOTO	29NOV05		NAME 名称			
0-PLC ± 1-PLC ± ±0.3 2-PLC ± 3-PLC ± 4-PLC ± ANGLES ±3°		PRODUCT SPEC 製品規格		108-78235		EMBOSS ASSY 0.635mm PITCH BAY CONN. RECEPTACLE.			
MATERIAL 材料		FINISH 仕上		WEIGHT		SIZE	CAGE CODE	DRAWING NO 番号	RESTRICTED TO
△		CUSTOMER DRAWING		A3		00779	C-1903260		
		SCALE 尺度		NTS		SHEET 1 OF 3		REV A	

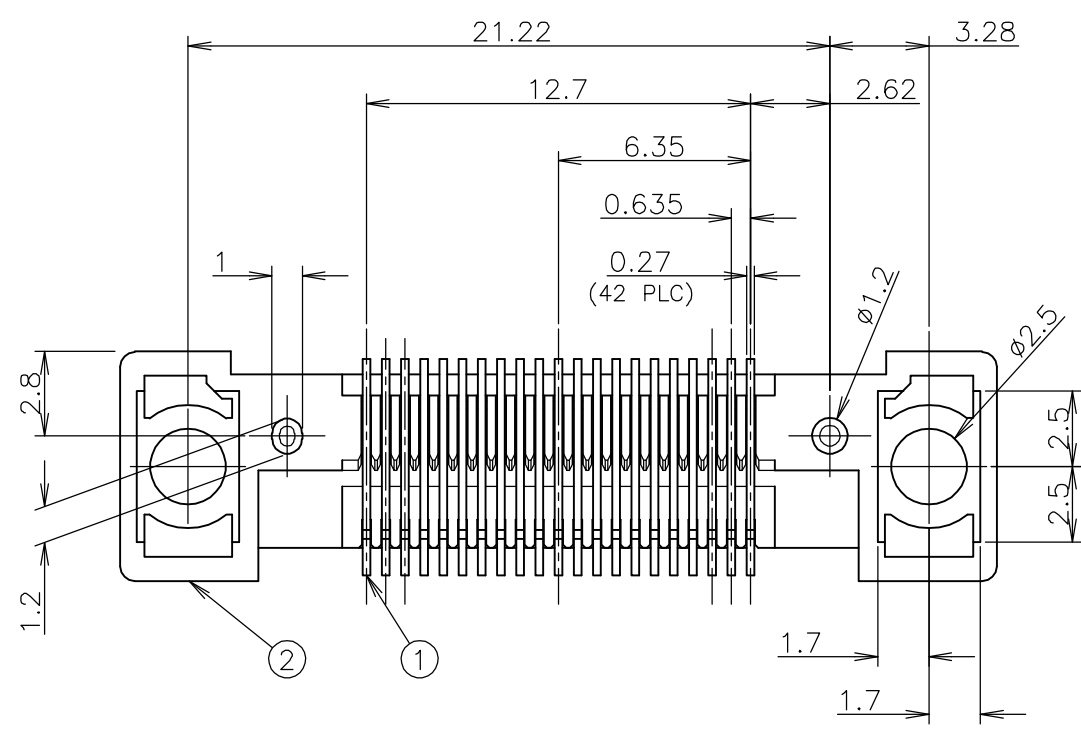
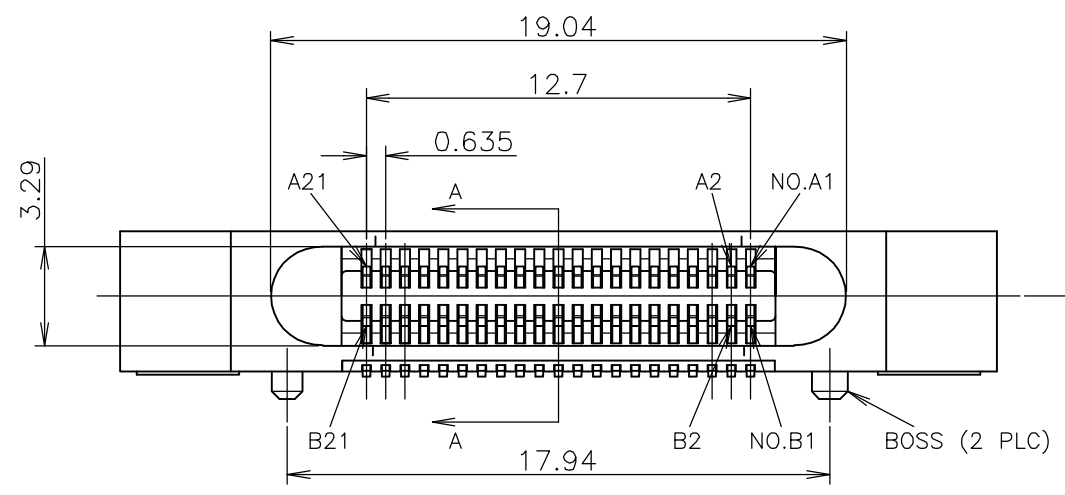
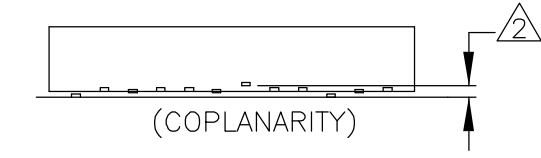
THIS DRAWING IS UNPUBLISHED. RELEASED FOR PUBLICATION
 © COPYRIGHT BY TYCO ELECTRONICS CORPORATION. ALL RIGHTS RESERVED.

LOC	DIST	REVISIONS					
J	/	P	LTR	DESCRIPTION	DATE	DWN	APVD
		-	-	SEE SHEET 1	-	-	-



注記
 1 材質：
 ハウジング；熱可塑性樹脂（UL94V-0、黒色）
 コンタクト；銅合金
 仕上げ；全面ニッケル下地めっき
 接点部 金めっき
 はんだ付け部 すずめっき
 ② コネクタを平坦面に置き、タインの浮きは0.1以下。
 3 一般公差：±0.3、±3°

NOTE
 1 MATERIAL
 HOUSING : THERMO-PLASTICS(UL94V-0,BLACK)
 CONTACT : COPPER ALLOY
 FINISH : ALL OVER Ni UNDER PLATING.
 Au PLATING ON CONTACT AREA
 Sn PLATING ON TINE AREA
 ② MUST BE MEASURED FLOATING AMOUNT OF TINE
 FROM DATUM SURFACE IS 0.1 MAX.
 3 GENERAL TOLERANCE : ±0.3,±3°



THIS DRAWING IS A CONTROLLED DOCUMENT.		DWN	Tyco Electronics AMP K.K.	
DIMENSIONS: 単位： 耗 mm		CHK	Kawasaki, Japan	
TOLERANCES UNLESS OTHERWISE SPECIFIED: 一般公差		APVD	NAME 名称	
0 PLC ± -		PRODUCT SPEC 製品規格	EMBOSS ASSY	
1 PLC ± -		APPLICATION SPEC 取付適用規格	0.635mm PITCH BAY CONN. RECEPTACLE	
2 PLC ± -		WEIGHT	SIZE	CAGE CODE
3 PLC ± -		CUSTOMER DRAWING	A3	00779
4 PLC ± -			DRAWING NO 番号	C-1903260
ANGLES ± -		RESTRICTED TO	-	
FINISH 仕上		SCALE 尺度	4:1	SHEET 2 OF 3
MATERIAL 材料		REV	A	

