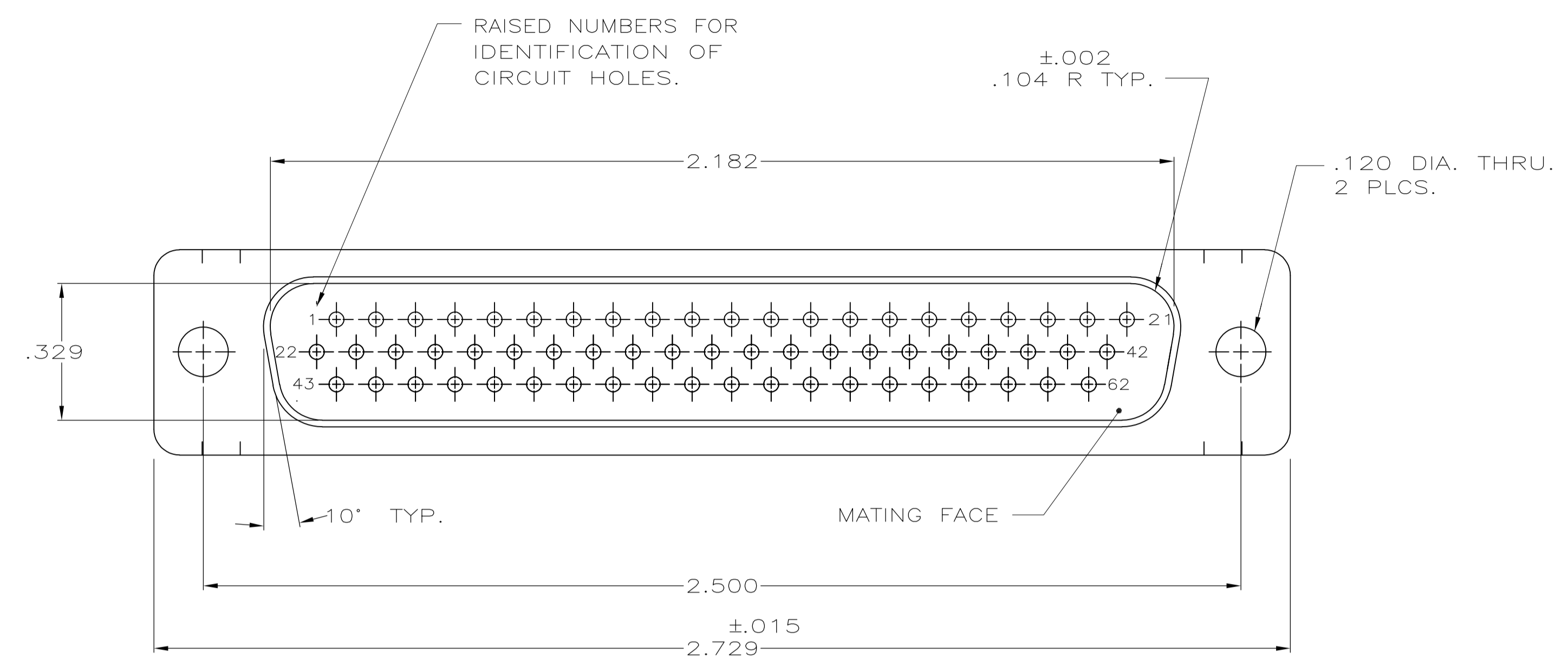
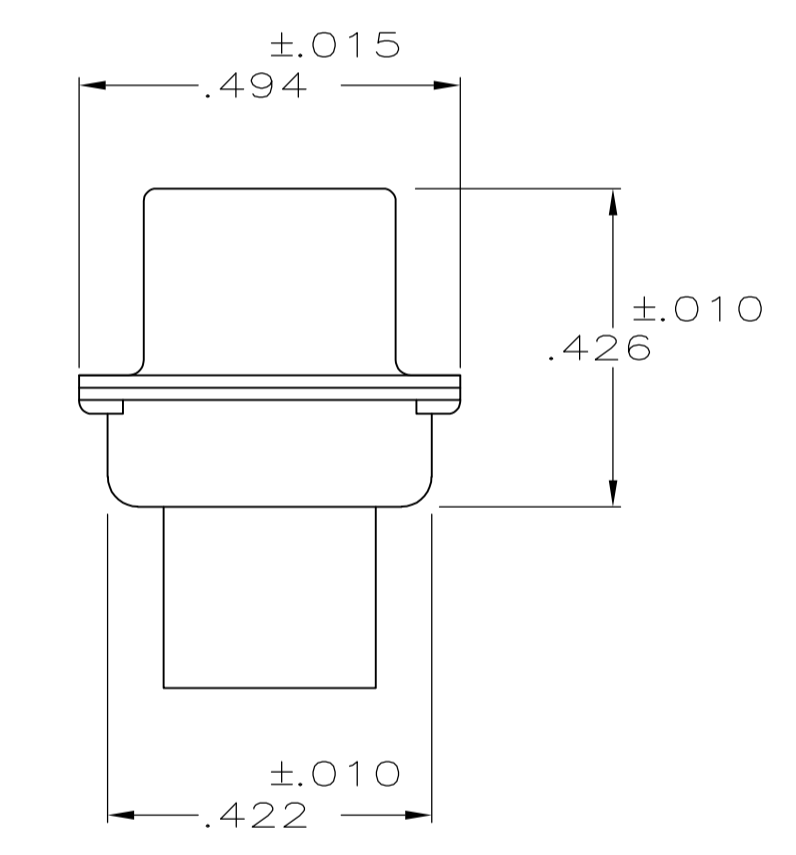
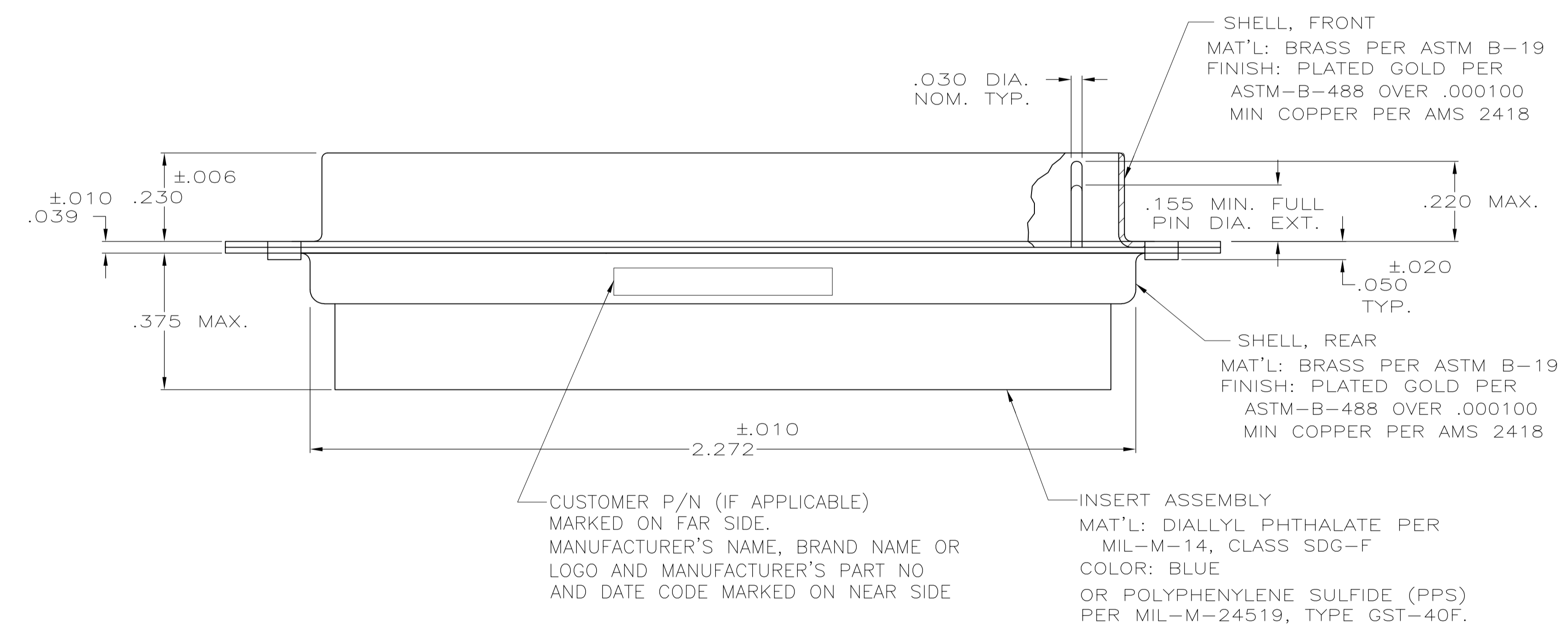


LOC		DIST		REVISIONS			
DF	DO	REV	DATE	DESCRIPTION	DATE	DWN	APVD
C		1	16OCT2008	REV PER ECO 08-022905		PK	BW



1. THIS PLUG WILL MATE WITH ANY SIZE 4,62 POSN. RECEPTACLE IN AMPLIMITE SERIES.
  2. CONNECTOR SUPPLIED WITHOUT CONTACTS; SHOWN FOR ILLUSTRATION ONLY.
  3. BE-CU RETENTION CLIPS ARE INCLUDED IN INSERTS AND INSTALLED WITH TINES POINTING TOWARDS MATING FACE.
  4. OVERALL DIMENSIONS DO NOT INCLUDE RAISED CAVITY ID.
  5. MARKING FAR SIDE REFERS TO WIDE SIDE OF KEYSTONE. NEAR SIDE REFERS TO NARROW SIDE OF KEYSTONE
- △ 100% INSPECTION REQUIRED PER BOEING 1B01:  
 A. VISUAL  
 B. DWV  
 C. IR
7. CUSTOMER REQUIRES SINGLE LOT DATE CODE.



△ 6	1B01 - 010PHW	1-211652-1
△ 6	1B01 - 010	211652-1
REMARKS	CUSTOMER MARKING	PART NO.

THIS DRAWING IS A CONTROLLED DOCUMENT.

DIMENSIONS:	TOLERANCES UNLESS OTHERWISE SPECIFIED:	APVD	DATE	NAME	REVISIONS
INCHES	0 PLC ± -	D. ERDMAN	3-26-84	J. BROSCARD	1
	1 PLC ± -	B. YOHN	4-26-84		2
	2 PLC ± -				3
	3 PLC ± .005				4
	4 PLC ± -				
	ANGLES ± 0°30'				

MATERIAL: SEE CALLOUT  
 FINISH: SEE CALLOUT

WEIGHT: —  
 SIZE: A1  
 CAGE CODE: 00779  
 DRAWING NO: 211652  
 RESTRICTED TO: —

CUSTOMER DRAWING  
 SCALE: NTS  
 SHEET: 1 OF 1  
 REV: C