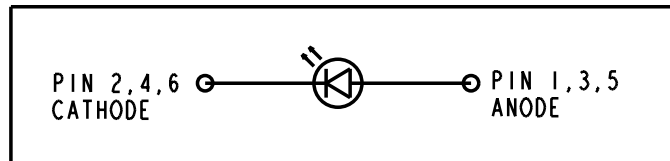
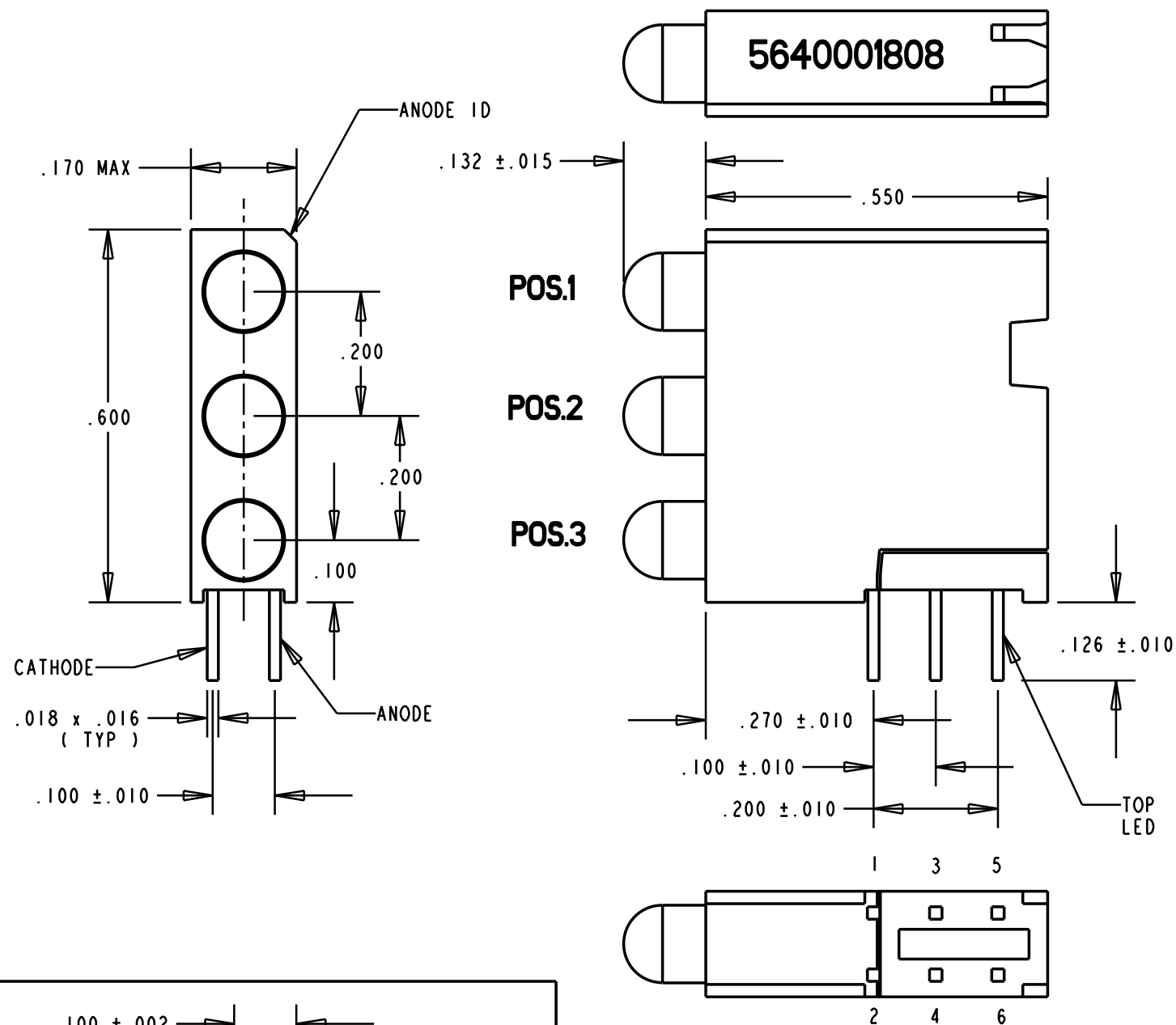


PART NUMBER and LEGEND	LED COLOR		
	POSITION 1	POSITION 2	POSITION 3
564-0001-808	GREEN	GREEN	GREEN

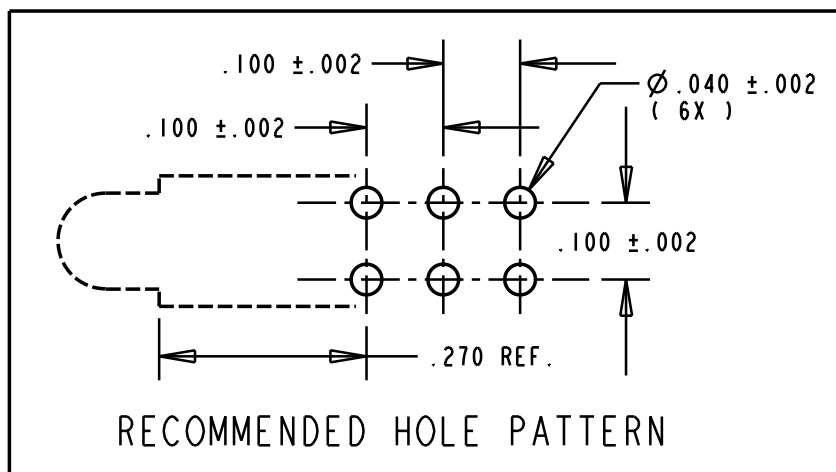


REV.	ECN NO.	REVISIONS	DRN.	CKD.	APP.	DATE
A		NEW RELEASE	AV			



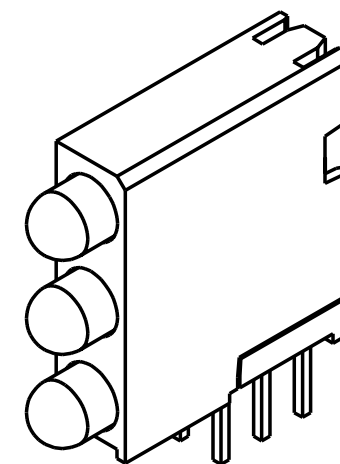
OPERATING CHARACTERISTICS AT 25°C AMBIENT					
CHARACTERISTICS	MIN	TYP	MAX	UNITS	TEST CONDITIONS
LUMINOUS INTENSITY	4.7	12.6		mc d	$I_f = 10 \text{ mA}$
FORWARD VOLTAGE		2.1	2.8	V	$I_f = 20 \text{ mA}$
REVERSE CURRENT			100	$\mu\text{A}$	$V_R = 5 \text{ V}$
PEAK WAVELENGTH		565		nm	
VIEWING ANGLE		60		Degree	
CAPACITANCE		35		pf	$V_f = 0, f = 1 \text{ MHz}$

ABSOLUTE MAXIMUM RATING AT 25°C AMBIENT		UNITS
POWER DISSIPATION		mW
DERATE LINEARLY FROM 50°C		$\text{mW}/^\circ\text{C}$
CONTINUOUS FORWARD CURRENT		mA
PEAK FORWARD CURRENT (1/10 DUTY CYCLE, 0.1 ms PULSE WIDTH)		mA
LEAD SOLDERING TEMPERATURE, 5 SEC., 1/16" FROM BODY		$^\circ\text{C}$
OPERATING TEMPERATURE		$^\circ\text{C}$
STORAGE TEMPERATURE		$^\circ\text{C}$



NOTES:

- LEADS TO FIT INTO HOLES SPACED AS PER HOLE PATTERN
- LEADS TO BE FREE OF DEFORMATION AFTER BENDING AND CUTTING
- LED LEAD DIMENSIONS SHOWN ARE MEASURED AT HOUSING EXIT.
- DIALIGHT PART NUMBER = 564-0001-808



THIS DRAWING AND THE CONTENTS HEREIN ARE CONFIDENTIAL AND THE SOLE PROPERTY OF DIALIGHT. REPRODUCTION OF THIS DRAWING OR CONSTRUCTION OF ANY PARTS WITHIN THIS DRAWING ARE FORBIDDEN WITHOUT THE WRITTEN CONSENT OF DIALIGHT.		
SCALE 4:1	DRAWING NUMBER	REV
ALL DIM'S IN: INCHES	C-16621	A
TOLERANCES: UNLESS OTHERWISE SPECIFIED	TITLE EXTENDED TRI-LEVEL CBI BLOCK	
FRACTIONS: $\pm 1/64$	MATERIAL	
DECIMALS (.XX): $\pm .020$	Dialight	
DECIMALS (.XXX): $\pm .015$	1913 ATLANTIC AVE.	
DECIMALS (.XXXX): $\pm .010$	MANASQUAN, N.J. 08736	
ANGLES: $\pm 3^\circ$	SHEET OF FAMILY TABLE:	
FINISH:	FSCM 83330	