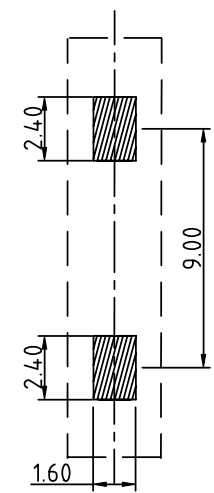
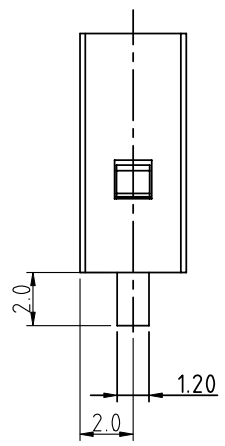
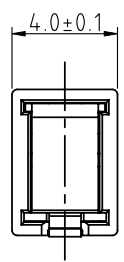
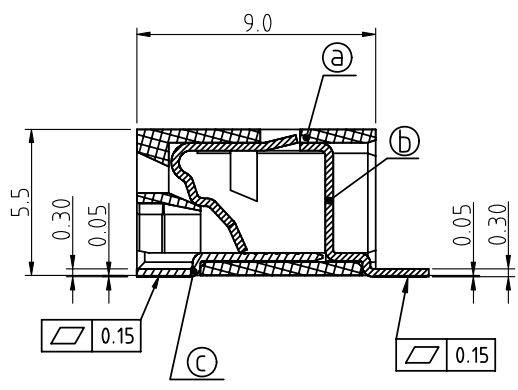


PRODUCT NUMBER	PITCH
NQ0121x000J0G	4.00 mm



RECOMMENDED P.C.B LAYOUT



- Material:
- Item ① Terminal housing: LCP (UL94V-0)
  - Item ② Long solder pin: Copper alloy, Matte Tin plated
  - Item ③ Short solder pin: Copper alloy, Matte Tin plated

- |                                   |                  |                 |
|-----------------------------------|------------------|-----------------|
| Electrical                        | UL (UL 1977)     | cULus (UL 1977) |
| ● Voltage rating:                 | 600VAC           | 600VAC          |
| ● Current rating:                 | 9A               | 5A              |
| ● Wire range:                     |                  |                 |
| ● Solid wire (AWG):               | 18-24            |                 |
| ● Tin Dipped Stranded wire (AWG): | 18-24            |                 |
| ● Wire strip length:              | 6-7mm            |                 |
| ● Withstanding Voltage:           | 1.6KV            |                 |
| ● Operating temperature:          | -45°C to +130°C  |                 |
| ● Reflow soldering temperature:   | 260°C/10 Sec Max |                 |
| ● Safety Approval:                |                  |                 |

PART NO.: NQ 01 2 1 x 0 00J 0 G

No. of poles: 01 1 pole  
 color: 0: Black (RAL9005) (lead<4%), 1: Natural color In copper Alloy, 8: Grey (RAL7044)  
 RoHS compliant: (lead<4%)

mat'l. code		surface ASME Y14.5 ✓	tolerance ASME Y14.5	projection 	product family TERMINAL BLOCK
ltr	ecn no	dr	date	tolerances unless otherwise specified	title TERMINAL BLOCK SPRING CLAMP, SMT TYPE
B	T-21475	HF	072015	angles X ± 1°	
				scale	scale MM
		dr	HANKE FENG	071614	FCI dwg no NQ0121x000J0G sheet 1 of 1 size A4 type CUSTOMER Drawing
		enr	HANKE FENG	071614	
		chr	HANKE FENG	071614	
		appd	SHI JUN	071614	
sheet index	revision	B			
	sheet	1			