

F

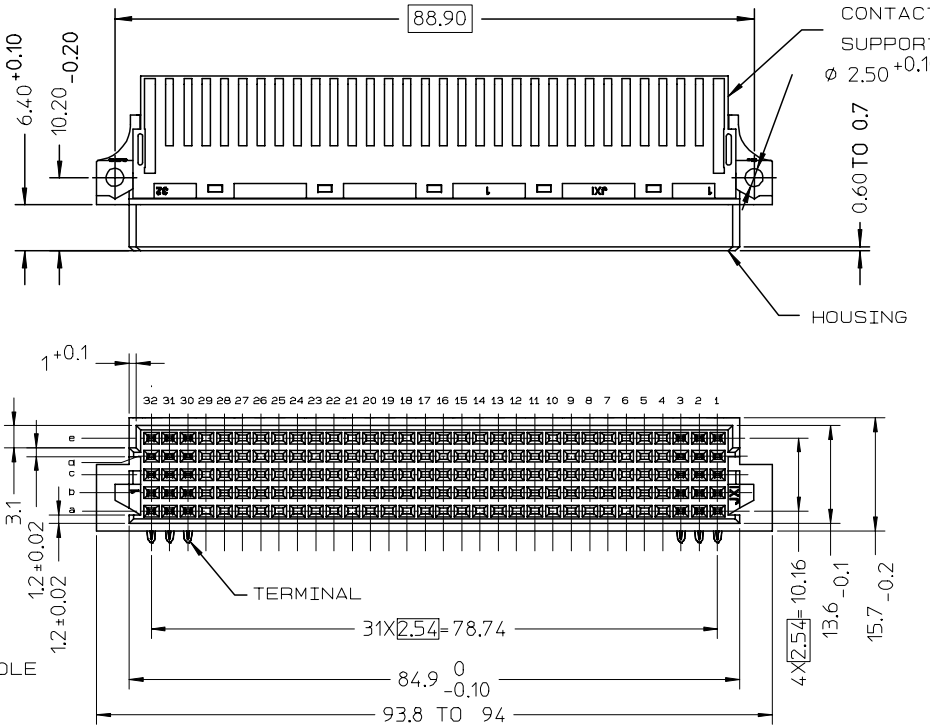
E

D

C

B

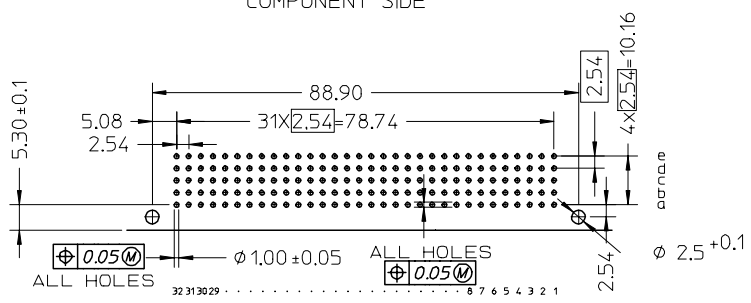
A



NOTES :

1. MATERIALS:  
HOUSING AND CONTACT SUPPORT- THERMOPLASTIC POLYESTER, GLASS FILLED, UL94V-0.  
COLOUR: BLACK  
TERMINAL - PHOSPHOR BRONZE.
2. FINISH: TERMINAL:-  
CONTACT AREA  
2.1 PERFORMANCE LEVEL 1: SELECTIVE GOLD (Au).  
THICKNESS = 1.25 MICROMETER  
OVER NICKEL, THICKNESS = 1.25 MICROMETER  
2.2 PERFORMANCE LEVEL 2: SELECTIVE GOLD (Au).  
THICKNESS = 0.75 MICROMETER  
OVER NICKEL, THICKNESS = 1.25 MICROMETER  
2.3. PERFORMANCE LEVEL 3: SELECTIVE GOLD (Au).  
THICKNESS = 0.38 MICROMETER  
OVER NICKEL, THICKNESS = 1.25 MICROMETER
- TERMINATION AREA(PRESS IN AREA) : SELECTIVE MATTE TIN  
THICKNESS = 2.5 MICROMETER OVER NICKEL.  
THICKNESS = 1.25 MICROMETER OVERALL
3. CONNECTOR TO BE SECURED WITH  
RIVETS : 2 TUBULATR RIVETS 2.5X0.3... DIN 7340  
SCREWS : 2 CHEESE HEADED SCREWS M2.5X... DIN 84  
AND 2 HEX NUTS
4. CUT FACES OF TIP WITHOUT PLATING PERMITTED
5. \*MOLEX\*, MATERIAL NUMBER, BATCH CODE.  
SHALL BE PRINTED ON THE CONNECTOR.
6. PRODUCT SPECIFICATION : PS-36582-001

RECOMENDED PCB LAYOUT  
COMPONENT SIDE



365820003	36582-0003	3
365820002	36582-0002	2
365820001	36582-0001	1
MATERIAL NUMBER	ENGINEERING NUMBER	PERFORMANCE LEVEL

EC NO: 12005-0080 DRWN:GDATHA 2004/12/20 CHKD:SUDHIR 2004/12/20 APPR:SSUDHIR 2004/12/21	QUALITY SYMBOLS ▽=0 ▽=0	GENERAL TOLERANCES (UNLESS SPECIFIED)		SCALE 1.5:1	DESIGN UNITS METRIC	THIRD ANGLE PROJECTION	REVISE ON CAD ONLY
		mm	INCH	DIMENSION STYLE MM ONLY	TITLE BTB;CIRCUIT=160;P=1 THRU;R/A;DIN41612;FML (PRESS FIT)		
A	DESCRIPTION	4 PLACES	± ---	± ---	DRAWN BY DATHA	DATE 2003/03/07	MATERIAL NO. SEE TABLE
		3 PLACES	± ---	± ---	CHECKED BY GJLOWE	DATE 2003/03/07	
		2 PLACES	± 0.1	± ---	SHEET NO. 1 OF 1		
		1 PLACE	± 0.15	± ---	THIS DRAWING CONTAINS INFORMATION THAT IS PROPRIETARY TO MOLEX INCORPORATED AND SHOULD NOT BE USED WITHOUT WRITTEN PERMISSION		
		ANGULAR ± 1 °		DRAFT WHERE APPLICABLE MUST REMAIN WITHIN DIMENSIONS			