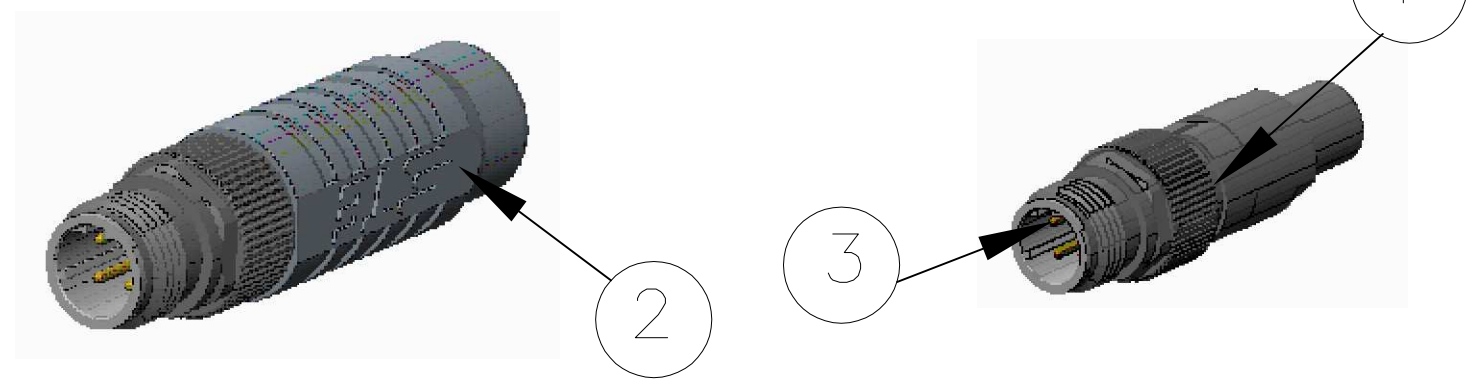
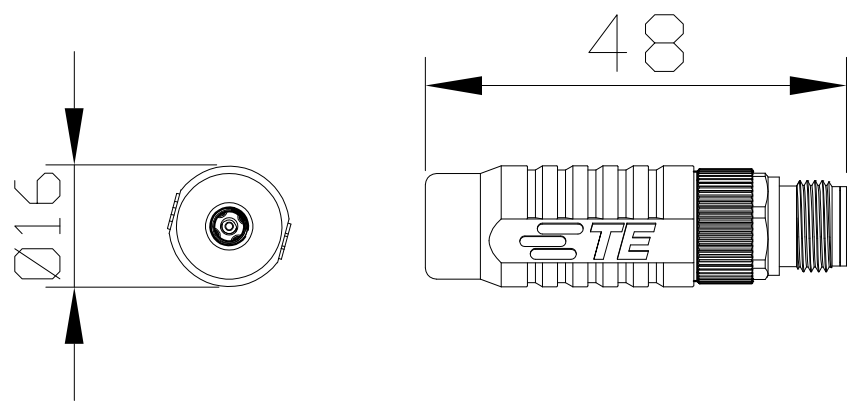


THIS DRAWING IS UNPUBLISHED. RELEASED FOR PUBLICATION NOV ,2007.
 © COPYRIGHT 2007 By - ALL RIGHTS RESERVED.

P	LTR	DESCRIPTION	DATE	DWN	APVD
	A2	ECR-16-014891	08MAR2017	KK	SE

PROJECT	PRJ-14-000004825
PART NO	X-2823445-X
HV DESC	RAIL M12, D-CODED,MALE
CUSTOMER	GENERAL MARKET

CABLE PLUG AS SHOWN



CODE	TE FG PN'S	NUMBER OF POLES IN CONNECTOR	NUMBER OF CONTACTS REQUIRED	CABLE PLUG	BULKHEAD PLUG	CABLE REFERENCE	AWG	HAND TOOL (TE PN) (COMPACT)	HAND TOOL (TE PN) (STANDARD)	RECOMMENDED POSITIONER (TE PN) (COMPACT)	RECOMMENDED POSITIONER (TE PN) (STANDARD)	CRIMP INSERT TE PN'S	CABLE JACKET STRIPPING TOOL TE PN	ASSEMBLY TOOL HANDLE FOR CRIMP FLANGE TE PN	UNIVERSAL INSERT TE PN (ALL M12 CODES)	ASSEMBLY TOOL FRONT HOUSING AND BACK NUT TE PN	CABLE COLOUR	NUMBER OF WIRES PER CABLE	CABLE MANUFACTURER	CABLE PN
D code	1-2823445-1	4	4	x		Cat 5 Radox 6.6mm	AWG22			TE : 601966-2 RECOMMENDED SETTINGS : MUST BE VALIDATED ON CABLE USED (SEL No.7)	TE : 1-2823582-4, RECOMMENDED SETTINGS : MUST BE VALIDATED ON CABLE USED	1-2823558-3	1-2823559-1	1-2823560-1	1-2823561-1	1-2823564-1	BLACK	4	H & S	12584038
D code	1-2823445-2	4	4	x		Cat 5 Radox 7.3mm	AWG22					1-2823558-4					BLACK	4	H & S	12568935
D code	1-2823445-3	4	4	x		Cat 5 Radox 8.3mm	AWG20					1-2823558-6					BLACK	4	H & S	12585489
D code	1-2823445-4	4	4	x		Cat 7 radox 8.2mm	AWG22					1-2823558-6					BLUE	8	H & S	84124806
D code	1-2823445-5	4	4	x		Cat 5 Radox 7.3mm	AWG22	TE PN : 601966-1	TE PN : 601967-1			1-2823558-4					BLACK	4	H & S	12568935
D code	1-2823445-6	4	4		x	Cat 5 Megaline 5.3mm	AWG26					1-2823558-1					GREY	8	Leoni	20123 3103012
D code	1-2823445-7	4	4		x	Cat 7 radox 8.2mm	AWG22					1-2823558-5					BLUE	8	H & S	84124806
D code	1-2823445-8	4	4	x		6.7mm	AWG22					1-2823558-1					BLACK	8	Belden	BE43769
D code	1-2823445-9	4	4	x		Cat 5 Radox 6.6mm	AWG22					1-2823558-2					BLACK	8	Leoni	303195
D code	2-2823445-0	4	4	x		TE CAT 7	AWG24					SEL No.5					AWG24	1-2823558-5	BLUE	8

NOTES:
 MATERIAL:
 ITEM NO. 1: HOUSING - BRASS, NICKEL PLATED.
 ITEM NO. 2: PLASTIC BODY - PA (UL94 V-0).
 ITEM NO. 3: CONTACT FINISH - Au (gold).
 CONTACT - CuZn (Brass).
 - ALL DIMENSIONS ARE FOR NOMINAL REFERENCE ONLY.
 -PACKAGING: 1 PIECE IN A BAG.
 -THE CONNECTOR IS AS PER IEC 61076-2-101.
 -TEMPERATURE RANGE: -40°C TO 85°C (WITH CABLE BOOT),
 -30°C TO 85°C (WITHOUT CABLE BOOT).
 -VIBRATION & SHOCK TEST CONDUCTED AS PER IEC 61373:1999.
 -FIRE PERFORMANCE CONDUCTED AS PER EN45545-2, NFF16-101 AND NFF16-102.
 -THE THREAD OF THE MATING INTERLACE WITH THE COUNTERPART IS M12x1 ACCORDING TO IEC61076-2-101.
 -CRIMP INSERT: SHOULD BE VALIDATED ON CABLE USED.
 -WEIGHT: 24 g.

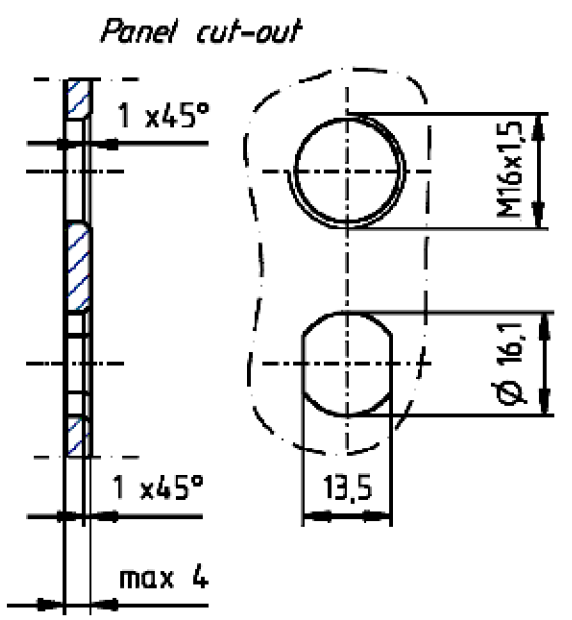
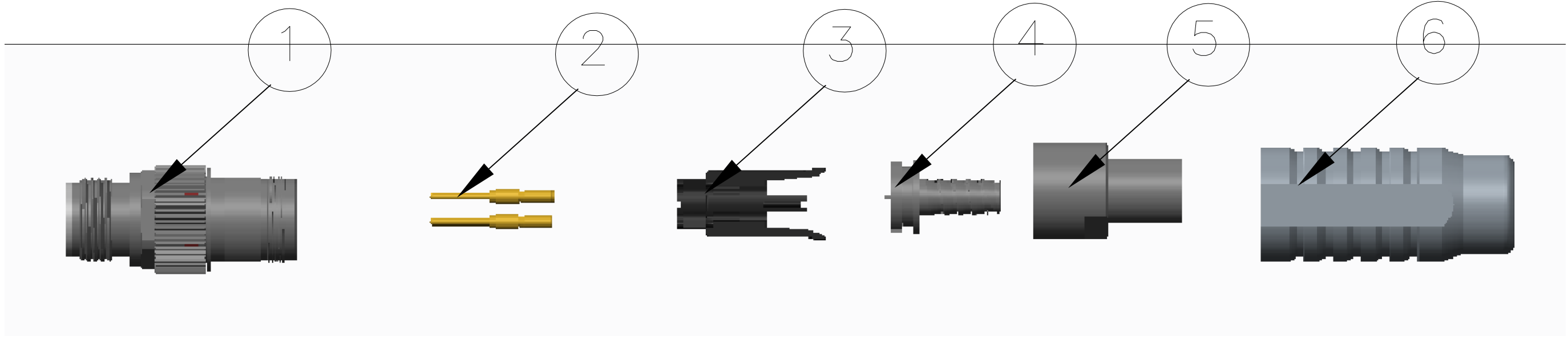
-REFER SPEC NO 408-156003 FOR INSTRUCTION SHEET (WITH CABLE SHIELD)
 -REFER SPEC NO 408-156021 FOR INSTRUCTION SHEET (WITHOUT CABLE SHIELD).
 -REFER SPEC NO 408-156020 FOR INSTRUCTION SHEET (BULKHEAD CABLE).

THIS DRAWING IS A CONTROLLED DOCUMENT.		DWN GUNA 30OCT2015	TE Connectivity RAIL M12, D-CODED MALE 4 CRIMP CONNECTORS				
DIMENSIONS: MM		CHK GANI 30OCT2015				NAME	
TOLERANCES UNLESS OTHERWISE SPECIFIED:		APVD JAYANTH 30OCT2015				PRODUCT SPEC	
0 PLC ± - 1 PLC ± - 2 PLC ± - 3 PLC ± - 4 PLC ± - ANGLES ± -		PRODUCT SPEC 108-156001				APPLICATION SPEC 408-156003	
MATERIAL	FINISH	WEIGHT	SIZE A3	CAGE CODE 00779	DRAWING NO C-2823445	RESTRICTED TO	
CUSTOMER DRAWING			SCALE NTS	SHEET 1 OF 2	REV A2		

THIS DRAWING IS UNPUBLISHED.		RELEASED FOR PUBLICATION NOV ,2007.	
© COPYRIGHT 2007 By -		ALL RIGHTS RESERVED.	
PROJECT	PRJ-14-000004825		
PART NO	X-2823445-X		
HV DESC	RAIL M12, D-CODED,MALE		
CUSTOMER	GENERAL MARKET		

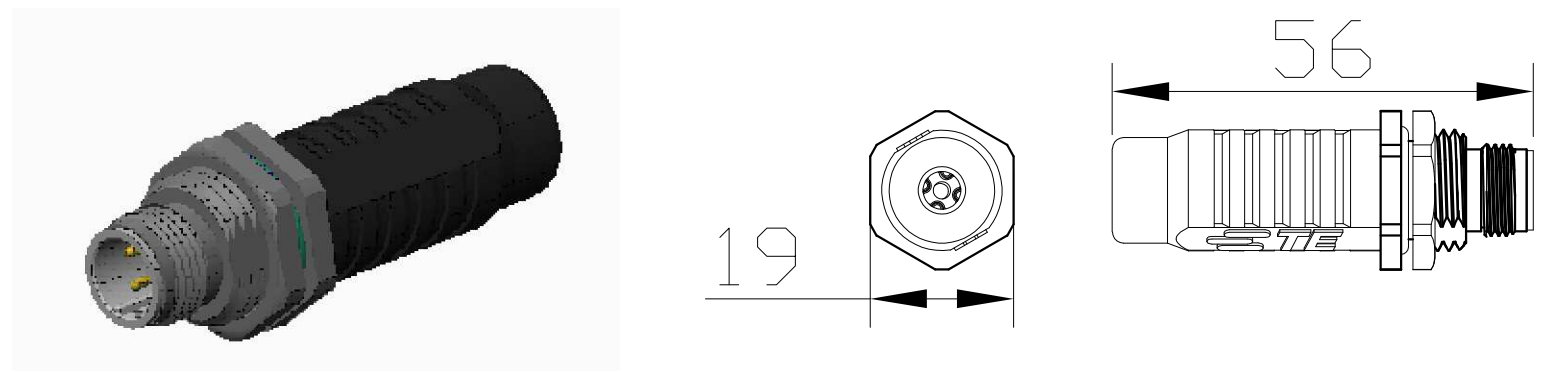
REVISIONS					
P	LTR	DESCRIPTION	DATE	DWN	APVD
-	-	SEE SHEET 1	-	-	-

CABLE PLUG AS SHOWN



CUSTOMER CAN CHOOSE ANY ONE OF THE PANEL CUT-OUT.

BULK HEAD PLUG TE PN'S: 1-2823445-6 & 1-2823445-7
BULK HEAD AS SHOWN



6	GRIP BOOT	1	PC
5	BACK NUT & CRIMP SLEEVE	1	PC
4	CRIMP INSERT	1	PC
3	CONTACT HOLDER	1	PC
2	CRIMP CONTACTS MACHINED	4	PC
1	FRONT HOUSING	1	PC
ITEM	DESCRIPTION	QTY	UNIT

THIS DRAWING IS A CONTROLLED DOCUMENT.		DWN	GUNA	30OCT2015	 TE Connectivity			
		CHK	GANI	30OCT2015				
		APVD	JAYANTH	30OCT2015				
		PRODUCT SPEC						
		APPLICATION SPEC			NAME	RAIL M12, D-CODED MALE 4 CRIMP CONNECTORS		
		WEIGHT			SIZE	A3		
		CUSTOMER DRAWING		SCALE	NTS	SHEET	2 OF 2	
				RESTRICTED TO			REV	A2