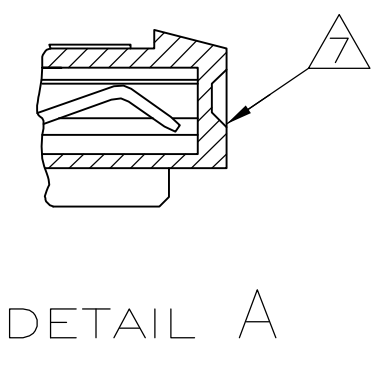
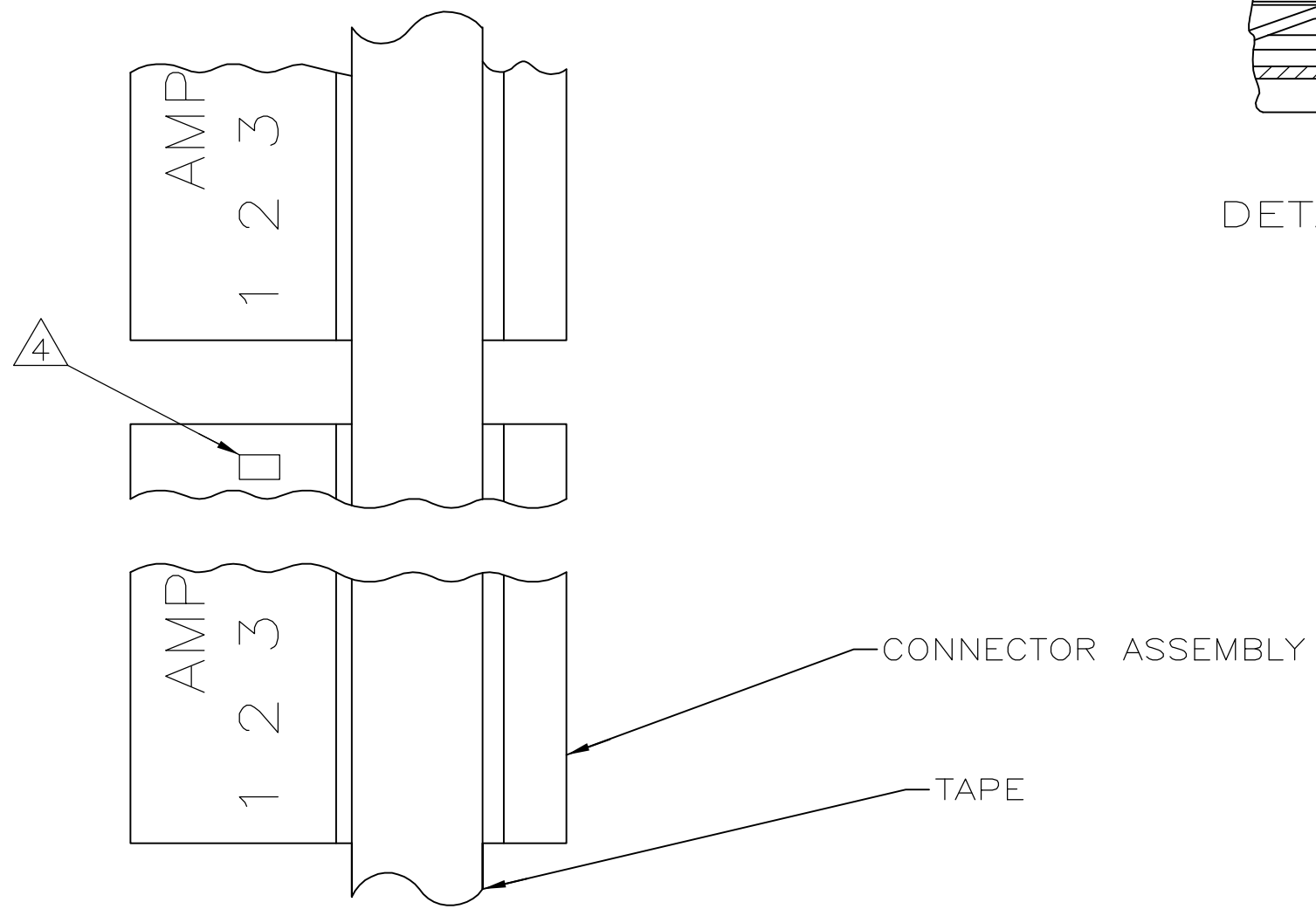
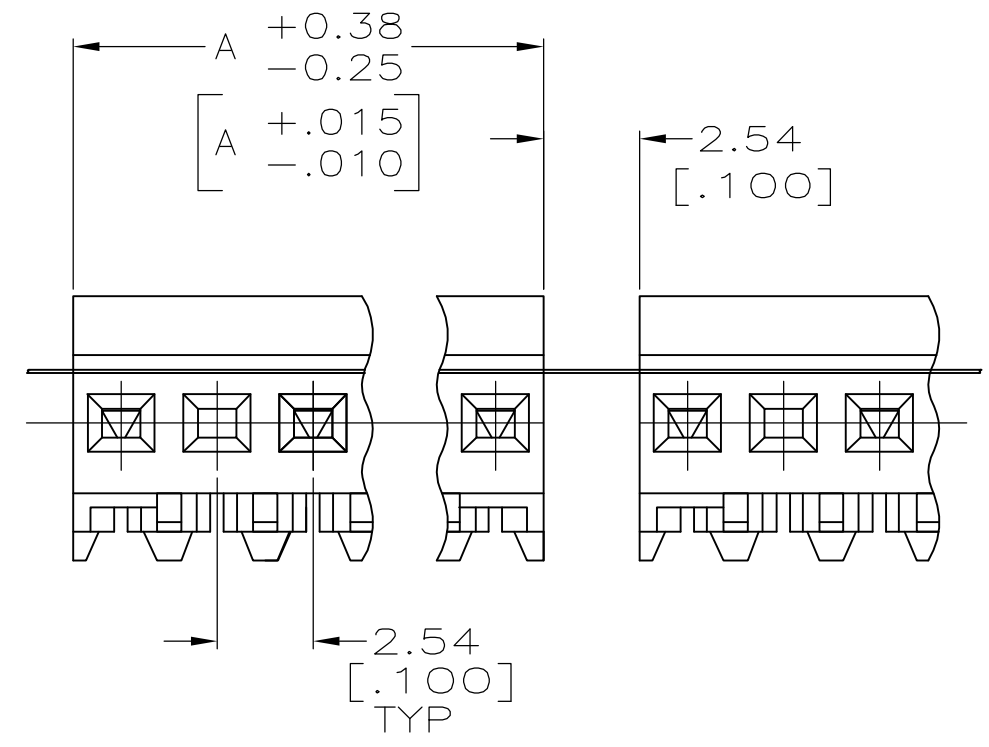
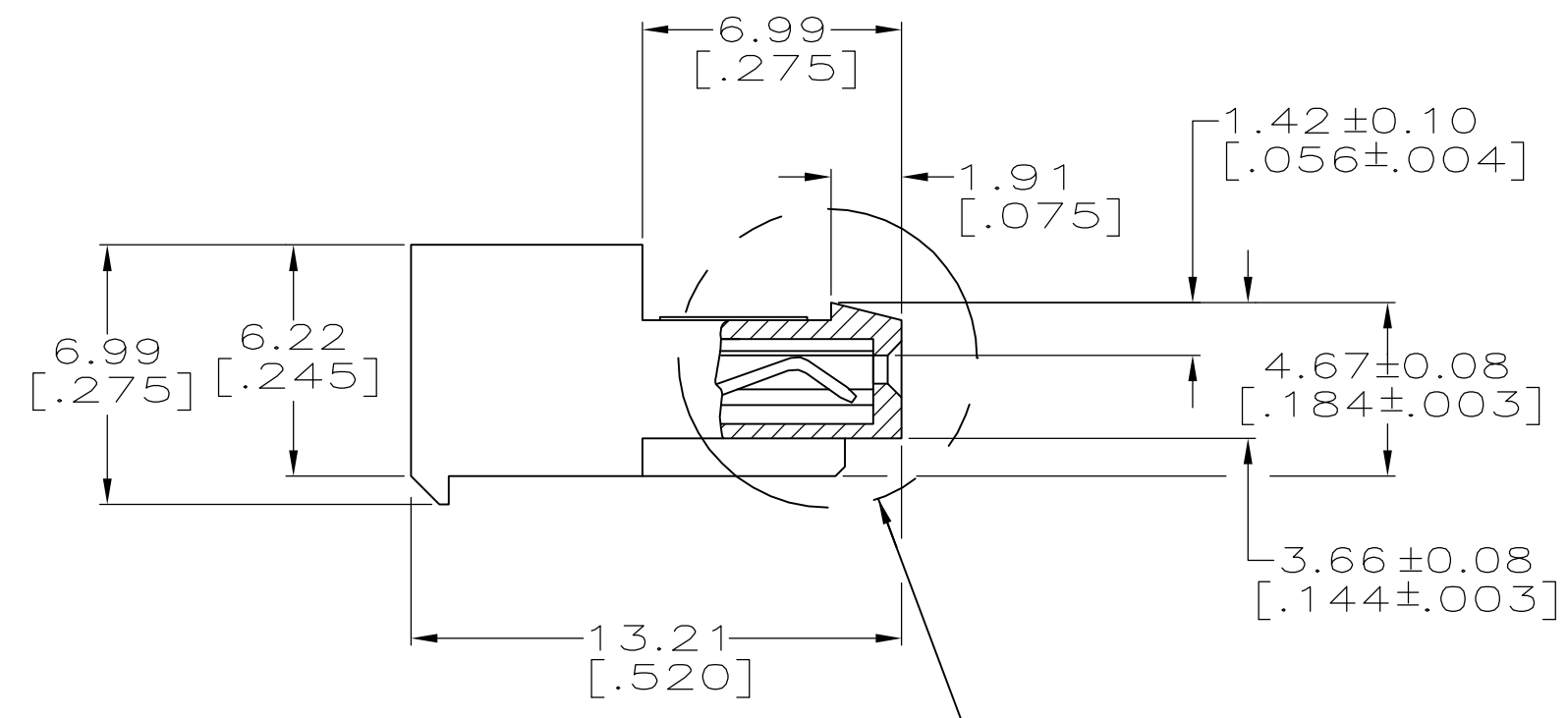


THIS DRAWING IS UNPUBLISHED. RELEASED FOR PUBLICATION  
 © COPYRIGHT BY TYCO ELECTRONICS CORPORATION. ALL RIGHTS RESERVED.

LOC	DIST	REVISIONS			
P	LTR	DESCRIPTION	DATE	DWN	APVD
CM	00				
		C	REVISED PER ECO-07-003757	01MAR07	KW DB



- 1 MATERIAL: CONNECTOR - NYLON UL94V-2 (WHITE).  
 CONTACTS - 0.30[.012] THICK COPPER ALLOY  
 MATTE WHISKER MITIGATED TIN  
 0.00203[.000080] MIN THICKNESS  
 OVER NICKEL UNDERPLATE OR BRIGHT  
 TIN-LEAD 93/7 0.00203[.000080] MIN  
 THICKNESS. SEE FINISH COLUMN FOR  
 PLATING TYPE.
- 2. CONTACTS ACCEPT 24 AWG WIRE WITH 1.52[.060] MAX  
 INSULATION DIAMETER.
- 3. CONTACTS MUST ACCEPT 0.36-0.51[.014-.020] SQUARE  
 OR ROUND POST AND REMAIN LOCKED IN POSITION.
- 4 IDENTIFICATION NUMBER FOR LAST CIRCUIT MAY  
 NOT APPEAR ON ALL ASSEMBLIES.
- 5. DIMENSIONS IN BRACKETS ARE IN INCHES.
- 6. HOUSING FEATURES ARE: CLOSED END WITH LOCKING  
 RAMP & LED CONTACT.
- 7 DETAIL A SHOWS CIRCUIT NO.2 MOLDED CLOSED.



SEE DETAIL A  
 FOR CLOSED CIRCUIT

DIM A	NO OF CKTS	PART NO
7.62 [.300]	3	3-644872-3
7.62 [.300]	3	644872-3

**METRIC**

THIS DRAWING IS A CONTROLLED DOCUMENT.

DIMENSIONS: mm [INCHES]	TOLERANCES UNLESS OTHERWISE SPECIFIED:	DWN K. WHITAKER 23JUNE2005	Tyco Electronics Corporation Harrisburg, Pa 17105-3608
0 PLC ± - 1 PLC ± - 2 PLC ± - 3 PLC ± 0.13 [.005] 4 PLC ± - ANGLES ± -	FINISH 1	CHK D. BOSSI 23JUNE2005	
MATERIAL 1		APVD D. BOSSI 23JUNE2005	NAME MTA-100 CONNECTOR ASSEMBLY, 24 AWG, NO.2 CIRCUIT CLOSED, FOR .014 TO .020 POST
		PRODUCT SPEC 108-1050	SIZE A2
		APPLICATION SPEC 114-1019	CAGE CODE 00779
		WEIGHT -	DRAWING NO C=644872
		CUSTOMER DRAWING	RESTRICTED TO -
		SCALE 5:1	SHEET 1 OF 1
			REV C