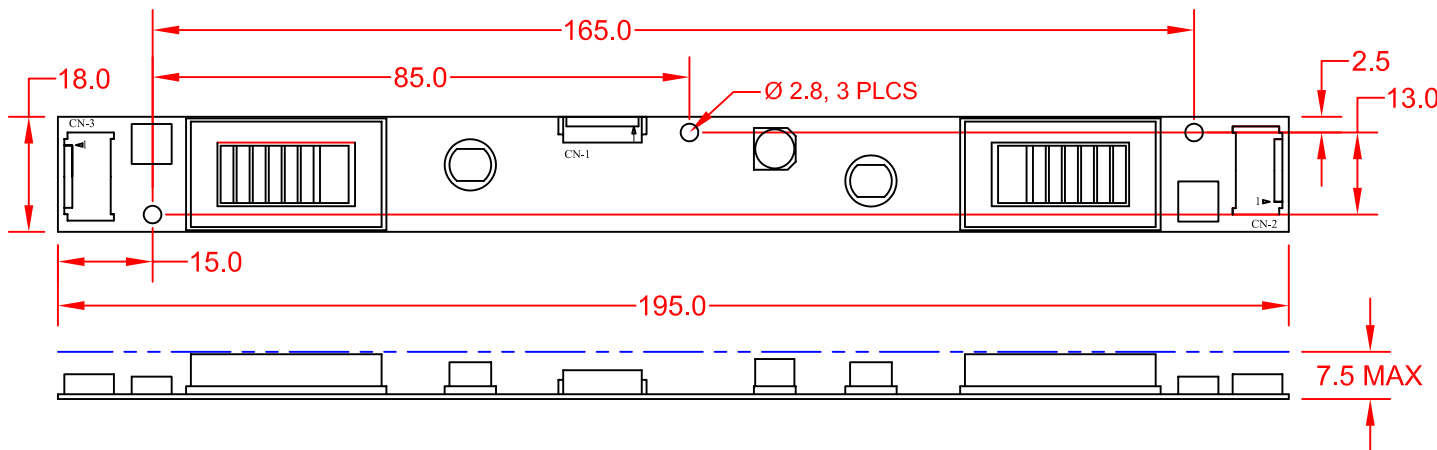
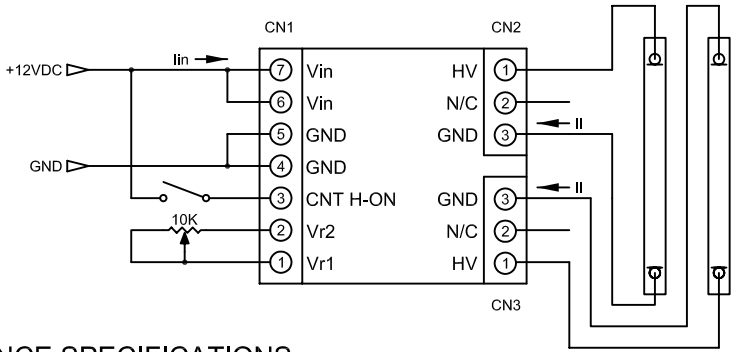


REV	DESCRIPTION/ECO NO.	DATE
	ENGR. RELEASED TO CAD	8/5/04
A	PIN # CORR. ON CONTROLS FUNCTION	8/5/04
B	CHNG ELEC. SPECS, CHAR'S, RATINGS	7/7/06



**WIRING DIAGRAM:**



**MATING CONNECTORS:**

REF.	DESCRIPTION	PART NUMBER	MFG.
CN-1	INPUT HOUSING TERMINAL	51021-0700 50079-8000	MOLEX
	INPUT HARNESS	BXC-10630	JKL
CN-2 & CN-3	OUTPUT 1 & 2 HOUSING TERMINAL	BHR-03VS-1 SBH-001T-P0.5	JST
CN-2 & CN-3	OUTPUT 1 & 2 HARNESS	BXC-10643 (2 required)	JKL

**PERFORMANCE SPECIFICATIONS:**

DESCRIPTION	SYM	MIN	TYP	MAX	UNITS
INPUT VOLTAGE	V <sub>IN</sub>	10.8	12.0	13.2	V DC
INPUT CURRENT	I <sub>IN</sub>	---	1100	---	MA DC
OUTPUT VOLTAGE	V <sub>L</sub>	---	1800	---	V RMS
OUTPUT CURRENT	I <sub>L</sub>	5.0	6.0	7.0	MA RMS
OSC. FREQUENCY	F <sub>0</sub>	---	40.0	---	K HZ

TESTED WITH 2 EACH 3MM X 330MM LAMPS, AT 25°C, V<sub>IN</sub>= 12.0V ± 0.1V.

**OPERATING CHARACTERISTICS:**

INPUT VOLTAGE RANGE: 10.8 Vdc to 13.2 Vdc  
 MAX INPUT POWER: 15.0 WATTS  
 OUTPUT DIMMING RANGE (R MODE): 40% TO 100%  
 OUTPUT DIMMING RANGE (V MODE): N/A  
 OPERATING TEMPERATURE RANGE: 0°C TO 60°C  
 STORAGE TEMPERATURE RANGE: -20°C TO 70°C

**ABSOLUTE MAXIMUM RATINGS:**

MAXIMUM INPUT VOLTAGE: 16.0 Vdc  
 MAXIMUM RELATIVE HUMIDITY: 95%

**CONTROL FUNCTIONS:**

CNT (INPUT PIN 3) IS USED AS AN INHIBIT FUNCTION, "GND" OR "OPEN" EQUALS OFF. "+V" EQUALS ON.

R MODE DIMMING: VRI AND VR2 (INPUT PINS 1 AND 2) ARE USED TO PROVIDE, THE DIMMING FUNCTION, "0" OHMS EQUALS 100% LIGHT OUTPUT, "10K" OHMS EQUALS 40% LIGHT OUTPUT.

NOTE: THE SWITCH AND POTENTIOMETER SHOWN ON THE WIRING DIAGRAM ARE NOT A PART OF THE BXA-12610-7M INVERTER. THESE PARTS ARE AVAILABLE FROM MOST ELECTRONIC PARTS DISTRIBUTORS.

<p>THIRD ANGLE PROJECTION</p>	<p>METRIC</p>	<p>DIMENSIONS ARE IN MILLIMETERS</p>	<p><b>JKL COMPONENTS CORPORATION</b></p>			
	<p>TOLERANCE UNLESS OTHERWISE SPECIFIED          1 PL +/- REF.          2 PL +/- ANGLE +/- 0</p>					
<p>DRAWN BY L. WENGSTROM</p>	<p>APPV'D BY LARRY R.</p>	<p>DATE 7/7/06</p>	<p>SIZE A</p>	<p>FSCM NO. 55335</p>	<p>DRAWING NO. BXA-12610-7M</p>	
<p>- CAD DRAWING - MANUAL REVISIONS NOT PERMITTED</p>			<p>SCALE NONE</p>	<p>RELEASED DATE 8/5/04</p>	<p>REVISION DATE 7/7/06</p>	
				<p>REV. NO. B</p>	<p>SHEET 1 OF 1</p>	