

10 9 8 7 6 5 4 3 2 1

F

F

E

E

D

D

C

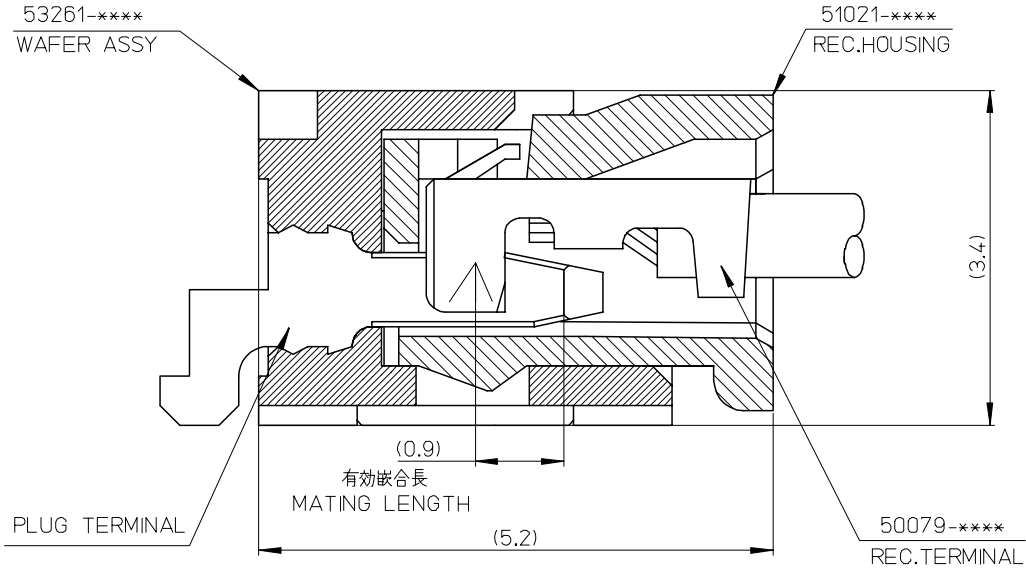
C

B

B

A

A



53261-****	WAFER ASSY	MODEL NO./MATERIAL NO.
50079-****	TERMINAL	
51021-****	HOUSING	

RELEASED EC NO: J2006-2426 DRWN: A0YAGI 2006/02/02 CHKD: YMAEDA 2006/02/03 APPR: NUKITA 2006/02/07	GENERAL TOLERANCES (UNLESS SPECIFIED)		DIMENSION STYLE MM ONLY		SCALE ---	DESIGN UNITS METRIC	THIRD ANGLE PROJECTION	
	10 UNDER	± ---	DRAWN BY Y. A0YAGI	DATE 2006/01/30	TITLE 1.25 W-TO-B CONN. 51021,53261 MATING CROSS SECTION			
	10 OVER 30 UNDER	± ---	CHECKED BY Y. MAEDA	DATE 2006/01/30	MOLEX INCORPORATED			
	30 OVER	± ---	APPROVED BY N. UKITA	DATE 2006/01/30	DOCUMENT NO. SD-51021-002			
	ANGULAR	± --- °	MATERIAL NO. SEE CHART		SHEET NO. 1 OF 1			
0	DRAFT WHERE APPLICABLE MUST REMAIN WITHIN DIMENSIONS		SIZE A3		THIS DRAWING CONTAINS INFORMATION THAT IS PROPRIETARY TO MOLEX INCORPORATED AND SHOULD NOT BE USED WITHOUT WRITTEN PERMISSION			

9

8

7

6

5

4

3

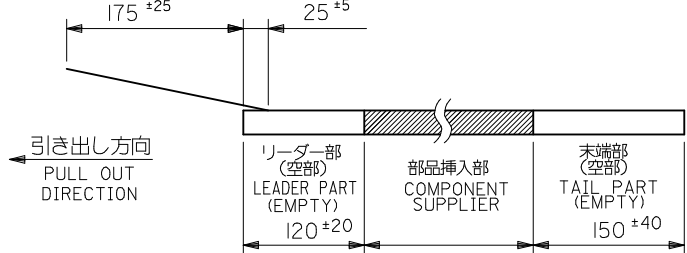
2

注記
NOTES

1. 53261-**-17 の詳細寸法については図面 SD-53261-025 を参照下さい。
RE DETAILED DIMENSIONS,SEE SD-53261-025

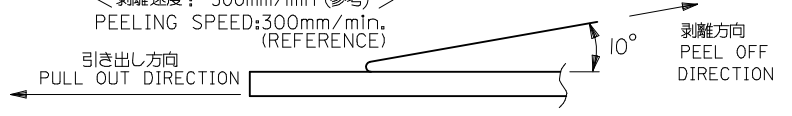
2. 梱包数量：1000個/リール
NUMBER OF CONNECTOR:1000PCS/REEL

3. リードテープ長さ LEAD TAPE LENGTH
トップテープリーダ部 TOP TAPE LEADER PART 175⁺²⁵
トップテープ未接着部 TOP TAPE NON-BONDED PART 25⁺⁵



4. トップテープの剥離強度：0.1~1.3N {10 ~ 130gf} (剥離方向は下図参照)
PEELING OFF FORCE OF TOP TAPE: 0.1~1.3N {10 ~ 130gf} (PEELING DIRECTION IS SHOWN IN FOLLOWING FIG.)

<剥離速度：300mm/min (参考)>
PEELING SPEED:300mm/min. (REFERENCE)



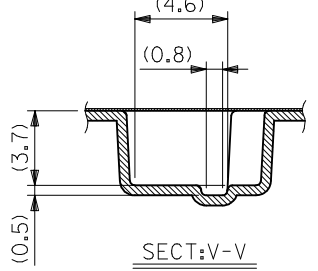
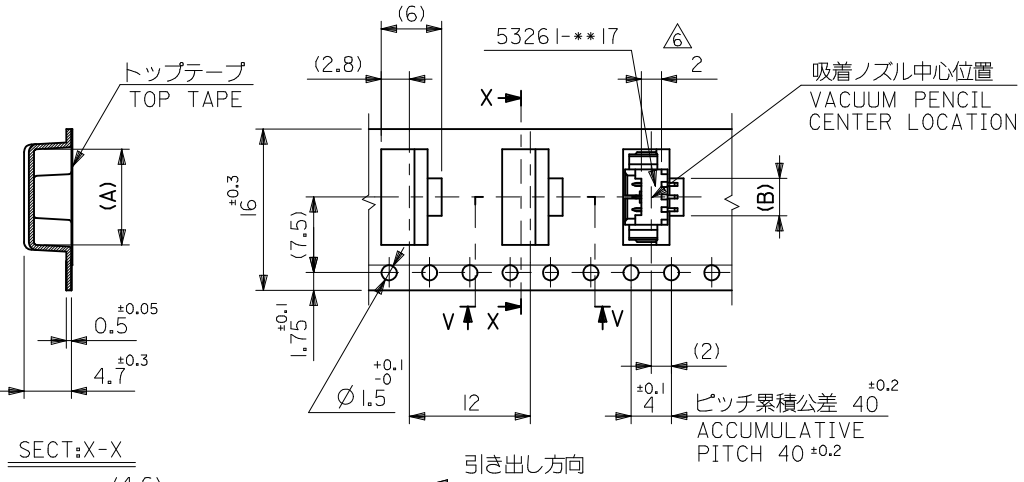
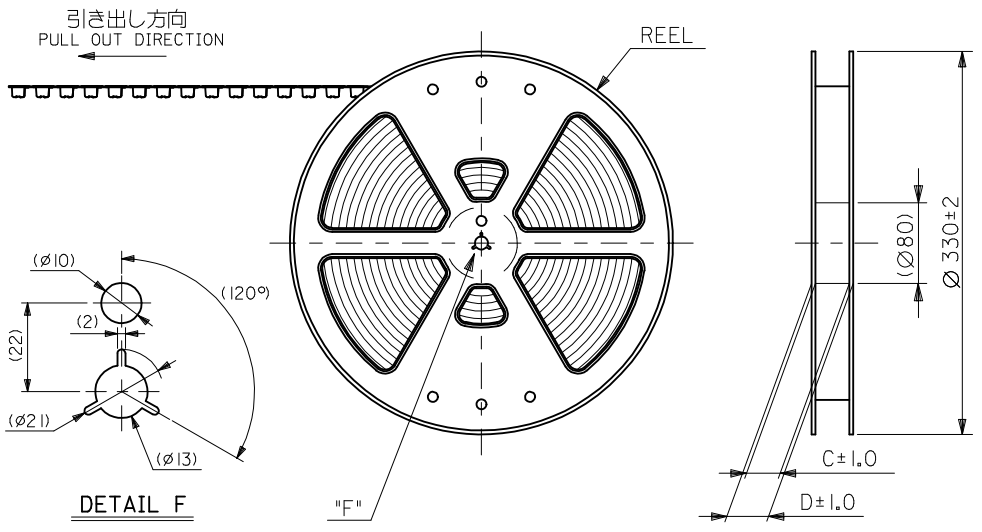
5. 材料 (MATERIAL)
キャリアテープ (CARRIER TAPE): ポリプロピレン (POLYPROPYLENE)
トップテープ (TOP TAPE): PET ,PE ,PEF
リール (REEL): ポリスチレン (P S) <リサイクル材含む> POLYSTYRENE (PS) <RECYCLE MATERIAL CONTAINED>

△ コネクタ、ハウジング平面部
CONNECTOR, HOUSING FLAT AREA

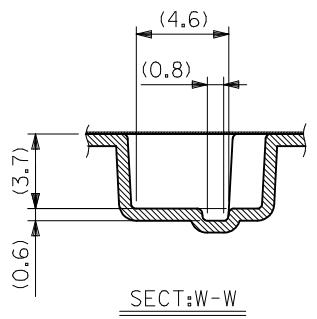
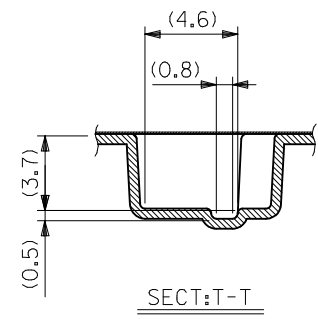
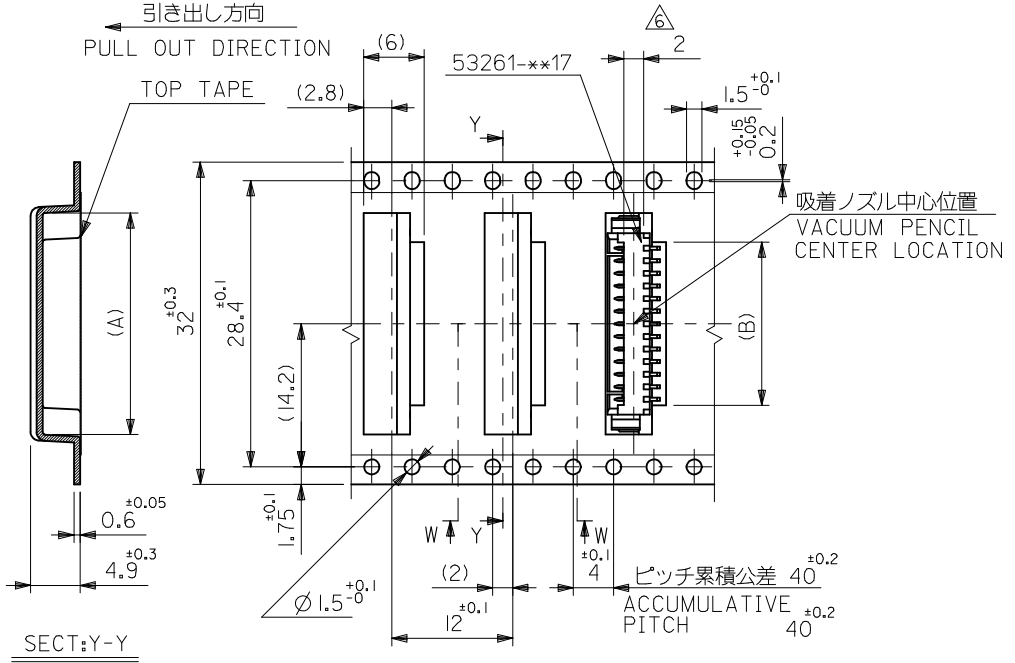
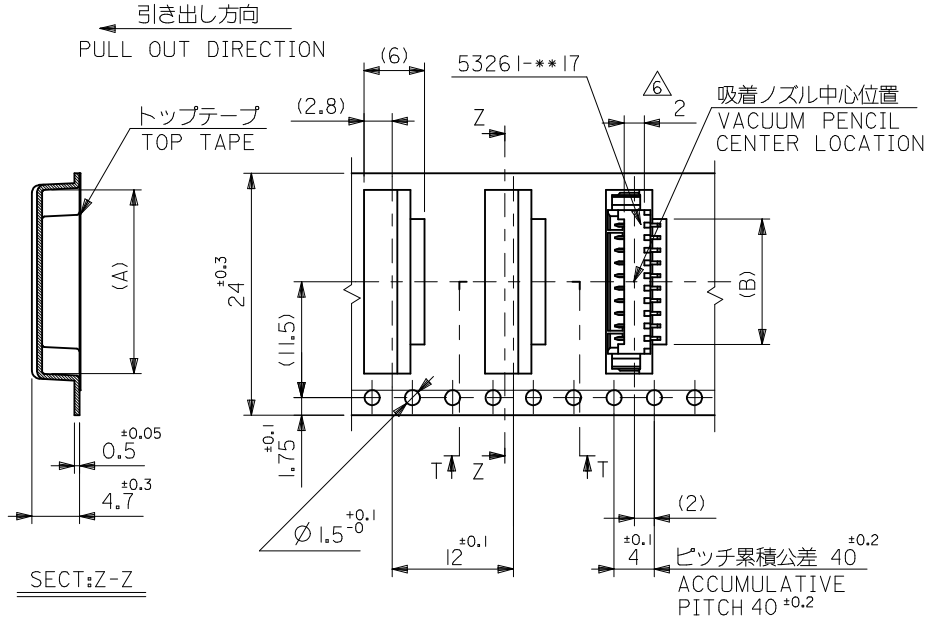
7. 本製品は53261-**-95, -**-98の鉛フリー品である。
THIS PRODUCT IS LEAD FREE OF 53261-**-95, -**-98.

8. 本製品は乾燥剤入り、ハイバリア梱包品である。
THIS PRODUCT IS HIGH BARRIER PACKAGE WITH DESICCANT.

16	21.4	17.4	2.45	8.25	53261-0227	2
キャリアテープ幅 CARRIER TAPE WIDTH	D	C	B	A	MATERIAL NO.	極数 CKT.
					MODEL No.	53261-**-27



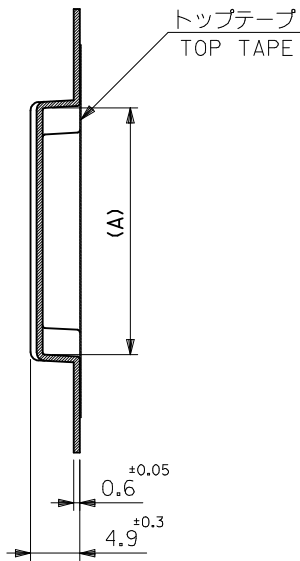
REVISED	EC NO: J2009-2060	2009/05/20	DRWN:TKON	2009/05/21	CHKD:HATSUMOTO	2009/05/21	APPR:NUKITA	2009/05/21	
DESCRIPTION	GENERAL TOLERANCES (UNLESS SPECIFIED)								
REV	10 UNDER	±0.2	DIMENSION STYLE MM ONLY						SCALE ---
	10 OVER 30 UNDER	±0.25	DRAWN BY Y. WADA						DATE '04/04/12
	30 OVER	±0.3	CHECKED BY M. SASAO						DATE '04/04/12
	ANGULAR ±3 °		APPROVED BY M. SASAO						DATE '04/04/12
	DRAFT WHERE APPLICABLE MUST REMAIN WITHIN DIMENSIONS		MATERIAL NO.						DOCUMENT NO.
			SEE CHART						SD-53261-026
			SIZE A3						TITLE 1.25 W/B CONN. WAFER ASSY SMT EMBSTP PKG -LEAD FREE-
			THIS DRAWING CONTAINS INFORMATION THAT IS PROPRIETARY TO MOLEX INCORPORATED AND SHOULD NOT BE USED WITHOUT WRITTEN PERMISSION						SHEET NO. 1 OF 3



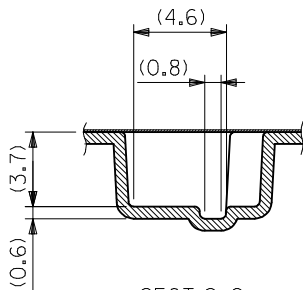
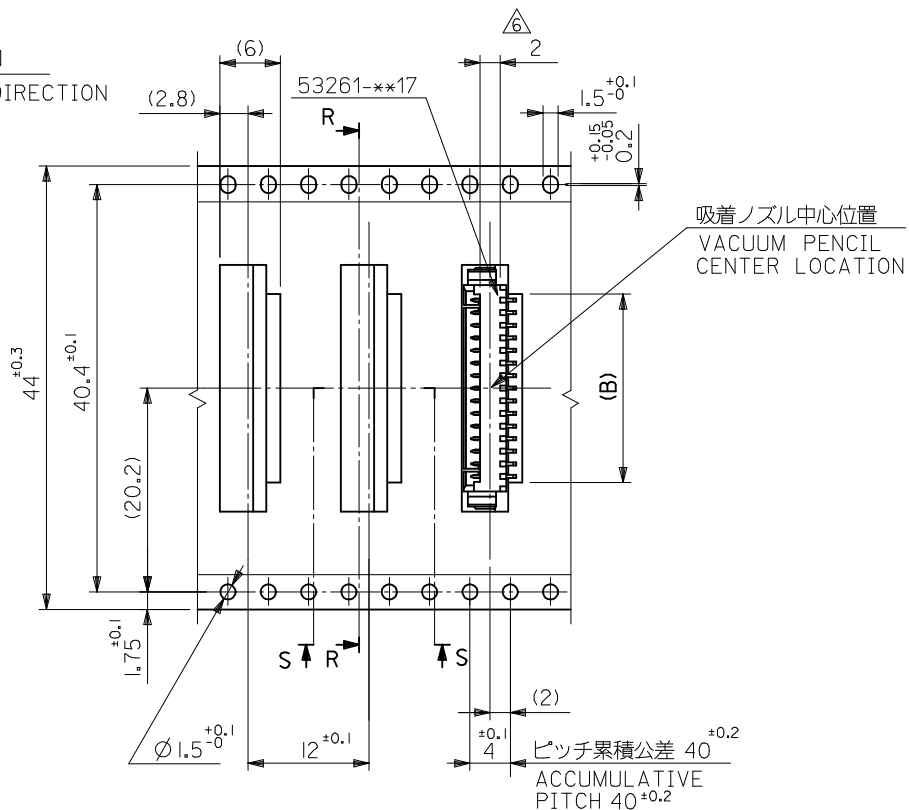
32	37.4	33.4	14.95	20.75	53261-1227	12
24	29.4	25.4	11.2	17	53261-0927	9
			9.95	15.75	53261-0827	8
			8.7	14.5	53261-0727	7
			7.45	13.25	53261-0627	6
			6.2	12	53261-0527	5
			4.95	10.75	53261-0427	4
			3.7	9.5	53261-0327	3
キャリアテープ幅 CARRIER TAPE WIDTH	D	C	B	A	MATERIAL NO.	極数 CKT.

REVISED EC NO: J2009-2060 DRWN:TKON 2009/05/20 CHKD:HATSUMOTO 2009/05/21 APPR:NUKITA 2009/05/21 REV D	GENERAL TOLERANCES (UNLESS SPECIFIED)		DIMENSION STYLE MM ONLY		SCALE ---	DESIGN UNITS METRIC	THIRD ANGLE PROJECTION
	10 UNDER	±0.2	DRAWN BY	DATE	TITLE		
	10 OVER 30 UNDER	±0.25	Y. WADA	'04/04/12	1.25 W/B CONN. WAFER ASSY SMT EMBSTP PKG -LEAD FREE- MOLEX INCORPORATED		
	30 OVER	±0.3	M. SASAO	'04/04/12			
ANGULAR ±3 ° DRAFT WHERE APPLICABLE MUST REMAIN WITHIN DIMENSIONS		APPROVED BY M. SASAO '04/04/12	MATERIAL NO. SEE CHART	DOCUMENT NO. SD-53261-026	SHEET NO. 2 OF 3		
THIS DRAWING CONTAINS INFORMATION THAT IS PROPRIETARY TO MOLEX INCORPORATED AND SHOULD NOT BE USED WITHOUT WRITTEN PERMISSION							

引き出し方向
PULL OUT DIRECTION



SECT:R-R



SECT:S-S

44mm幅キャリアテープ
44mm WIDTH CARRIER TAPE

44	49.5	45.4	17.45	23.25	53261-1427	14
キャリアテープ幅 CARRIER TAPE WIDTH	D	C	B	A	MATERIAL NO.	極数 CKT.
					MODEL NO.	53261-**27

REVISED EC NO: J2009-2060 DRWN:TKON CHKD:HATSUMOTO APPR:NUKITA	DESCRIPTION REV	GENERAL TOLERANCES (UNLESS SPECIFIED)		DIMENSION STYLE MM ONLY		SCALE ---	DESIGN UNITS METRIC	THIRD ANGLE PROJECTION		
		10 UNDER	±0.2	DRAWN BY Y. WADA	DATE '04/04/12	TITLE 1.25 W/B CONN. WAFER ASSY SMT EMBSTP PKG -LEAD FREE-				
		10 OVER 30 UNDER	±0.25	CHECKED BY M. SASAO	DATE '04/04/12	MOLEX INCORPORATED				
		30 OVER	±0.3	APPROVED BY M. SASAO	DATE '04/04/12	DOCUMENT NO. SD-53261-026				
ANGULAR ±3 °		DRAFT WHERE APPLICABLE MUST REMAIN WITHIN DIMENSIONS		MATERIAL NO. SEE CHART		SHEET NO. 3 OF 3				
THIS DRAWING CONTAINS INFORMATION THAT IS PROPRIETARY TO MOLEX INCORPORATED AND SHOULD NOT BE USED WITHOUT WRITTEN PERMISSION										