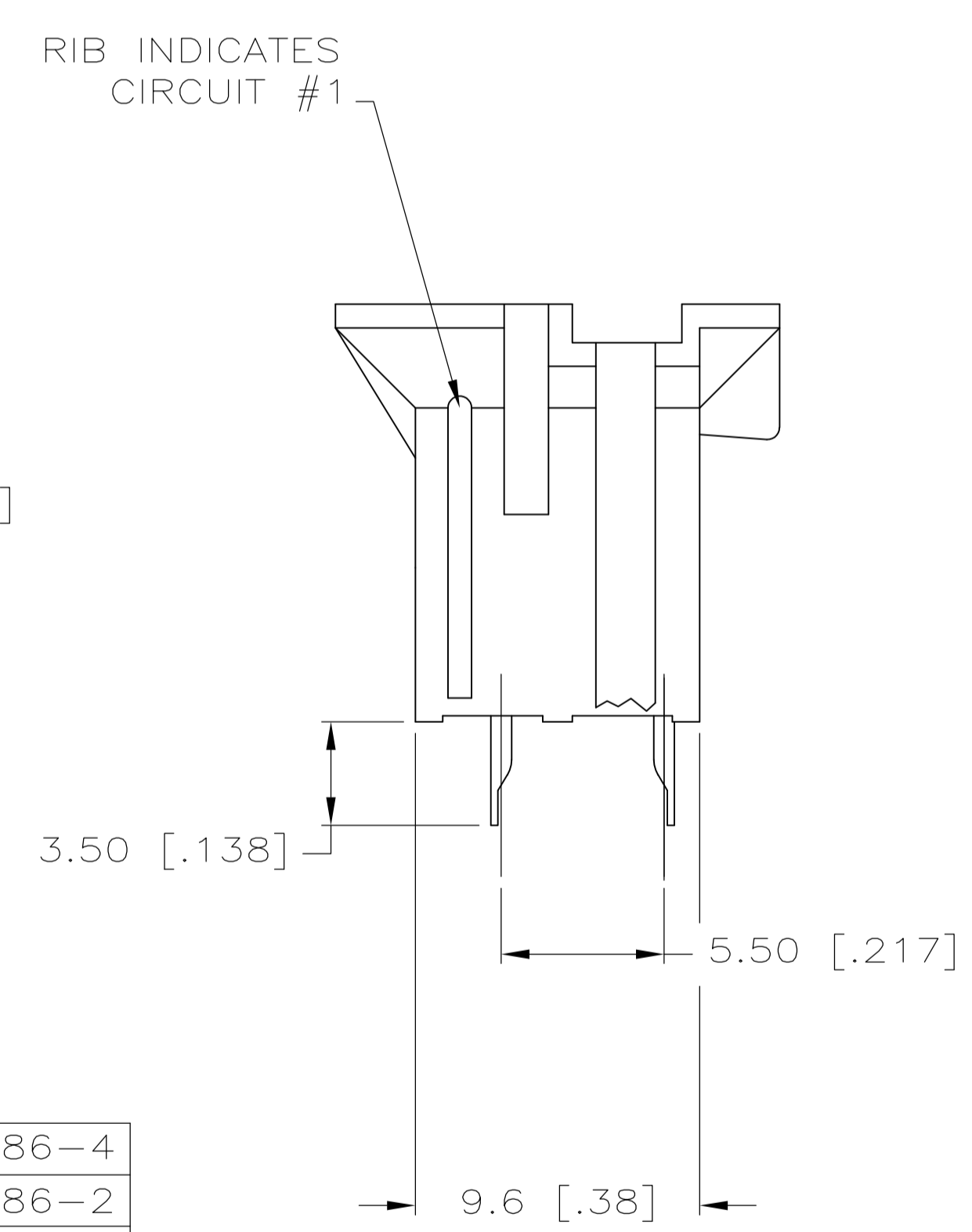
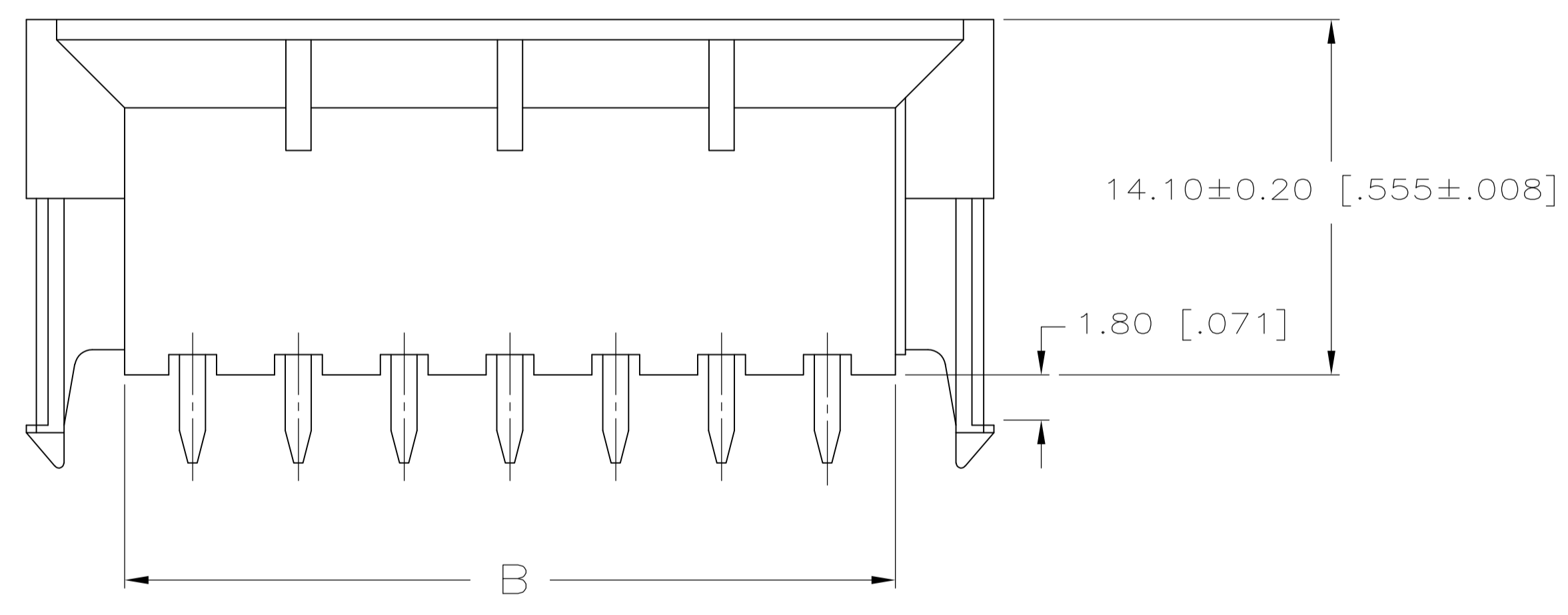


RECOMMENDED HOLE LAYOUT FOR 1.78 [.070] MAXIMUM THICK PC BOARD.



- 1 MATERIAL: HOUSING-NYLON, UL94V-2 (COLOR-NATURAL, COLOR OF PARTS MAY VARY). CONTACTS-0.25 [.010] THICK BRASS ALLOY
- 2 CONTACT FINISH: 0.000100 [.0000039] MIN. MATTE TIN OVER 0.000050 [.0000020] MIN. NICKEL OVER ENTIRE CONTACT.
- 3 MATES WITH 4.2mm P.E. RECEPTACLE HOUSINGS.

| | | | | | | |
|-------------|-------------|-------------|-------------|-------------|----|-------------|
| 59.4 [2.32] | 57.0 [2.24] | 55.6 [2.19] | 51.6 [2.03] | 46.2 [1.82] | 24 | 2-1586586-4 |
| 55.2 [2.17] | 52.0 [2.08] | 51.4 [2.02] | 47.4 [1.87] | 42.0 [1.65] | 22 | 2-1586586-2 |
| 51.0 [2.01] | 48.6 [1.91] | 47.2 [1.86] | 43.2 [1.70] | 37.8 [1.49] | 20 | 2-1586586-0 |
| 46.8 [1.84] | 44.4 [1.75] | 43.0 [1.69] | 39.0 [1.54] | 33.6 [1.32] | 18 | 1-1586586-8 |
| 42.6 [1.69] | 40.2 [1.58] | 38.8 [1.53] | 34.8 [1.37] | 29.4 [1.58] | 16 | 1-1586586-6 |
| 38.4 [1.51] | 36.0 [1.42] | 34.6 [1.36] | 30.6 [1.20] | 25.2 [0.99] | 14 | 1-1586586-4 |
| 34.2 [1.35] | 31.8 [1.25] | 30.4 [1.20] | 26.4 [1.04] | 21.0 [0.83] | 12 | 1-1586586-2 |
| 30.0 [1.18] | 27.6 [1.09] | 26.2 [1.03] | 22.2 [.87] | 16.8 [0.66] | 10 | 1-1586586-0 |
| 25.8 [1.02] | 23.4 [.92] | 22.0 [0.87] | 18.0 [.71] | 12.6 [0.50] | 8 | 1586586-8 |
| 21.6 [.85] | 19.2 [.76] | 17.8 [0.70] | 13.8 [.54] | 8.4 [0.33] | 6 | 1586586-6 |
| 17.4 [.69] | 15.0 [.59] | 13.6 [0.54] | 9.6 [.38] | 4.2 [0.17] | 4 | 1586586-4 |
| 13.2 [.52] | 10.8 [.43] | 9.4 [.37] | 5.4 [.21] | — | 2 | 1586586-2 |

| | | | | | | |
|-----|-----|---|---|-----|-----|-------------|
| (E) | (D) | C | B | (A) | POS | PART NUMBER |
|-----|-----|---|---|-----|-----|-------------|

METRIC

| | | | | |
|----------------------------------------|----------------|----------------------------|---------------------------------------------------------------------------------------|---------------------|
| THIS DRAWING IS A CONTROLLED DOCUMENT. | | DIN S. HOOVER 12-NOV-2004 | Tyco Electronics Corporation Harrisburg, PA 17105-3608 | |
| DIMENSIONS: mm [INCHES] | | CHK: D. COLEY 12-NOV-2004 | NAME: Tyco Electronics | |
| TOLERANCES UNLESS OTHERWISE SPECIFIED: | | APVD: D. COLEY 12-NOV-2004 | PRODUCT SPEC: VERTICAL HEADER ASSEMBLY - BLINDMATE WITHOUT DRAIN HOLES, VAL-U-LOK(TM) | |
| 0 PLC ± | 1 PLC ± | APPLICATION SPEC | | |
| 2 PLC ± 0.13 [.005] | 3 PLC ± | SIZE: A1 | CAGE CODE: 00779 | DRAWING NO: 1586586 |
| 4 PLC ± | ANGLES ± 0°30' | WEIGHT: | SCALE: 5:1 | SHEET: 1 OF 1 |
| MATERIAL: 1 | FINISH: 2 | CUSTOMER DRAWING | | |