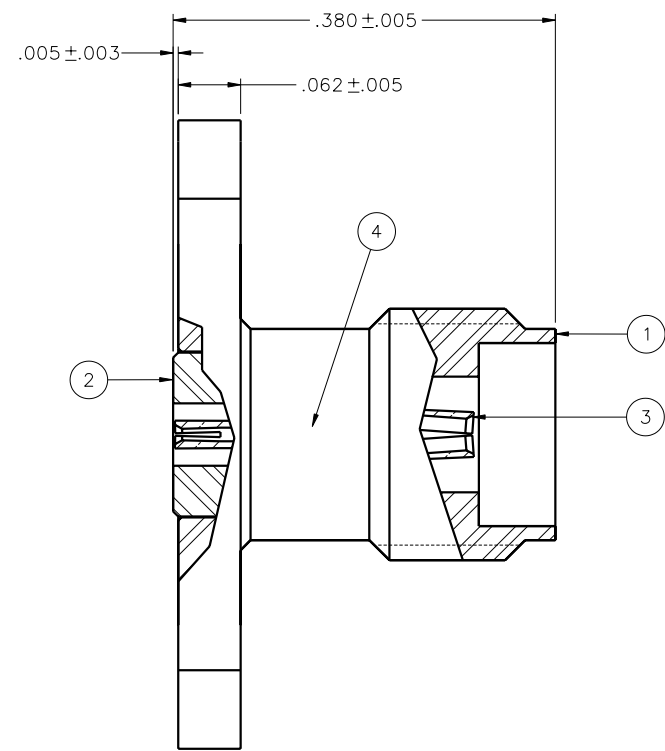
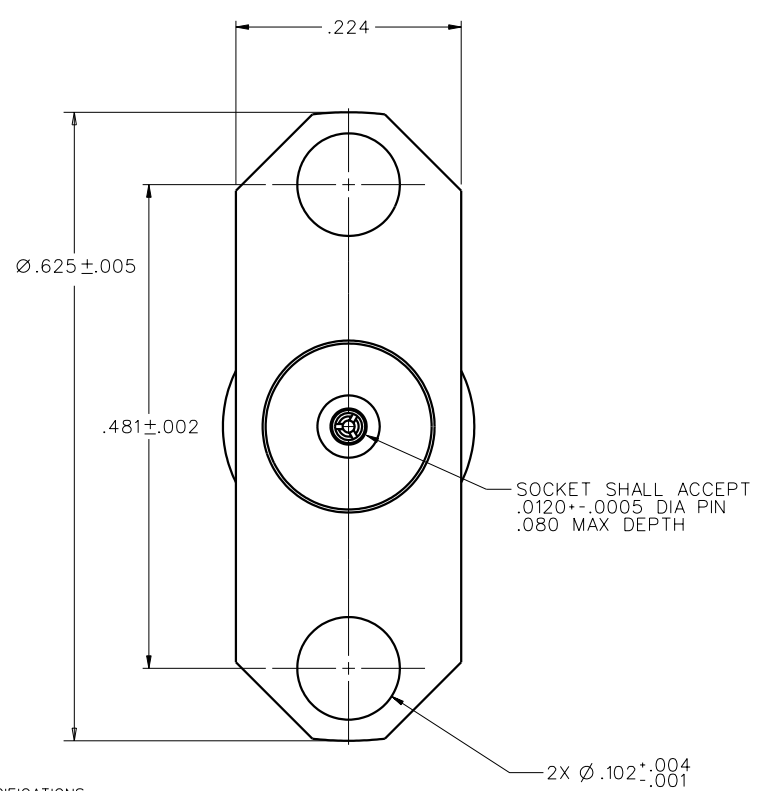


PART NUMBER	ITEM ① BODY	ITEM ② INSERT	ITEM ③ CONTACT	ITEM ④ SUPPORT BEAD
145-0701-601	STAINLESS STEEL GOLD PL .00005 MIN OVER NICKEL PL .00005 MIN	STAINLESS STEEL GOLD PL .00005 MIN OVER NICKEL PL .00005 MIN	BERYLLIUM COPPER GOLD PL .00005 MIN OVER NICKEL PL .00005 MIN OVER COPPER PL .00005 MIN	PPE RESIN
145-0701-602	STAINLESS STEEL PASSIVATE	STAINLESS STEEL PASSIVATE	BERYLLIUM COPPER GOLD PL .00005 MIN OVER NICKEL PL .00005 MIN OVER COPPER PL .00005 MIN	PPE RESIN

DRAWING NO. C - 145-0701-601/610	
0	REVISIONS
ENGINEERING RELEASE	
1	10-14-03 R1 H1 K1 B1 ECN 49011



NOTES:

1. SPECIFICATIONS:
- IMPEDANCE: 50 OHMS
 FREQUENCY RANGE: 0-40.0 GHz
 VSWR: DEPENDANT UPON APPLICATION, TYPICALLY 1.22 MAX (F IN GHz)
 WORKING VOLTAGE: 335 VRMS MAX AT SEA LEVEL
 DIELECTRIC WITHSTANDING VOLTAGE: 1000 VRMS MIN AT SEA LEVEL
 INSULATION RESISTANCE: 5000 MEGOHM MIN
 CONTACT RESISTANCE:
 CENTER CONTACT - INITIAL 6.0 MILLIOHM MAX, AFTER ENVIRONMENTAL 8.0 MILLIOHM MAX
 OUTER CONDUCTOR - INITIAL 2.0 MILLIOHM MAX AFTER ENVIRONMENTAL NOT APPLICABLE
 BRAID TO BODY - NOT APPLICABLE
 CORONA LEVEL: 250 VOLTS MIN AT 70,000 FEET
 INSERTION LOSS: DEPENDANT UPON APPLICATION, TYPICALLY < .06√F (F IN GHz)
 RF LEAKAGE: -90 dB MIN AT 2.5 GHz
 RF HIGH POTENTIAL WITHSTANDING VOLTAGE: 670 VRMS MIN AT 4 AND 7 MHz
- MECHANICAL:
- ENGAGE/DISENGAGE TORQUE: 2 INCH-POUNDS MAX
 MATING TORQUE: 7-10 INCH POUNDS
 COUPLING PROOF TORQUE: NOT APPLICABLE
 COUPLING NUT RETENTION: NOT APPLICABLE
 CONTACT RETENTION: 6 LBS MIN AXIAL FORCE
 CABLE ACCEPTABILITY: NOT APPLICABLE
 CABLE HEX CRIMP SIZE: NOT APPLICABLE
 CABLE RETENTION: NOT APPLICABLE
 DURABILITY: 500 CYCLES MIN
- ENVIRONMENTAL:
- (MEETS OR EXCEEDS THE APPLICABLE PARAGRAPH OF MIL-C-39012)
 THERMAL SHOCK: MIL-STD-202, METHOD 107, CONDITION B
 OPERATING TEMPERATURE: -65 DEG C TO 165 DEG C
 CORROSION: MIL-STD-202, METHOD 101, CONDITION B
 SHOCK: MIL-STD-202, METHOD 213, CONDITION I
 VIBRATION: MIL-STD-202, METHOD 204, CONDITION D
 MOISTURE RESISTANCE: MIL-STD-202, METHOD 106

THIS DRAWING TO BE INTERPRETED PER ANSII 14.5M - 1982

"μ STATION"

COMPANY CONFIDENTIAL

TOLERANCE UNLESS OTHERWISE SPECIFIED		DRAWN BY RS	DATE 1-31-03	 <small>Cinch Connectivity Solutions 299 Johnson Ave. Ste. 100 Waseca, MN 56093 1-800-247-8256</small>
DECIMALS .XX	mm —	CHECKED BY	DATE	
.XXX ±.003	—	APPROVED BY T. A. Kari	DATE 10-14-03	TITLE SMK (2.92mm) JACK ASSEMBLY, 2 HOLE FLANGE MOUNT, FIELD REPLACEABLE, .012 SEAL PIN
MATL	—	APPROVED BY	DATE	CODE NO.
FINISH	—	RELEASE DATE	10-14-03	DRAWING NO. C - 145-0701-601/610
		SCALE 10:1	U/M INCH	SHEET 2 OF 2