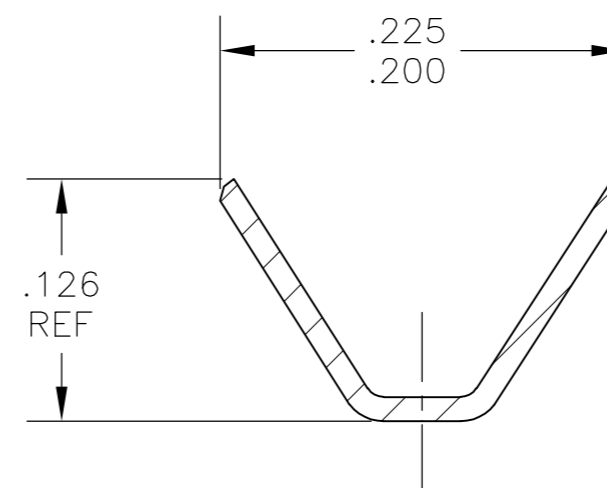
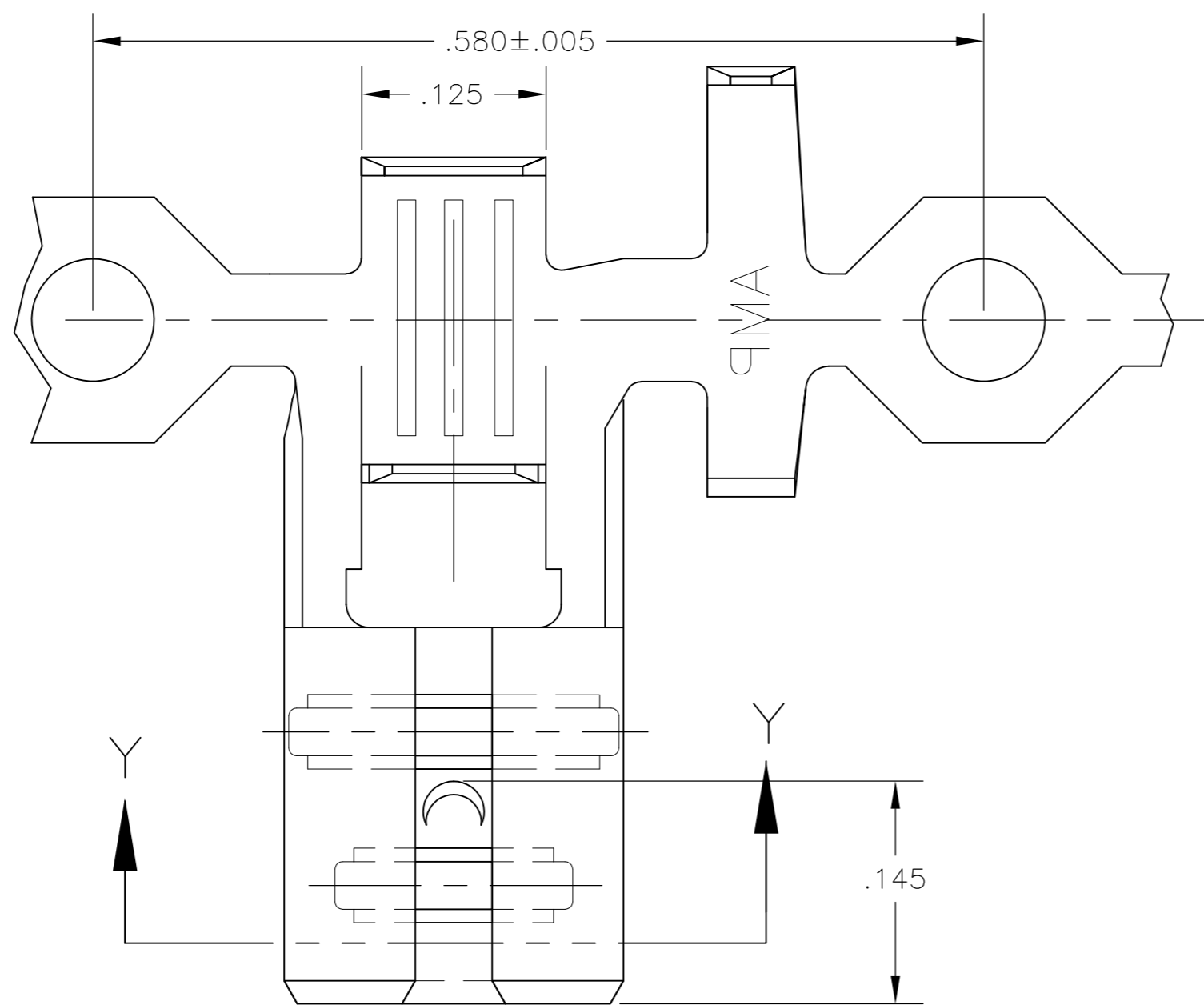


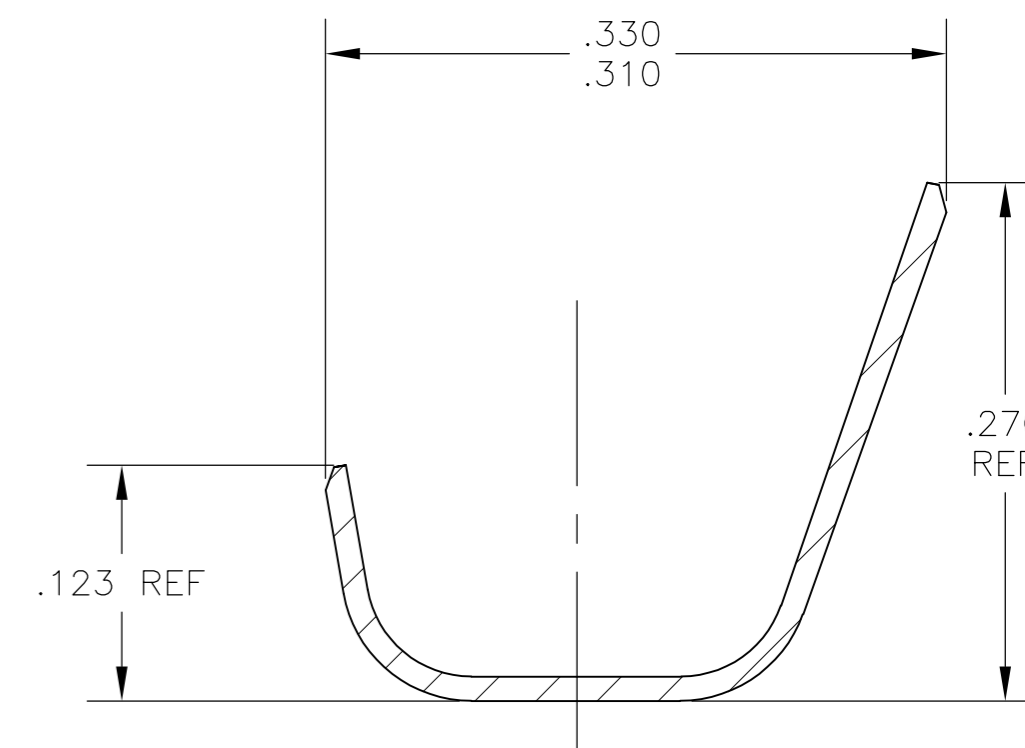
THIS DRAWING IS UNPUBLISHED. RELEASED FOR PUBLICATION
 © COPYRIGHT - By - ALL RIGHTS RESERVED.

REVISIONS					
P	LTR	DESCRIPTION	DATE	DWN	APVD
	H1	REVISED PER ECR-15-016360	10MAR2016	NK	LP

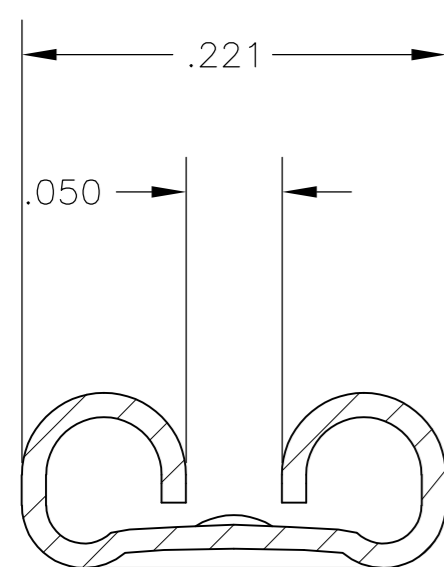
- CONTINUOUS STRIP ON REELS
- WIRE SIZE IS 18-14 OR TWO 18'S AWG
- INSULATION RANGE IS .110-.150 DIA. OR TWO AT .110 MAX DIA.
- MATING TAB THK IS .020±.001



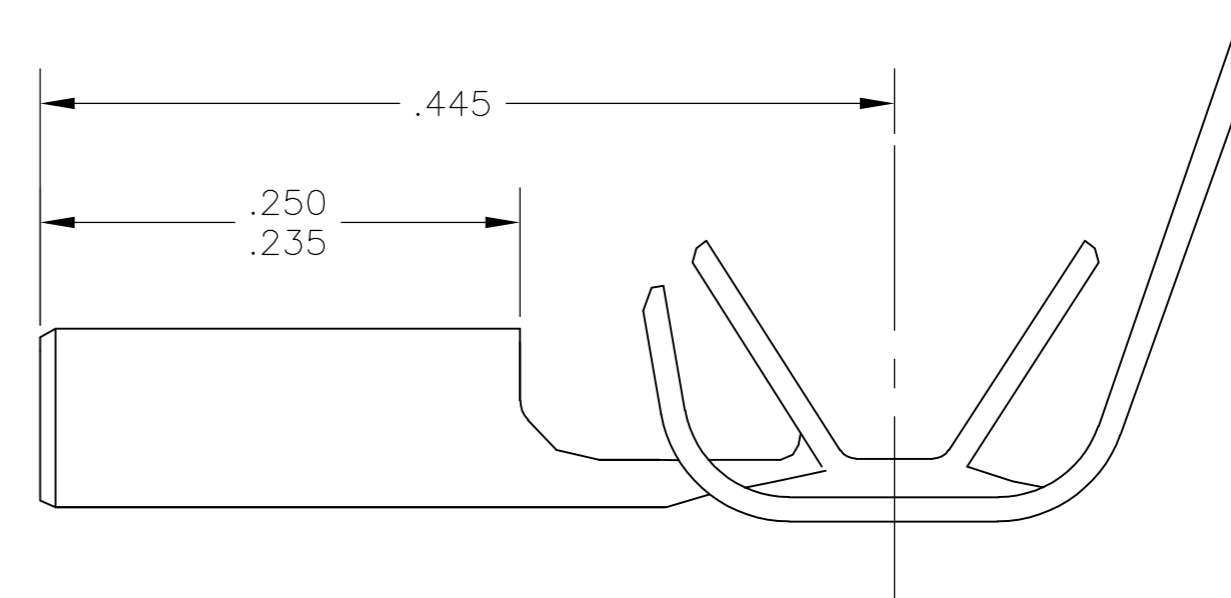
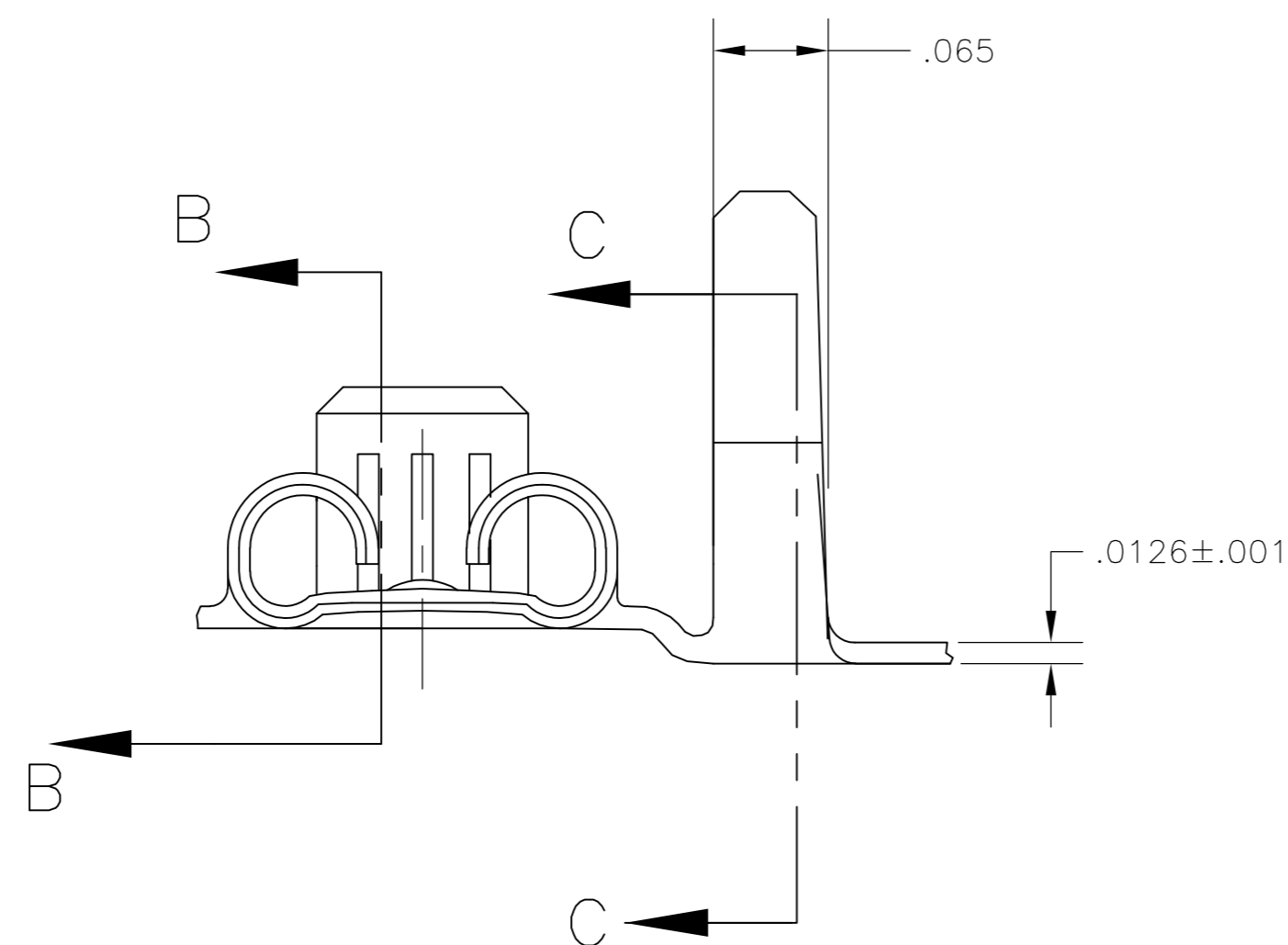
SECTION B-B



SECTION C-C



SECTION Y-Y



	TIN	1742088-2
OBSOLETE	PLAIN	-1742088-1-
	FINISH	PART NO

THIS DRAWING IS A CONTROLLED DOCUMENT.		DWN	JR RUTH	04mar04	 TE Connectivity
DIMENSIONS:		CHK	P DESANTIS	04MAR04	
INCHES		APVD	P DESANTIS	04MAR04	
		PRODUCT SPEC		NAME	
TOLERANCES UNLESS OTHERWISE SPECIFIED:		APPLICATION SPEC		RECEPTACLE, FASTON, FLAG, .187 SERIES	
0 PLC	± -	WEIGHT		SIZE	RESTRICTED TO
1 PLC	± -	MATERIAL		CAGE CODE	
2 PLC	± -	BRASS		DRAWING NO	
3 PLC	± .010	FINISH		SCALE	
4 PLC	± -	CUSTOMER DRAWING		10:1	
ANGLES	± 2°	SCALE		SHEET	
		SCALE		1 of 1	
		REV		H1	