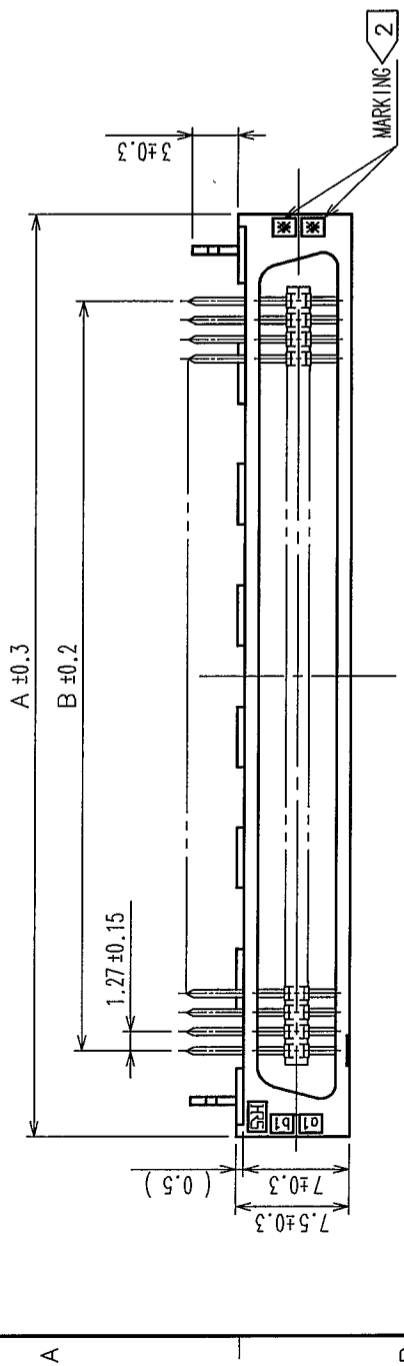
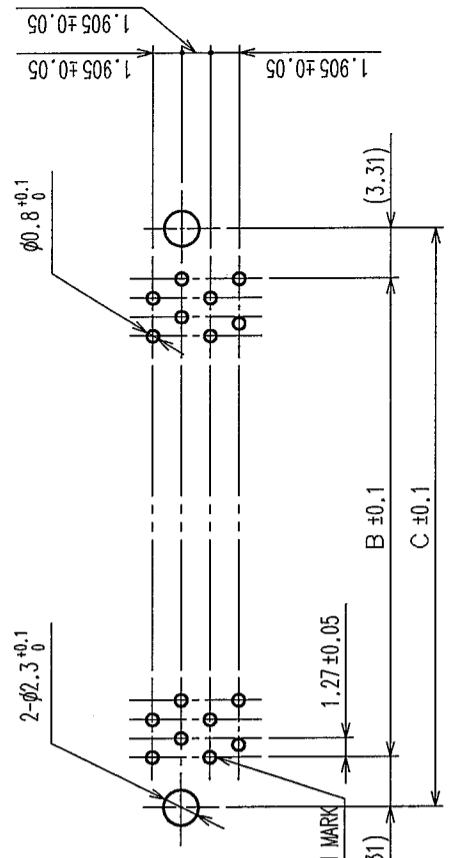


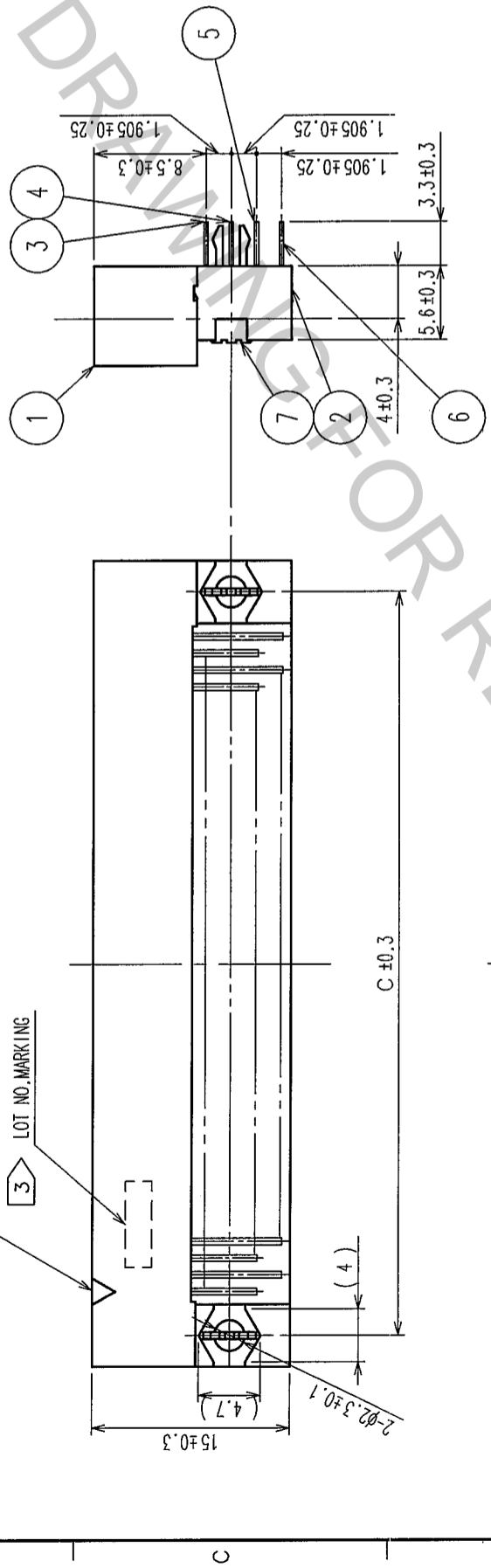
COUNT	DESCRIPTION OF REVISIONS	BY	CHKD	DATE	COUNT	DESCRIPTION OF REVISIONS	BY	CHKD	DATE
△					△				
△					△				
△					△				



MATING SIDE

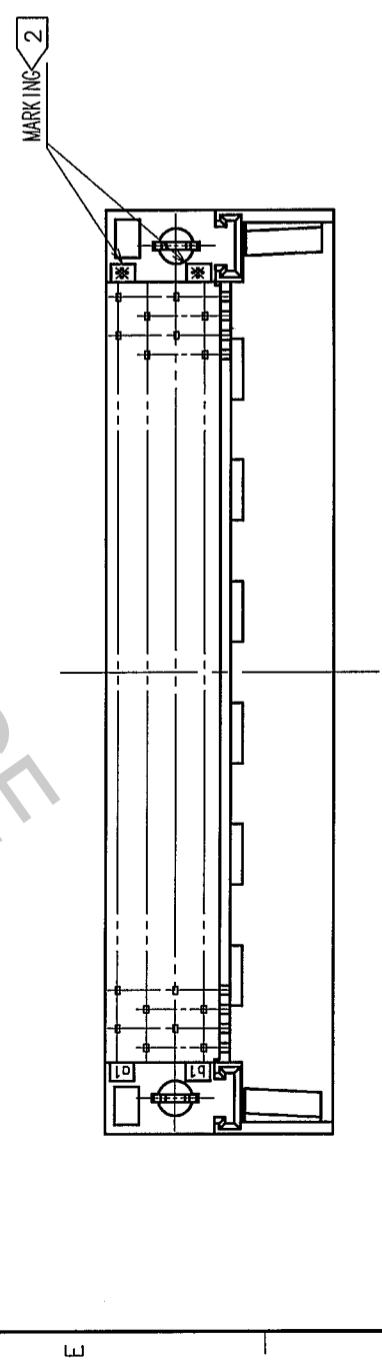
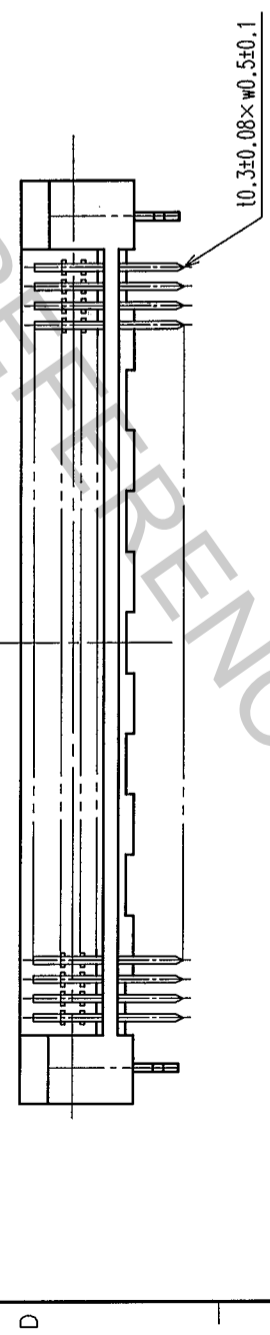


RECOMMEND PC BOARD HOLE PATTERN(MOUNTING SIDE)  
t=1.6



HRS No.	PART No.	A	B	C	①	②
FX2-20P-1.27DSL(71)	CL572-2651-4-71	22.75	11.43	18.05	20	10
FX2-32P-1.27DSL(71)	CL572-2652-7-71	30.37	19.05	25.67	32	16
FX2-40P-1.27DSL(71)	CL572-2653-0-71	35.45	24.13	30.75	40	20
FX2-52P-1.27DSL(71)	CL572-2654-2-71	43.07	31.75	38.37	52	26
FX2-60P-1.27DSL(71)	CL572-2655-5-71	48.15	36.83	43.45	60	30
FX2-68P-1.27DSL(71)	CL572-2656-8-71	53.23	41.91	48.53	68	34
FX2-80P-1.27DSL(71)	CL572-2657-0-71	60.85	49.53	56.15	80	40
FX2-100P-1.27DSL(71)	CL572-2658-3-71	73.55	62.23	68.85	100	50
FX2-120P-1.27DSL(71)	CL572-2659-6-71	86.25	74.93	81.55	120	60

NOTE ① NUMBER OF PIN.  
② INDICATIONS.  
③ SURFACE INDICATED LOT NO. SHALL BE OPTIONAL.  
④ THE DIMENSIONS IN PARENTHESES ARE FOR REFERENCE.



NO.	MATERIAL	FINISH, REMARKS	NO.	MATERIAL	FINISH, REMARKS
7	PHOSPHOR BRONZE	TIN PLATED	3~6	PHOSPHOR BRONZE	
1,2	POLYAMIDE	BLACK UL94V-0			

CODE NO. (OLD)	DRAWN	DESIGNED	CHECKED	APPROVED	RELEASED
	<i>N. Sugawara</i>	<i>N. Doi</i>	<i>N. Ogawa</i>	<i>N. Ogawa</i>	
	05-03-25	05-03-25	05-03-25	05-03-25	

DRAWING NO.	PART NO.	CONTACT AREA: GOLD	DIP AREA: TIN-PLATING	UNDER PLATING: NICKEL
EDC3-083294-21	FX2-**-P-1.27DSL(71)	0.2 μm min	2 μm min	2 μm min

SCALE	UNITS	CODE NO.
FREE	MM	CL572

TO	
PCK	