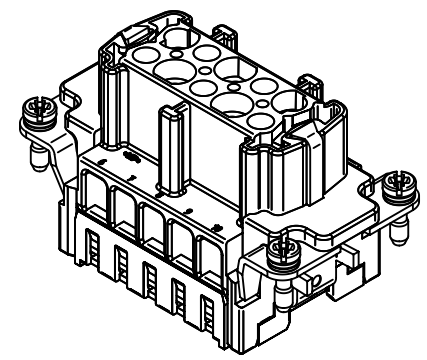
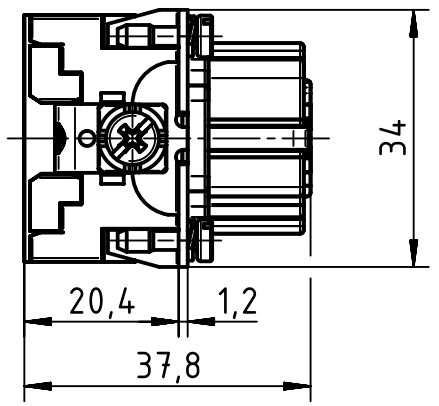
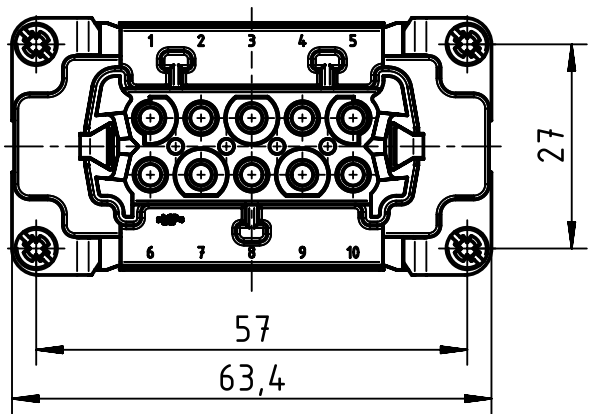


A

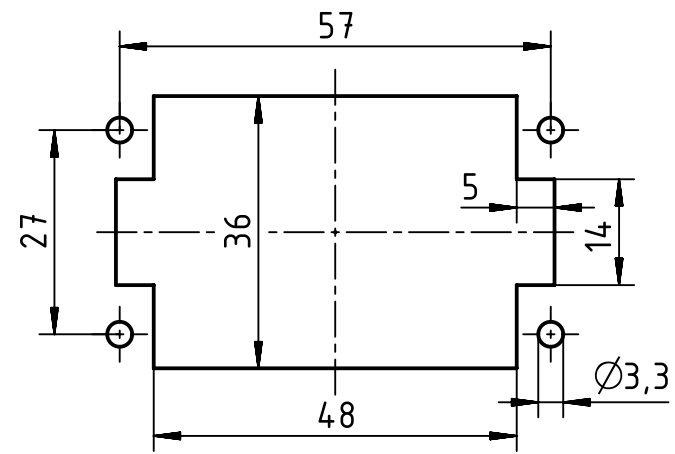
B

C

D



panel cut out



	All Dimensions in mm Original Size DIN A4		Scale 1:1	Free size tol.		Ref.	
	All rights reserved Department EL PD - DE		Created by HOLLERT	Inspected by PRIESTER	Standardisation TIEMANNA	Date 2016-08-31	State Final Release
HARTING Electric GmbH & Co. KG D-32339 Espelkamp			Title Han High Temp 10E Crimp Female			Doc-Key / ECM-Nr. 100627362/UGD/001/A 500000105233	
			Type TB	Number 09 33 810 2704		Rev. A	Page 1/1