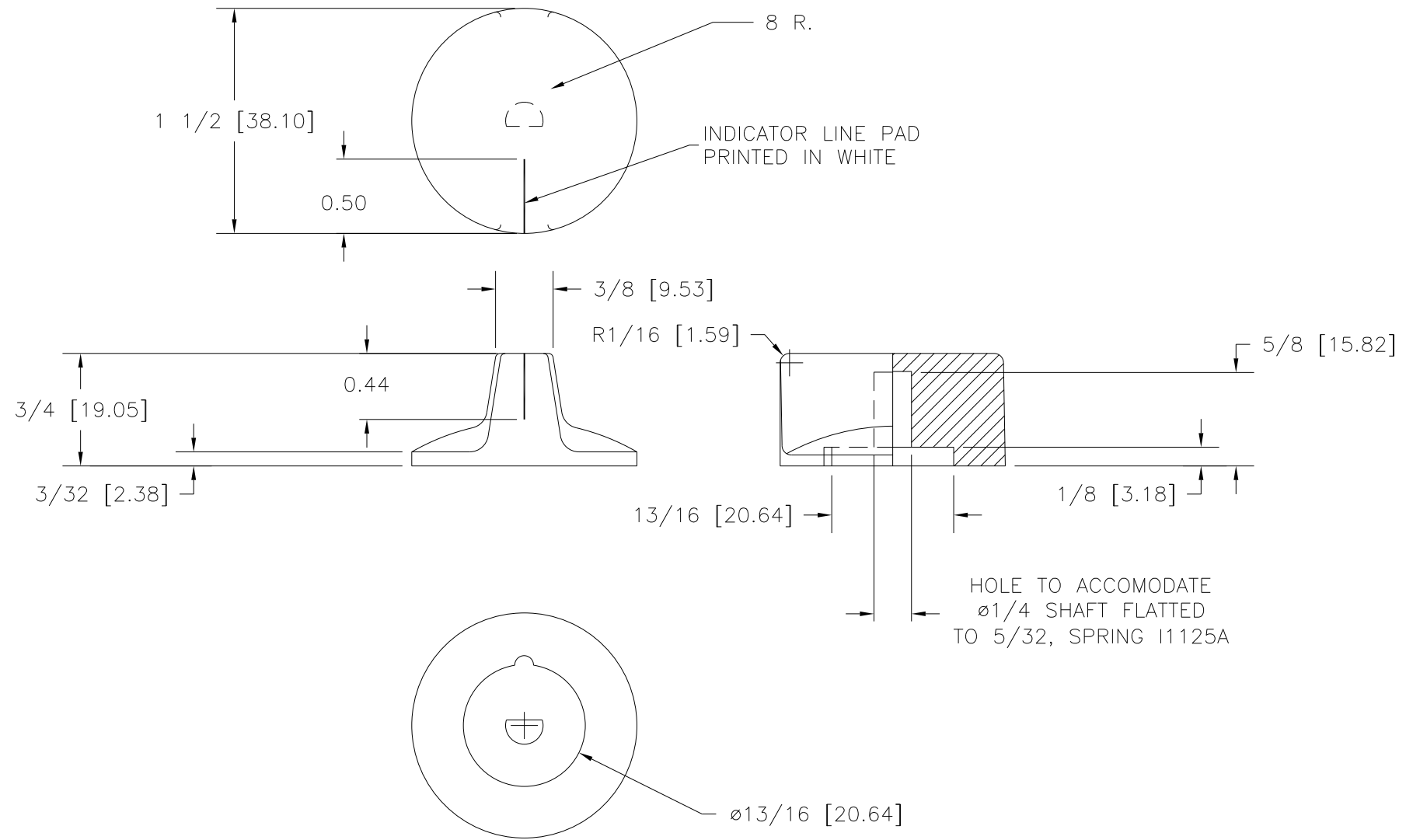


PART NAME: KNOB    SCALE: 1:1    DATE: 5/10/05    DR. BY JAM

THIS DRAWING IS THE PROPERTY OF DAVIES MOLDING COMPANY, IS SUBMITTED SOLELY AS A DESIGN OR ENGINEERING PROJECT. WE ACCEPT NO RESPONSIBILITY WHATSOEVER FOR THE PRACTICAL APPLICATION OF THE PIECES MADE TO THIS DESIGN.

DAVIES MOLDING COMPANY  
CAROL STREAM, ILLINOIS 60188

P/N 1520AT  
BASE PART 1520-03  
SPRING 11125A



MATERIAL: G.P. PHENOLIC (B11)  
COLOR: BLACK

|   |                                  |         |               |             |
|---|----------------------------------|---------|---------------|-------------|
| TOLERANCES:<br>UNLESS OTHERWISE SPECIFIED | DO NOT SCALE<br>DRAWING          |         |               |             |
| DECIMALS: X.XXX ± .005<br>X.XX ± .015     | MM: X.XX ± 0.15MM<br>X.X ± 0.4MM | -       | WAS SK1520-15 | JAM 5/10/05 |
| FRACTIONS ± 1/64                          | ANG. ± 1°                        | CHANGES |               |             |