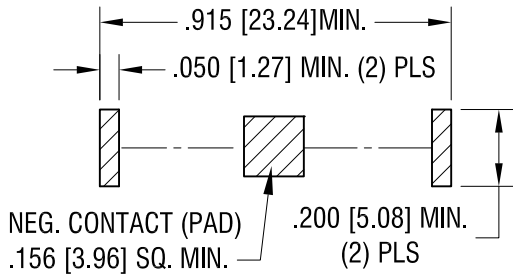
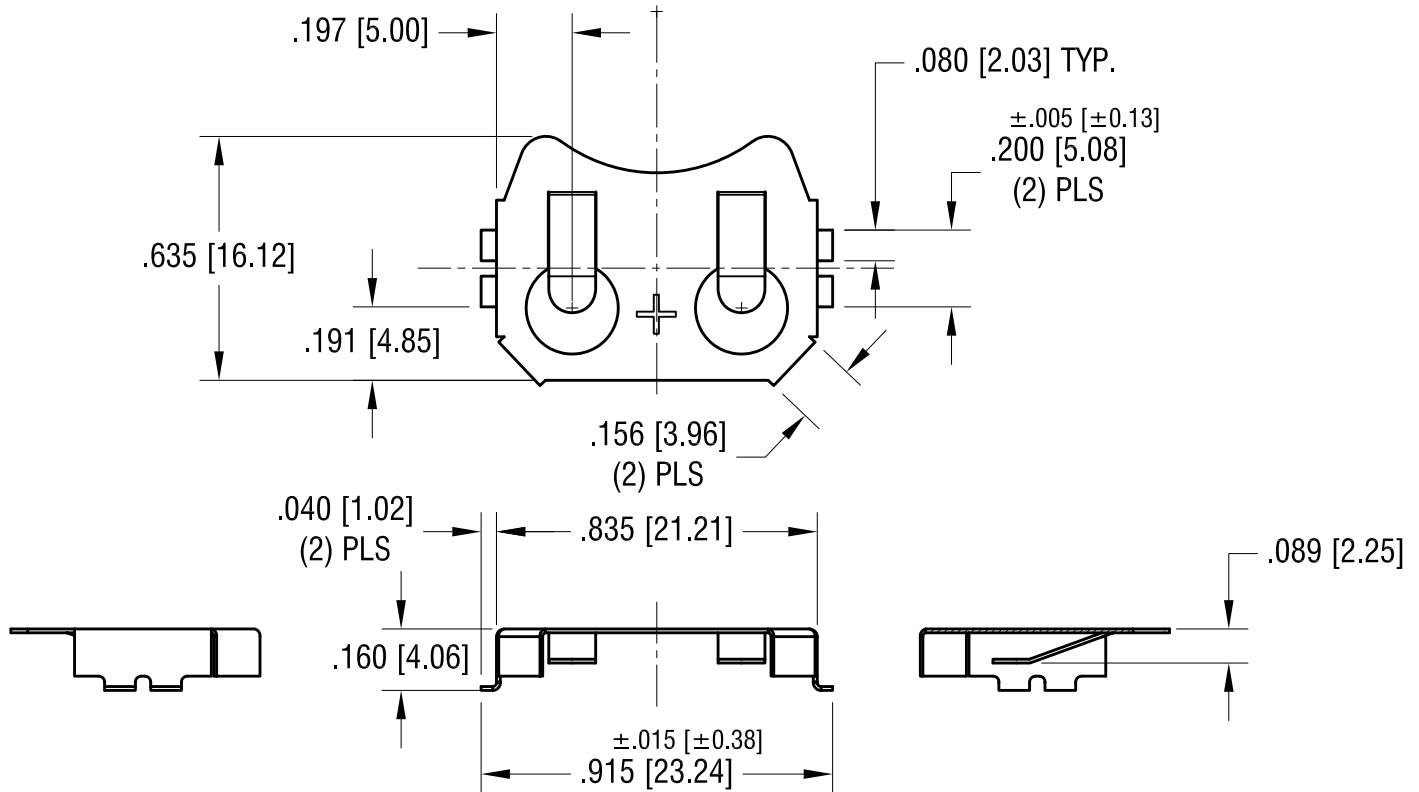


THIS DOCUMENT IS THE PROPERTY OF
KEYSTONE ELECTRONICS CORP. AND
SHALL NOT BE REPRODUCED, DISTRIBUTED
OR USED AS A BASIS FOR MANUFACTURE
WITHOUT PRIOR WRITTEN PERMISSION
FROM KEYSTONE ELECTRONICS CORP.

MOUNTING PAD LAYOUT



ACTUAL SIZE



KEYSTONE ELECTRONICS CORP.

www.keyelco.com • ASTORIA, N.Y. 11105-2017 • Tel (718) 956-8900

PART NAME

COIN CELL RETAINER

MATERIAL

.010 [0.25] PHOSPHOR BRONZE

FINISH

MATTE TIN PLATE

DRN BY

NT

DATE

2.28.11

APP'D

LN

SCALE

2X

8.14.14 CHANGE AS PER ECN 14-084

A

TOLERANCES INCH [MM]

DECIMAL ±.010 [±0.25]

ANGULAR ± 1°
UNLESS OTHERWISE SPECIFIED

CODE

C

DWG NO.

3044

DATE

DESCRIPTION

REV.