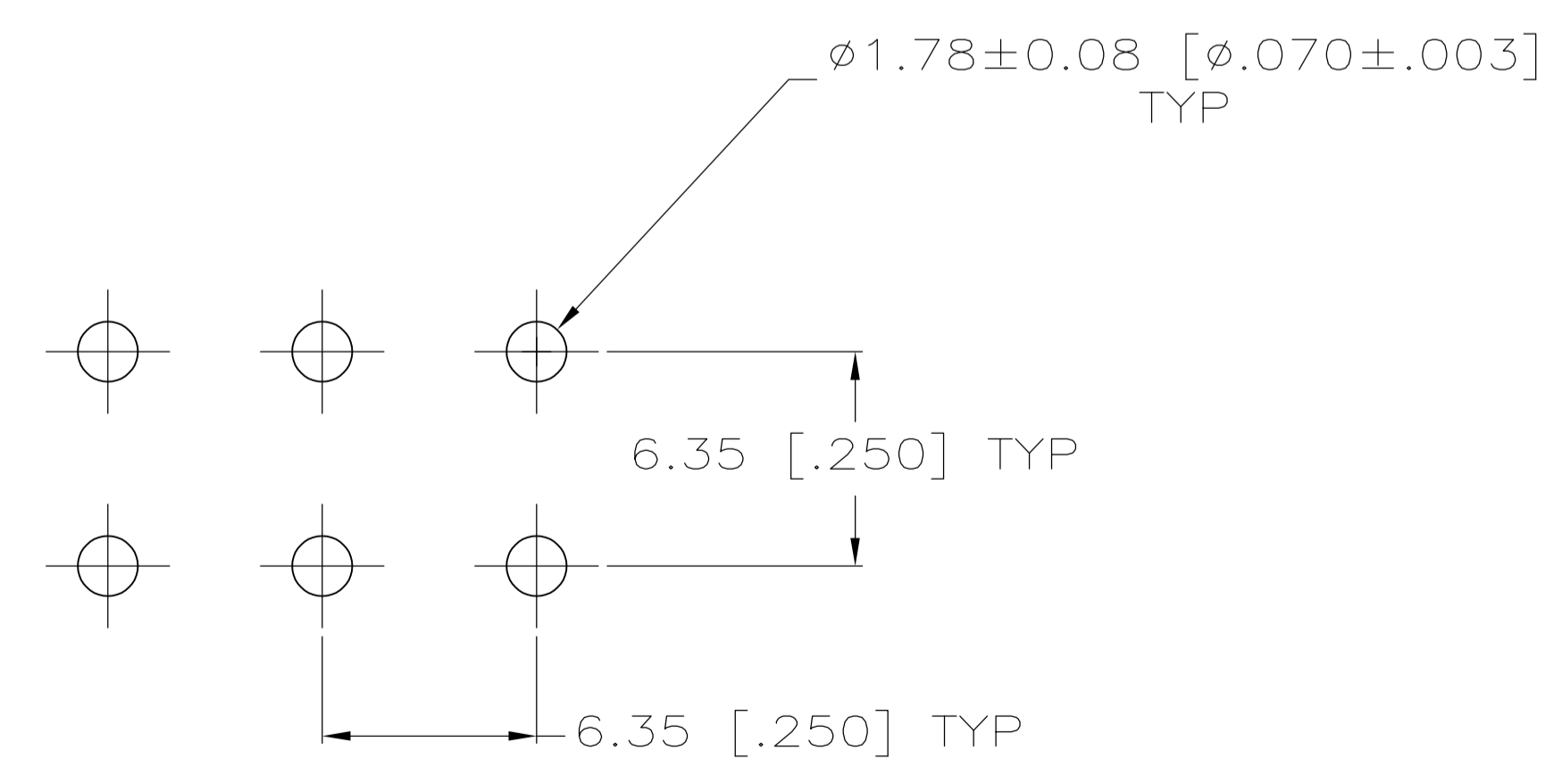
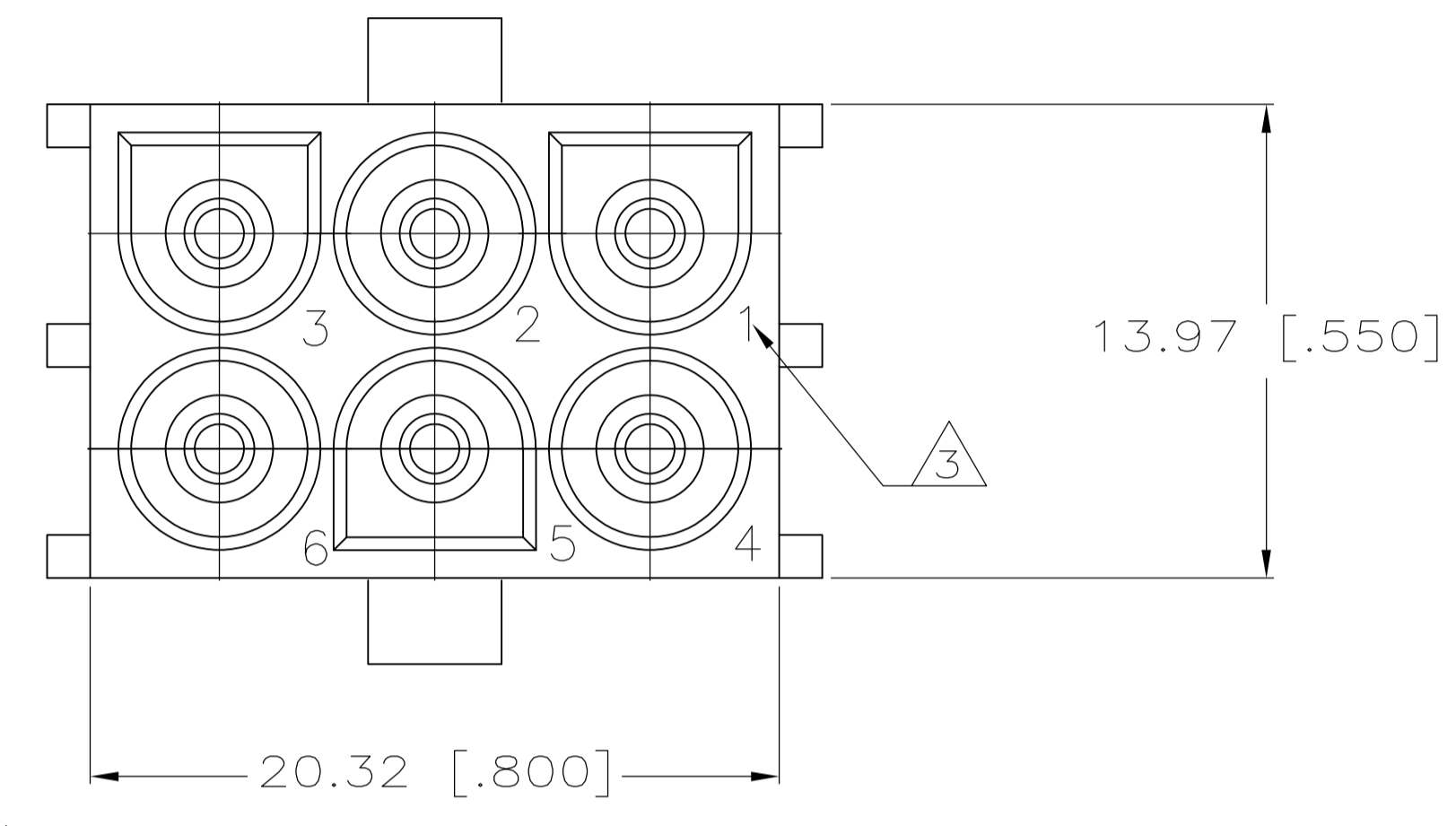
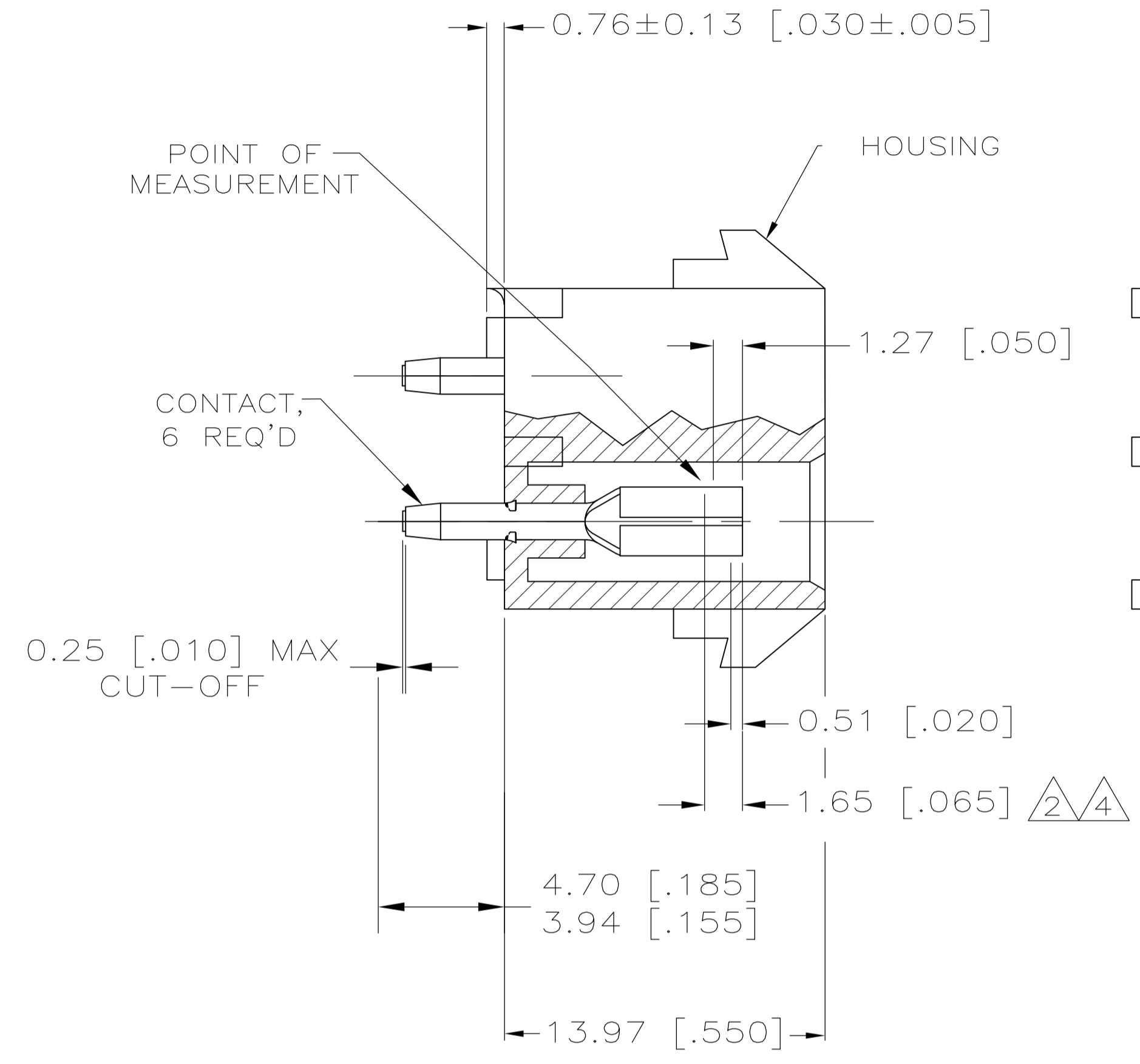
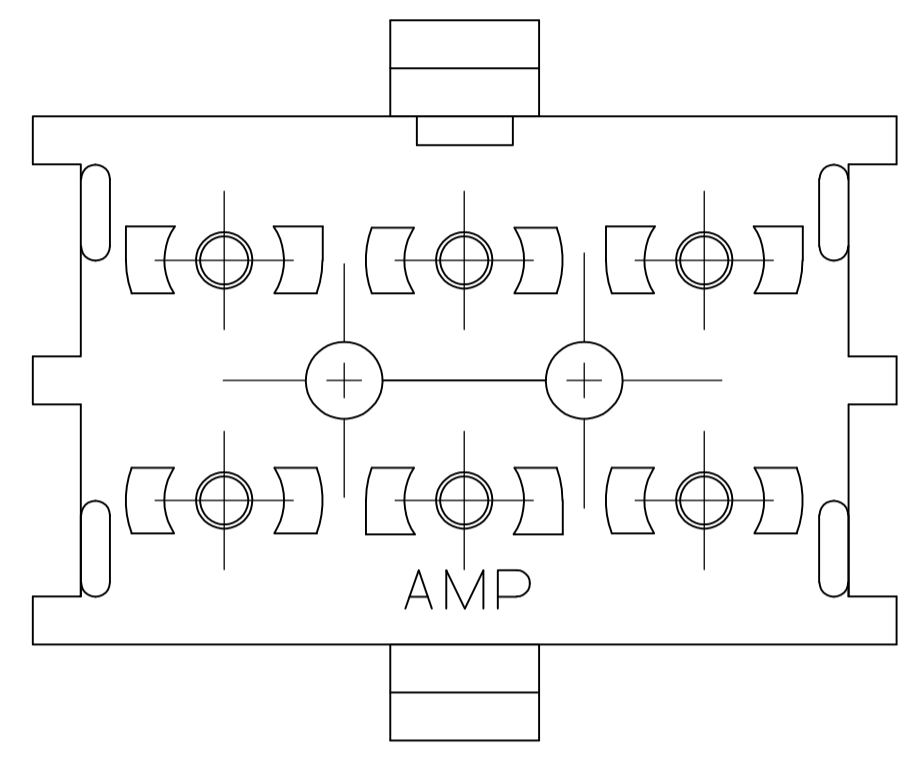


LOC		DIST		REVISIONS			
CM	00	REV	DATE	BY	CHK	APPV	DATE
M2		REVISED PER	ECR-12-011660				25JAN13



RECOMMENDED LAYOUT FOR 1.58 [.062] THICK PC BOARD

- 1 PARTS MUST COMPLY WITH AMP SOLDERABILITY SPEC 109-11-3.
- $\triangle 2$ CONTACT IS STAMPED FROM PRE-PLATED STOCK WHICH IS PLATED OVERALL WITH 0.00127 [.000050] NICKEL, THEN STRIPED WITH 0.00076 [.000030] GOLD IN CONTACT AREA INDICATED AND TIN-LEAD ON SOLDER TAIL END.
- $\triangle 3$ CIRCUIT IDENTIFICATION CHARACTERS ARE ADJACENT TO THE INDICATED CAVITIES, BUT LOCATION AND ORIENTATION MAY DIFFER FROM PRINT.
- $\triangle 4$ CONTACT IS PLATED OVERALL WITH 0.00127 [.000050] NICKEL, THEN 0.00076 [.000030] GOLD OVER CONTACT LENGTH INDICATED AND MATTE TIN ON SOLDER TAIL END.
- $\triangle 5$ SUPERSEDED BY 350827-4

$\triangle 5$	PH BRZ GOLD $\triangle 4$	NYLON,UL 94V-0	350827-4
	PH BRZ GOLD $\triangle 2$	NYLON,UL 94V-0	350827-2
	PH BRZ TIN	NYLON,UL 94V-0	350827-1
	CONTACT	HOUSING	PART NO

THIS DRAWING IS A CONTROLLED DOCUMENT.

DIMENSIONS: mm [INCHES]	TOLERANCES UNLESS OTHERWISE SPECIFIED:	DWG: K. WHITAKER 11OCT2005	CHK: S. RIDGILL 11OCT2005	APPROV: S. RIDGILL 11OCT2005	NAME: S. RIDGILL
0 PLC ±	1 PLC ±	2 PLC ±	3 PLC ± 0.13 [.005]	4 PLC ±	ANGLES ±
MATERIAL: SEE TABLE	FINISH: SEE TABLE	WEIGHT: A1	00779	C=350827	RESTRICTED TO: CUSTOMER DRAWING

STE TE Connectivity

6 CIRCUIT UNIVERSAL MATE-N-LOK (TM) P.C. BOARD SOCKET HEADER ASSEMBLY

SCALE: 5:1 SHEET: 1 OF 1 REV: M2