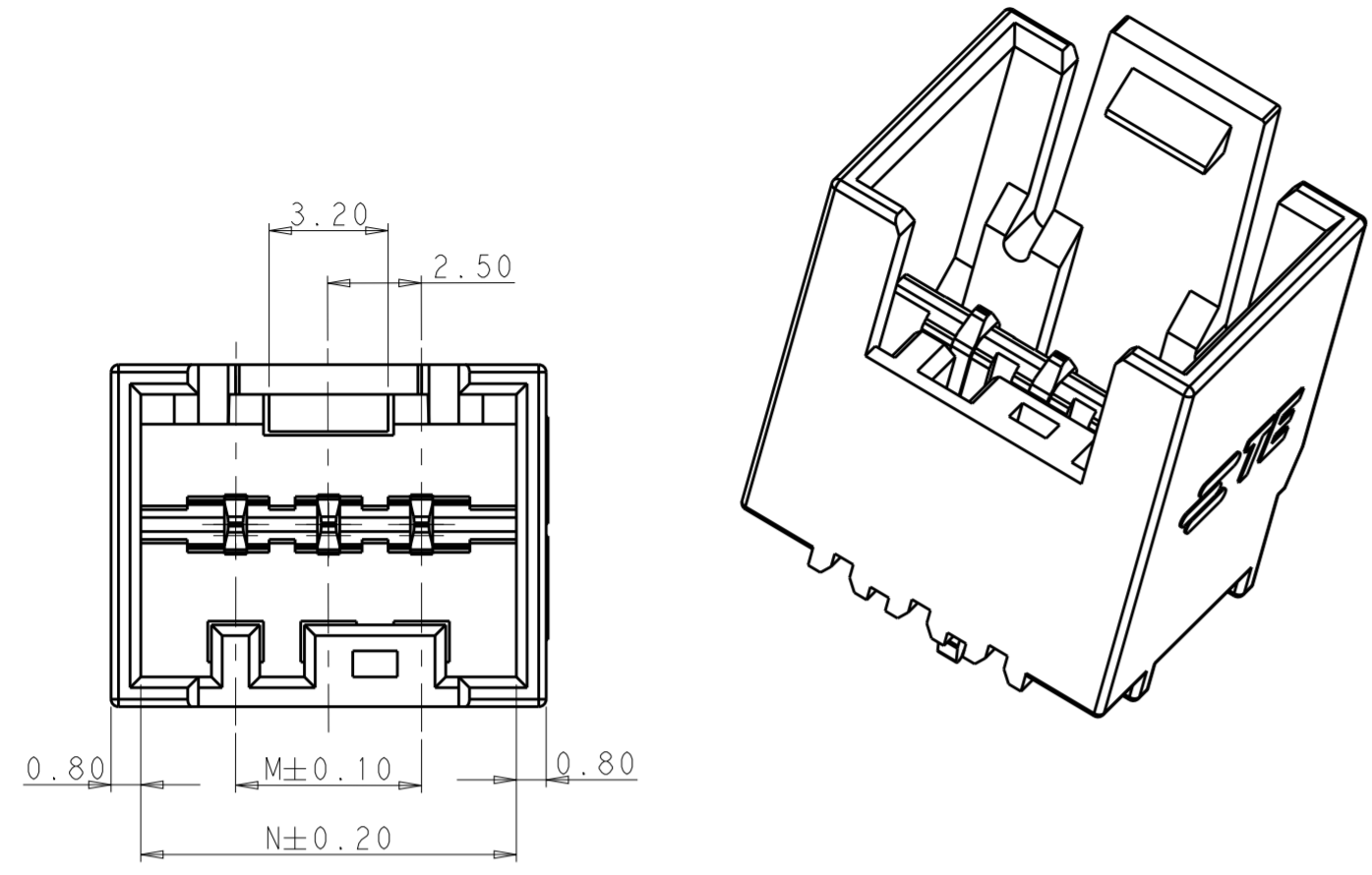
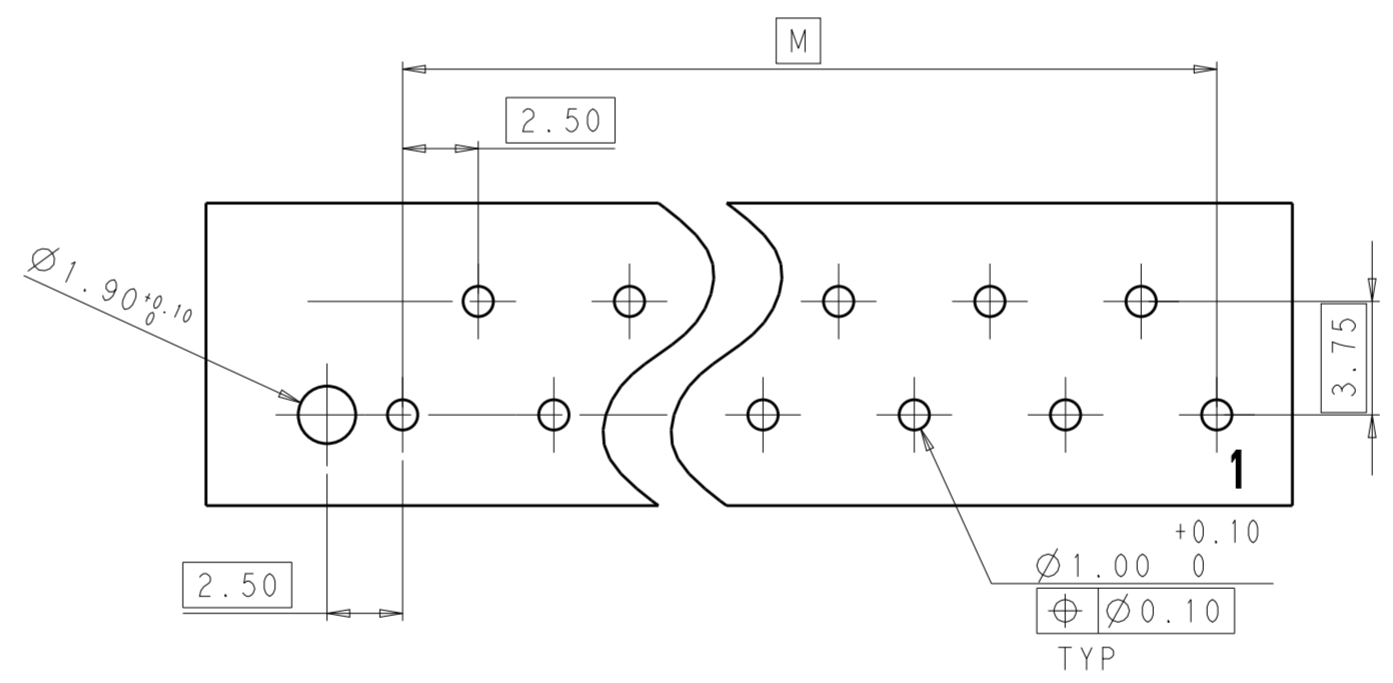
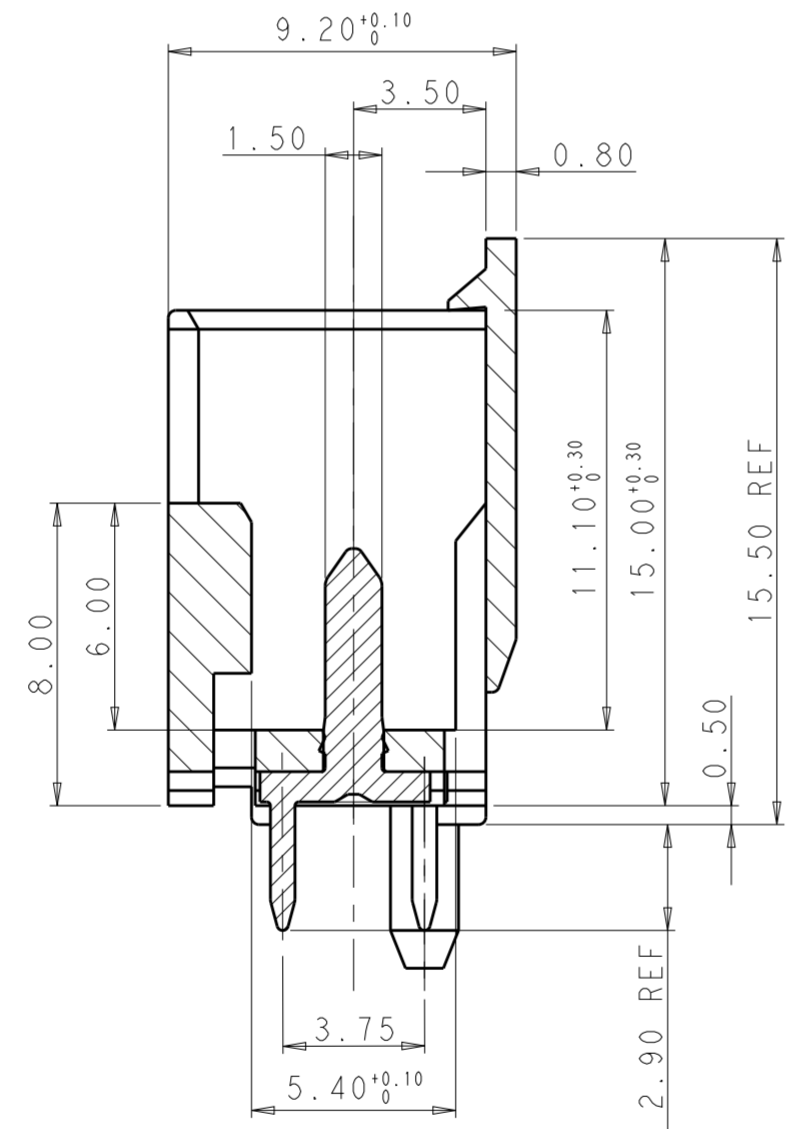
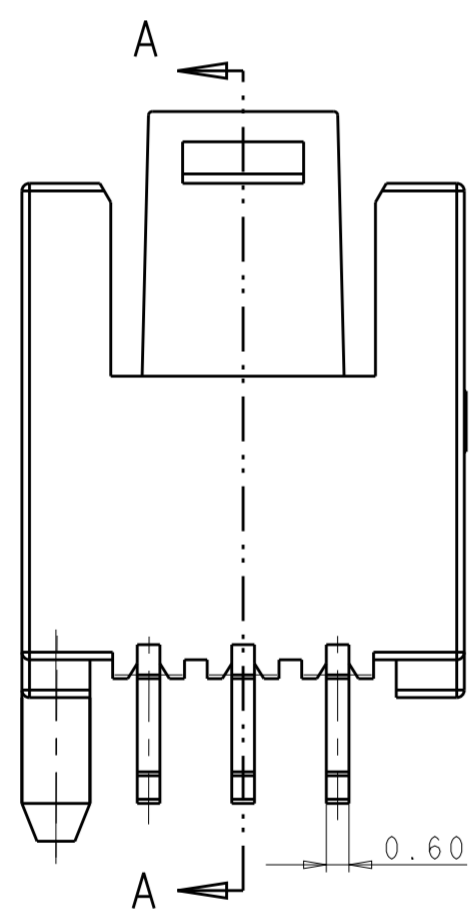


THIS DRAWING IS UNPUBLISHED. RELEASED FOR PUBLICATION 20
 © COPYRIGHT 20 BY - ALL RIGHTS RESERVED.

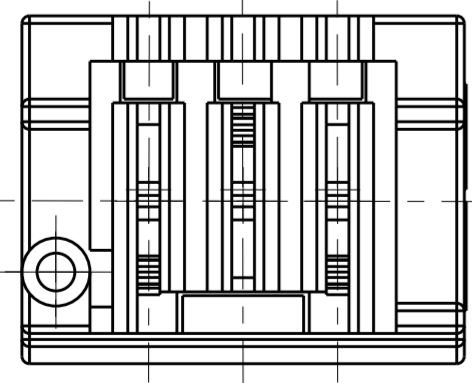
LOC		DIST		REVISIONS			
P	LTR	DESCRIPTION	DATE	DWN	APVD		
	A	FIRST RELEASE	18MAR2013	MZ	YHM		



- NOTE
- 1 MATERIAL: HOUSING, NYLON, UL94 V0, 750°C GWT NO FLAME COLOR NATURAL, CONTACT, COPPER ALLOY, 0.60MM THICK
 - 2 FINISH: TIN PLATING OVER NICKEL UNDERPLATING
 - 3 PCB LAYOUT AS SHOWN
 - 4 PACKAGING: LOOSE PIECE OR TUBE. THE PART NUMBERS IN THIS DRAWING ARE WITH LOOSE PIECE PACKAGING. PLEASE CONTACT TE SALES REPRESENTATIVES FOR TUBE PACKAGING REQUIREMENT.



PCB LAYOUT-SOLDER SIDE



SECTION A-A

40.10	35.00	15
37.60	32.50	14
35.10	30.00	13
32.60	27.50	12
30.10	25.00	11
27.60	22.50	10
25.10	20.00	9
22.60	17.50	8
20.10	15.00	7
17.60	12.50	6
15.10	10.00	5
12.60	7.50	4
10.10	5.00	3
N	M	NO. OF POS.

THIS DRAWING IS A CONTROLLED DOCUMENT.

DWN	MARK ZHU	18MAR2013	TE Connectivity
CHK	DANIEL ZHANG	18MAR2013	
APVD	YUJHONG MAO	18MAR2013	
NAME	RAST 2.5 TAB HEADER ASSY TH, VERTICAL, EXTERNAL LOCKING FULLY		
DIMENSIONS:	mm 		PRODUCT SPEC 108-106079
TOLERANCES UNLESS OTHERWISE SPECIFIED:	0 PLC ± 1 PLC ± 2 PLC ±0.2 3 PLC ± 4 PLC ± ANGLES ±1° FINISH		APPLICATION SPEC -
MATERIAL	-		WEIGHT -
CUSTOMER DRAWING			SIZE CAGE CODE DRAWING NO RESTRICTED TO A200779 C-2232329 -
SCALE 4:1			SHEET 1 OF 3 REV A

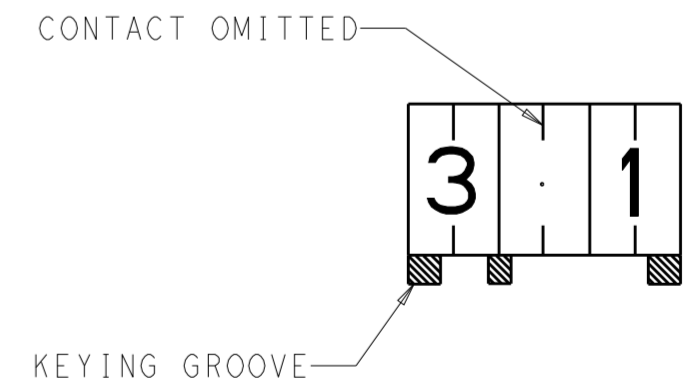
THIS DRAWING IS UNPUBLISHED. RELEASED FOR PUBLICATION 20
 © COPYRIGHT 20 BY - ALL RIGHTS RESERVED.

LOC		DIST		REVISIONS			
P	LTR	DESCRIPTION	DATE	DWN	APVD		
-	-	SEE SHEET 1	-	-	-		



2232329-5

15	TAB CONTACT W/ TIN PLATING	1	RAST 2.5 TAB HEADER HOUSING EXTERNAL LOCKING 15P	15	2232329-15	
14		1	RAST 2.5 TAB HEADER HOUSING EXTERNAL LOCKING 14P	14	2232329-14	
13		1	RAST 2.5 TAB HEADER HOUSING EXTERNAL LOCKING 13P	13	2232329-13	
12		1	RAST 2.5 TAB HEADER HOUSING EXTERNAL LOCKING 12P	12	2232329-12	
11		1	RAST 2.5 TAB HEADER HOUSING EXTERNAL LOCKING 11P	11	2232329-11	
10		1	RAST 2.5 TAB HEADER HOUSING EXTERNAL LOCKING 10P	10	2232329-10	
9		1	RAST 2.5 TAB HEADER HOUSING EXTERNAL LOCKING 9P	9	2232329-9	
8		1	RAST 2.5 TAB HEADER HOUSING EXTERNAL LOCKING 8P	8	2232329-8	
7		1	RAST 2.5 TAB HEADER HOUSING EXTERNAL LOCKING 7P	7	2232329-7	
6		1	RAST 2.5 TAB HEADER HOUSING EXTERNAL LOCKING 6P	6	2232329-6	
5		1	RAST 2.5 TAB HEADER HOUSING EXTERNAL LOCKING 5P	5	2232329-5	
4		1	RAST 2.5 TAB HEADER HOUSING EXTERNAL LOCKING 4P	4	2232329-4	
3		1	RAST 2.5 TAB HEADER HOUSING EXTERNAL LOCKING 3P	3	2232329-3	
QTY		QTY	POS.	PART NO.		



PICTORIAL VIEW KEY

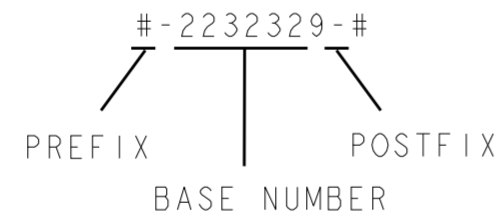
THIS DRAWING IS A CONTROLLED DOCUMENT.		DWN MARK ZHU 18MAR2013	TE Connectivity	
DIMENSIONS: mm		CHK DANIEL ZHANG 18MAR2013		
TOLERANCES UNLESS OTHERWISE SPECIFIED:		APVD YUJHONG MAO 18MAR2013	NAME RAST 2.5 TAB HEADER ASSY TH, VERTICAL, EXTERNAL LOCKING FULLY	
		PRODUCT SPEC	RESTRICTED TO	
MATERIAL		APPLICATION SPEC	SIZE A200779	DRAWING NO C-2232329
FINISH		WEIGHT	SCALE 4:1	SHEET 2 OF 3
-		CUSTOMER DRAWING	REV A	

THIS DRAWING IS UNPUBLISHED. RELEASED FOR PUBLICATION 20
 © COPYRIGHT 20 BY - ALL RIGHTS RESERVED.

LOC		DIST		REVISIONS			
P	LTR	DESCRIPTION	DATE	DWN	APVD		
-	-	SEE SHEET 1	-	-	-		

FOR ANY KEYING CONFIGURATION, THERE ARE EIGHT COLORS AVAILABLE, BESIDES THE NATURAL COLOR, THERE ARE OTHER SEVEN COLORS, INCLUDE: YELLOW, BLUE, GREY, PURPLE, RED, GREEN, BLACK. THE WHITE VERSION IS PRELIMINARY. THE P/N OF THE COLOR CONNECTOR ARE BASED ON THE NATURAL CONNECTOR, THE PREFIX AND POSTFIX ARE THE SAME FOR THE SAME KEYING CONFIGURATION, BUT THE BASE NUMBERS ARE DIFFERENT ACCORDING TO DIFFERENT COLOR. THE FOLLOWING SHOWS WHAT'S THE P/N FOR COLOR CONNECTOR

COLOR	PART NUMBER OF THE CONNECTOR				COMMENTS
	WITH TIN PLATING CONTACT		WITH AG PLATING CONTACT		
NATURAL	#-2232329-#	#-2232367-#	#-2232384-#	#-2232385-#	THE DETAIL P/N FOR DIFFERENT KEYING SEE SHEET 1 & 2
RED	#-2232368-#	#-2232369-#	#-2232386-#	#-2232387-#	THE PREFIX AND POSTFIX ARE THE SAME WITH THE P/N OF THE NATURAL CONNECTOR FOR THE SAME KEYING CONFIGURATION, JUST THE BASE NUMBERS ARE DIFFERENT BASED ON DIFFERENT COLOR. # CAN BE THE NUMBER FROM 0 TO 9.
BLUE	#-2232370-#	#-2232371-#	#-2232388-#	#-2232389-#	
YELLOW	#-2232372-#	#-2232373-#	#-2232390-#	#-2232391-#	
BALCK	#-2232374-#	#-2232375-#	#-2232392-#	#-2232393-#	
GREY	#-2232376-#	#-2232377-#	#-2232394-#	#-2232395-#	
GREEN	#-2232378-#	#-2232379-#	#-2232396-#	#-2232397-#	
PURPLE	#-2232380-#	#-2232381-#	#-2232398-#	#-2232399-#	
WHITE	#-2232382-#	#-2232383-#	#-2232400-#	#-2232401-#	



THIS DRAWING IS A CONTROLLED DOCUMENT.		DWN	18MAR2013	TE Connectivity
DIMENSIONS: mm		CHK	18MAR2013	
TOLERANCES UNLESS OTHERWISE SPECIFIED:		APVD	18MAR2013	
0 PLC ±	1 PLC ±	PRODUCT SPEC		NAME
2 PLC ±	3 PLC ±	APPLICATION SPEC		RAST 2.5 TAB HEADER ASSY TH, VERTICAL, EXTERNAL LOCKING FULLY
4 PLC ±	ANGLES ±	WEIGHT		SIZE
FINISH		CUSTOMER DRAWING		A200779
		SCALE 4:1		DRAWING NO
		SHEET 3 OF 3		C-2232329
		REV A		RESTRICTED TO