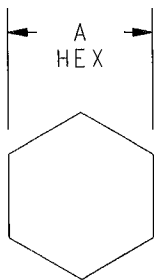


DASH NO	CABLE ACCOMMODATED	A HEX
-009	8218, BELDEN 21-597, ESSEX YR23023, BELDEN	.178
-014	8212, BELDEN	.255
-025	734 TYPE	
-026	735 TYPE	.178
-027	KSI9224L2 LUCENT	
-013A	TCC-75-2 8241F, BELDEN	.255

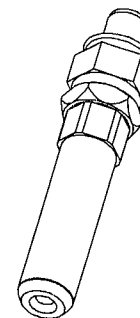


RECOMMENDED
HEX CRIMP

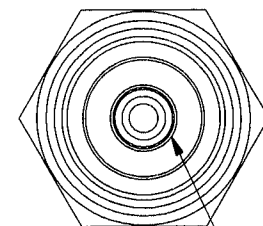
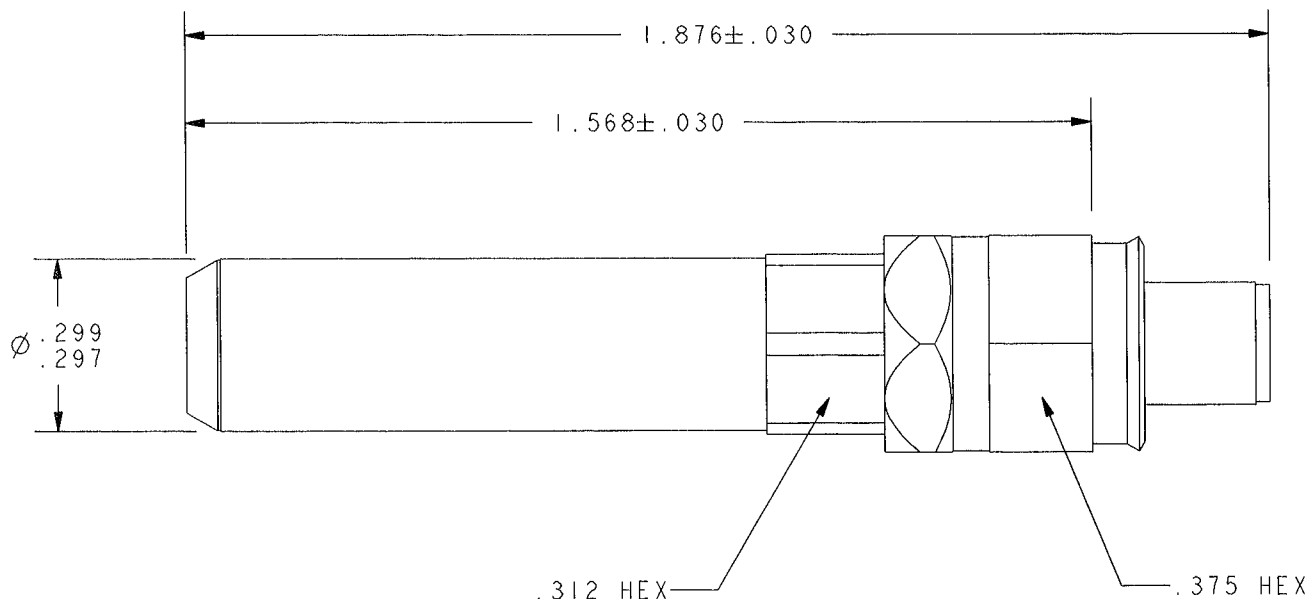
DATA CONTAINED IN THIS DOCUMENT IS PROPRIETARY TO TROMPETER ELECTRONICS INC. AND SHALL NOT BE DISCLOSED, COPIED OR USED FOR PROCUREMENT OR MANUFACTURE WITHOUT EXPRESS WRITTEN PERMISSION.

REVISIONS			
REV	DESCRIPTIONS	DATE	APPROVED
F	REVISED PER ECO 16533	1/29/08	<i>R. Jones</i>

RED INDICATES ORIGINAL



SCALE 1/1



CABLE ENTRY

5. EXAMPLE OF COMPLETE MODEL NUMBER:

PLIMW - 009

BASIC MODEL NUMBER DASH NUMBER

4. ASSEMBLE IAW TAI-200 EXCEPT INSTALL NUT ASSEMBLY OVER CABLE PRIOR TO TERMINATING CONNECTOR

3. MATES WITH NO. 558A, 560A, AND 562A JACKS

2. 75 Ω COAXIAL (AT&T 4400 TYPE) MINIATURE TOOL CRIMP PATCH PLUG, IN STANDARD CRIMP DESIGN WITH ENTRY BUSHING

1. FINISH: TFS-1B (2G-GOLD)

NOTES: UNLESS OTHERWISE SPECIFIED.

INTERPRET DRAWING PER MIL-STD-100. DIMENSIONS ARE IN INCHES AND INCLUDE FINISH UNLESS OTHERWISE SPECIFIED.

TOL: UNLESS SPECIFIED.
.XX ± .02
.XXX ± .010
ANGLE ± 1°

TROMPETER
ELECTRONICS, INC.

DRN: W JOHNSON 1-3-08
CHK: *WJ* 1-25-08
QUALITY
MANUF:
APPROVED: *Am* 1/29/08

MATERIAL:
FINISH:

TITLE: PLIMW
SIZE: A CAGE CODE: 14949 DRAWING NO.: 1-0605 REV.: F

PROVE FILE NO. 1-0605 DO NOT SCALE DWG SCALE 3/1 DATE 8-17-01 SHEET 1C