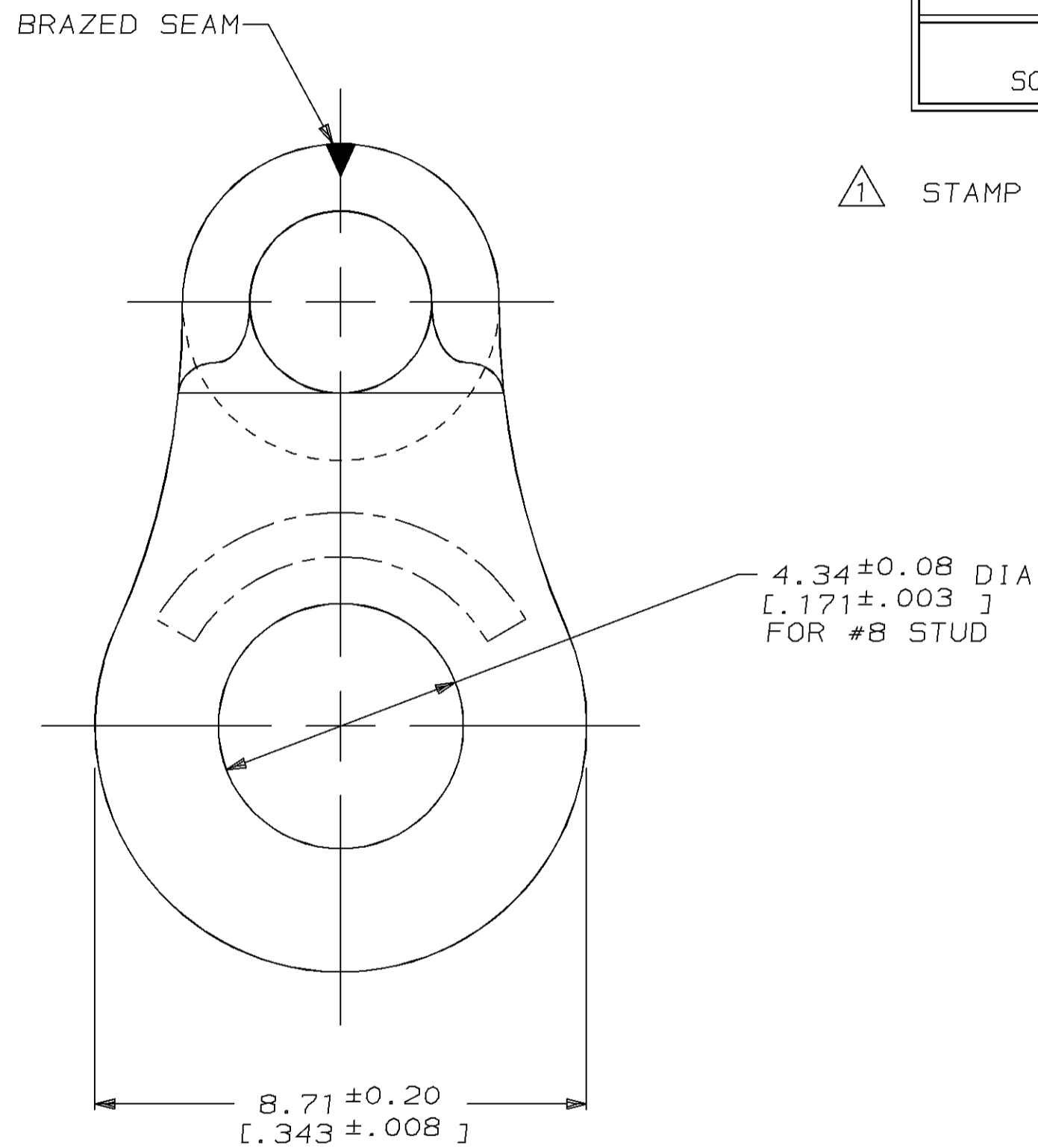
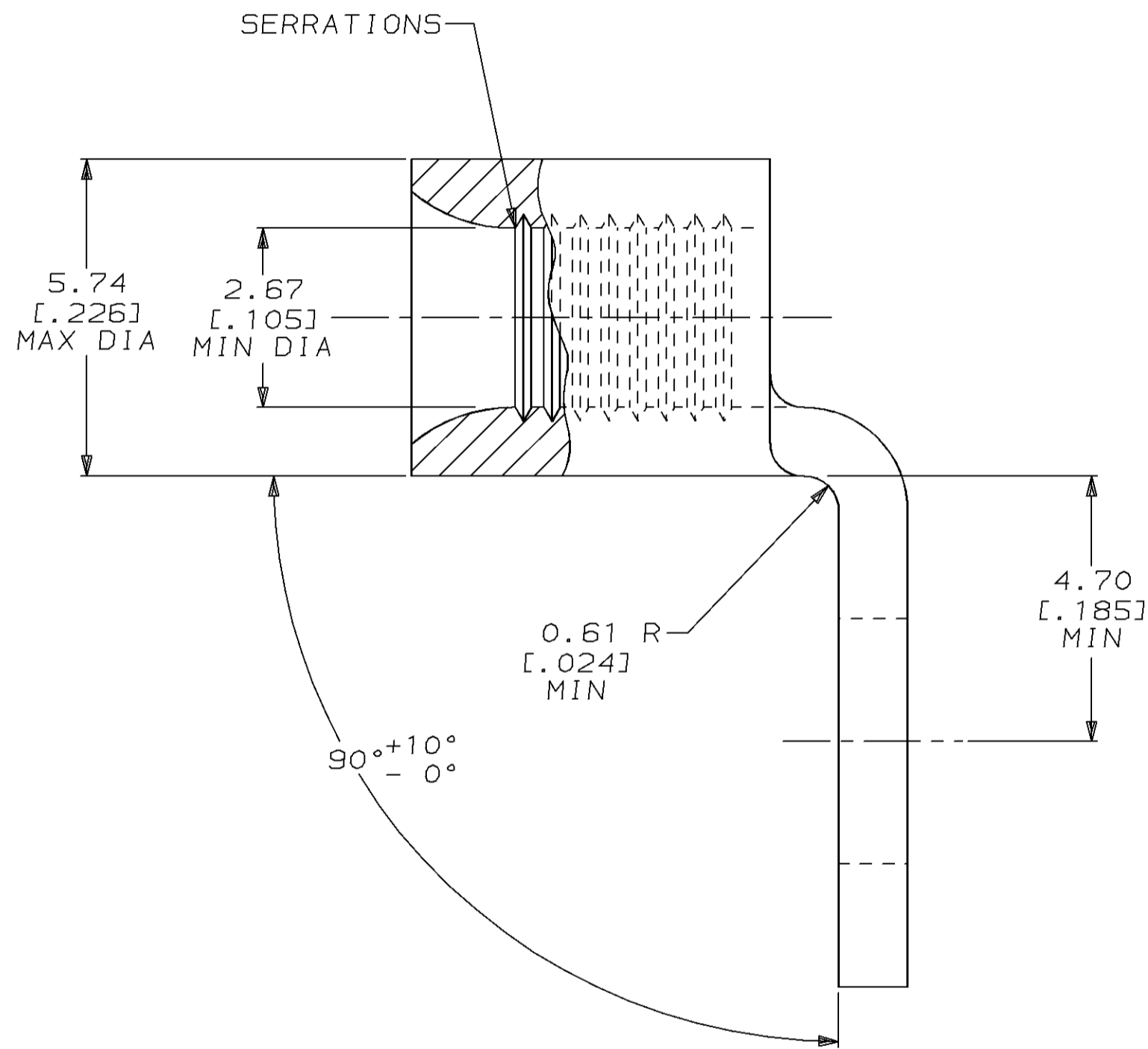


THIS DRAWING IS UNPUBLISHED. RELEASED FOR PUBLICATION
 BY AMP INCORPORATED. ALL RIGHTS RESERVED.

LOC	DIST	REVISIONS					
		P	LTR	DESCRIPTION	DATE	DWN	APVD
G	14			RELEASED PER PR 96-42	30MAY96	DKS	MJS

AMP WIRE RANGE	UL E13288 Listed
16-14HD AWG SOLID OR STRANDED	PENDING
SR LR7189 Certified	MILITARY P/N AND CLASS
16-14HD AWG SOLID OR STRANDED	NOT APPLICABLE



⚠ STAMP AMP 16-14HD* APPROX AS SHOWN

184269-1
AMP
PART NUMBER

AMP INCORPORATED CUSTOMER SERVICE SYSTEMS		RECOMMENDED OPERATING TEMPERATURE: 170°C MAX
FOR ADDITIONAL PRODUCT INFORMATION OR COPIES OF DRAWINGS AND TECHNICAL DOCUMENTS	PRODUCT INFORMATION CENTER 1-800-522-6752	VOLTAGE RATING: NOT APPLICABLE
FOR APPLICATION TOOLING INFORMATION	TOOLING ASSISTANCE CENTER 1-800-722-1111	WIRE CROSS SECTIONAL AREA RANGE: 1.04-2.62mm ² [2,050-5,180] CIR MILS SOLID OR STRANDED
FOR ORDER ENTRY	1-800-526-5142	

<small>THIS DRAWING IS A CONTROLLED DOCUMENT FOR AMP INCORPORATED. IT IS SUBJECT TO CHANGE AND THE CONTROLLING ENGINEERING ORGANIZATION SHOULD BE CONTACTED FOR THE LATEST REVISION.</small>		DWN DK SCHRUM 30MAY96	AMP AMP Incorporated Harrisburg, PA 17105-3608
<small>TOLERANCES UNLESS OTHERWISE SPECIFIED:</small> 0 PLC ±- 1 PLC ±- 2 PLC ±- 3 PLC ±- 4 PLC ±- ANGLES ±-		CHK MJ SPICER 31MAY96	
<small>DIMENSIONS: mm [INCHES]</small>		APVD JL MECKLEY 31MAY96	NAME TERMINAL, RING TONGUE, SOLISTRAND™, WIRE SIZE: 16-14HD AWG
<small>MATERIAL COPPER PER ASTM B-152 ANNEALED</small>		FINISH TIN PLATE 0.00254 [.0001003] MIN THK PER MIL-T-10727	PRODUCT SPEC - APPLICATION SPEC - WEIGHT -
		SCALE 10:1	DRAWING NO A2 00779 C=184269
		CUSTOMER DRAWING	SHEET 1 OF 1 REV 0

184269