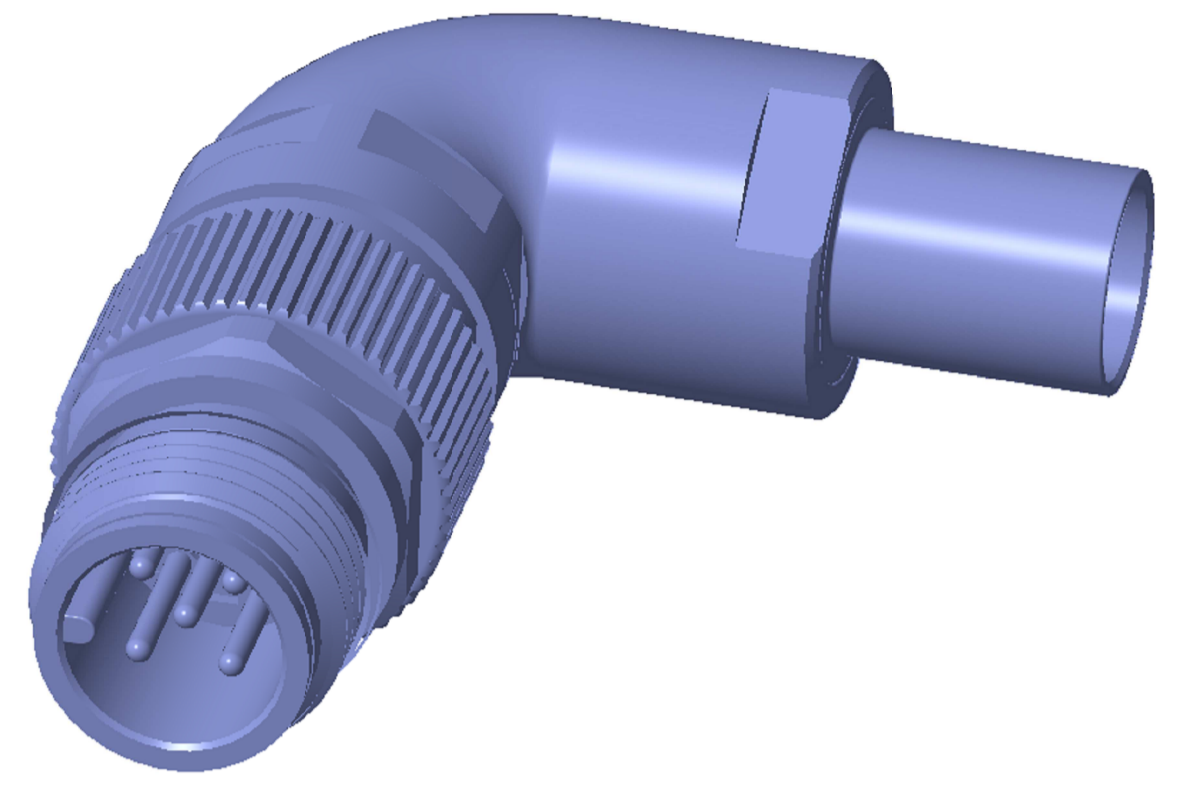
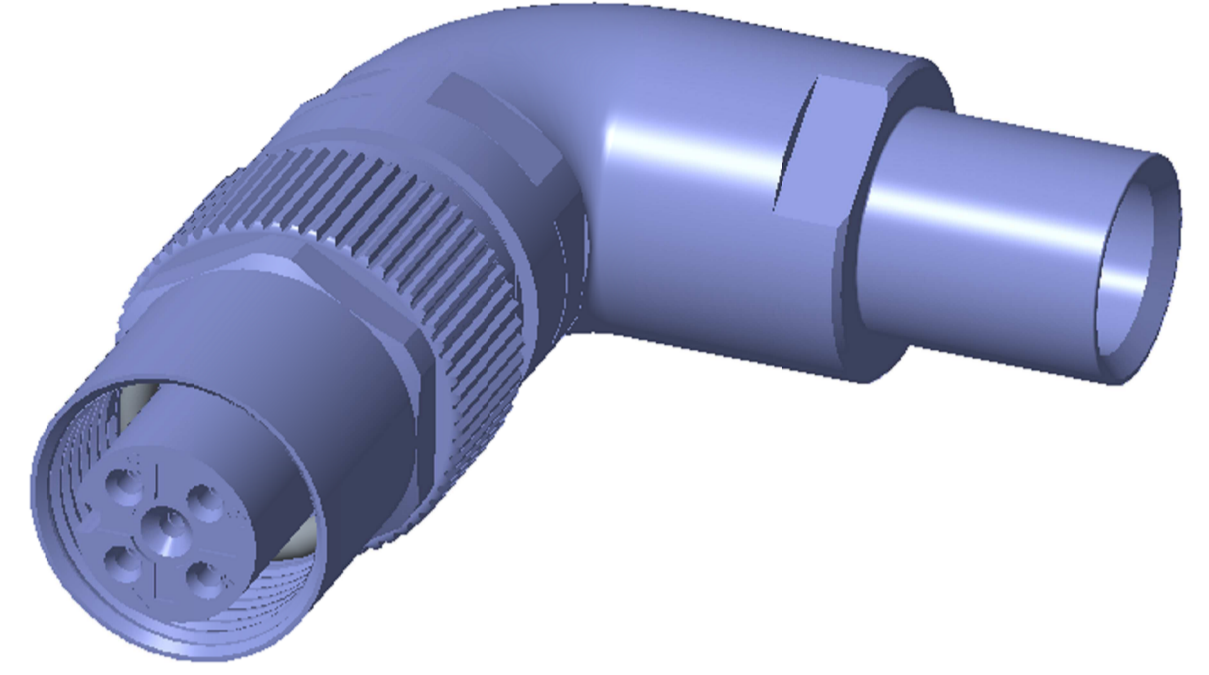


THIS DRAWING IS UNPUBLISHED.		RELEASED FOR PUBLICATION	
COPYRIGHT - By -		ALL RIGHTS RESERVED.	
PROJECT	PRJ-14-00004825		
PART NO	X-2823588-X		
HV DESC	M12 RAIL 90 DEGREE, D-CODED FIELD INSTALLABLE CONNECTORS		
CUSTOMER	GENERAL MARKET		

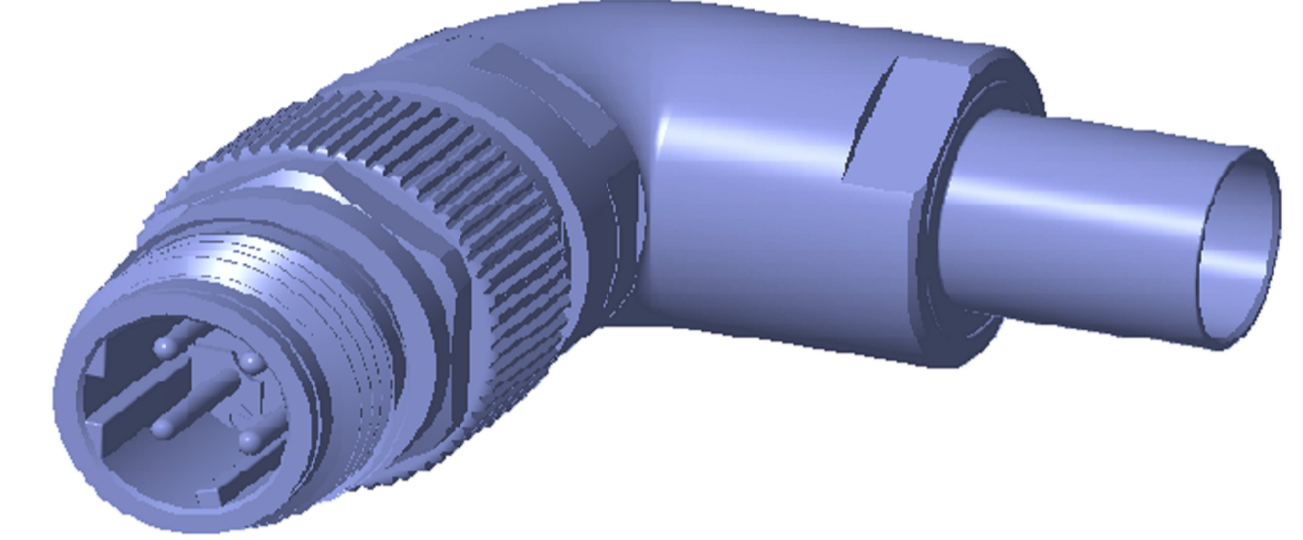
REVISIONS				
P	LTR	DESCRIPTION	DATE	APP'D
A		INITIAL RELEASE	17OCT2016	KK GG



1-2823588-1



1-2823588-2

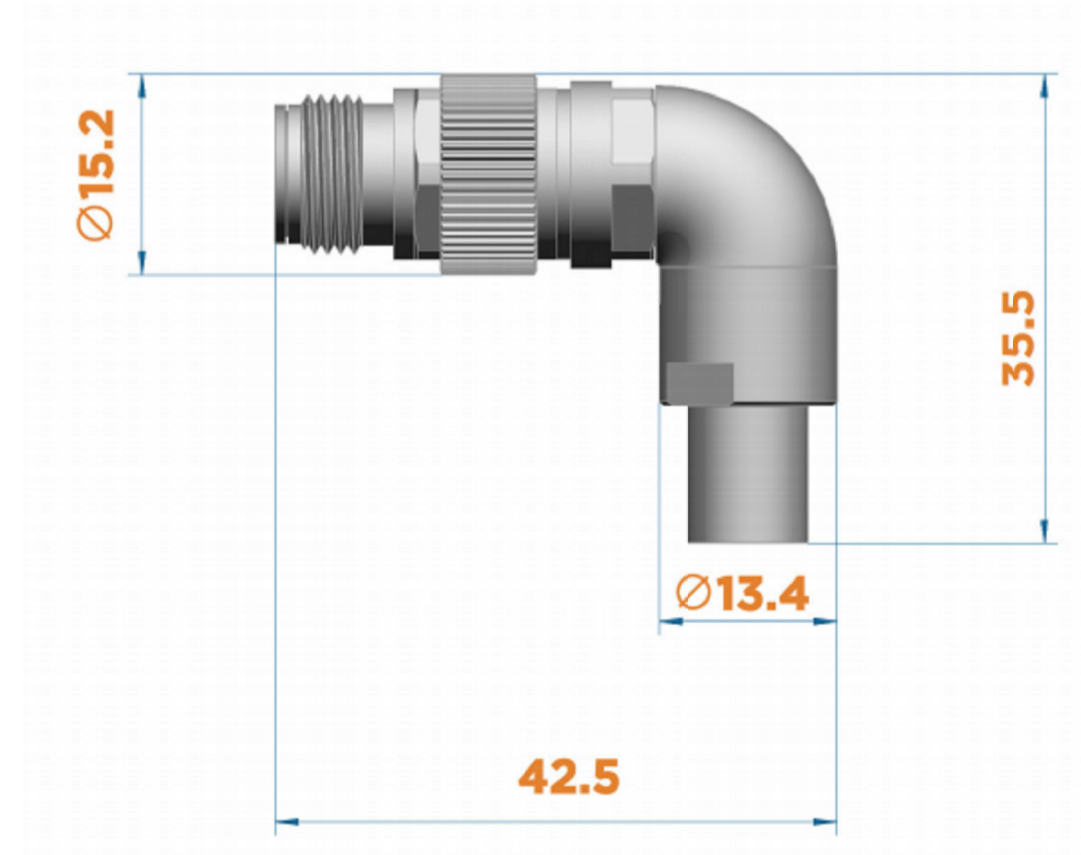


1-2823588-3

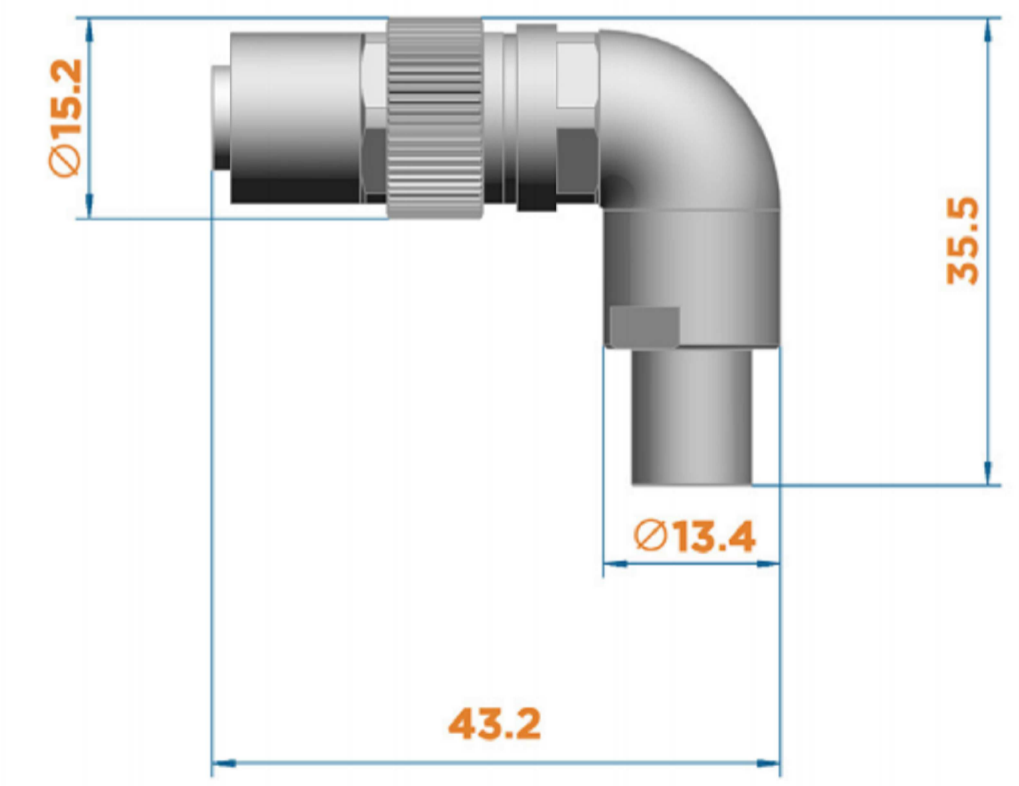


1-2823588-4

CODE	TE FG PN'S	TE DESCRIPTION	NUMBER OF POLES IN CONNECTOR	NUMBER OF CONTACTS REQUIRED	CABLE PLUG	BULKHEAD PLUG	CABLE REFERENCE	AWG	HAND TOOL (TE PN) (COMPACT)	HAND TOOL (TE PN) (STANDARD)	RECOMMENDED POSITIONER (TE PN) (COMPACT)	RECOMMENDED POSITIONER (TE PN) (STANDARD)	CRIMP INSERT TE PN'S		CABLE JACKET STRIPPING TOOL TE PN	ASSEMBLY TOOL HANDLE FOR CRIMP FLANGE TE PN	UNIVERSAL INSERT TE PN (ALL M12 CODES)	ASSEMBLY TOOL FRONT HOUSING AND BACK NUT TE PN	CABLE COLOUR	NUMBER OF WIRES PER CABLE	CABLE MANUFACTURER	CABLE PN	
D code	1-2823588-3	M12 D-90 DEGREE-M-4,TE CAT 5	4	4	X		TE Cat 5	X	601966-1	601967-1	X	X	No drawing or cable information available	X	X	X	X	X	X	X	X	TE	X
D code	1-2823588-4	M12 D-90 DEGREE-F-4,TE CAT 5	4	4			TE Cat 5	X	601966-1	601967-1	X	X	No drawing or cable information available	X	X	X	X	X	X	X	X	TE	X
D code	1-2823588-1	M12 D-90 DEGRE-M-4,CAT 5 RADOX 7.3MM,H&S	4	4	X		Cat 5 Radox 7.3mm	AWG20	601966-1	601967-1	22	SEL NO.7	CEH085	1-2823558-4	X	X	X	X	X	BLACK	4	H & S	12568935
D code	1-2823588-2	M12 D-90 DEGRE-F-4,CAT 5 RADOX 7.3MM,H&S	4	4			Cat 5 Radox 7.3mm	AWG22	601966-1	601967-1	22	SEL NO.7	CEH085	1-2823558-4	X	X	X	X	X	BLUE	4	H & S	12568935



1-2823588-3

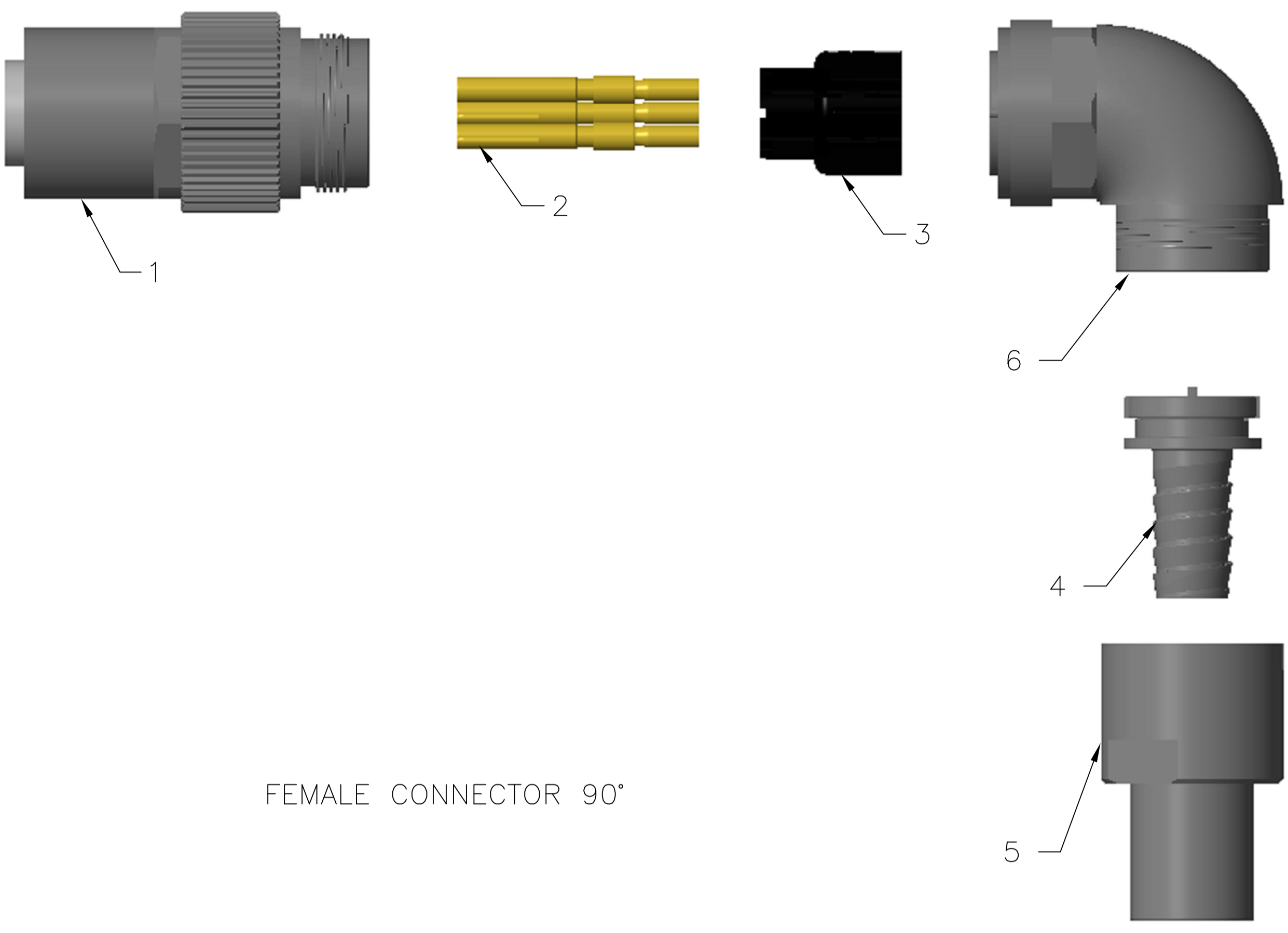


1-2823588-4

THIS DRAWING IS A CONTROLLED DOCUMENT.

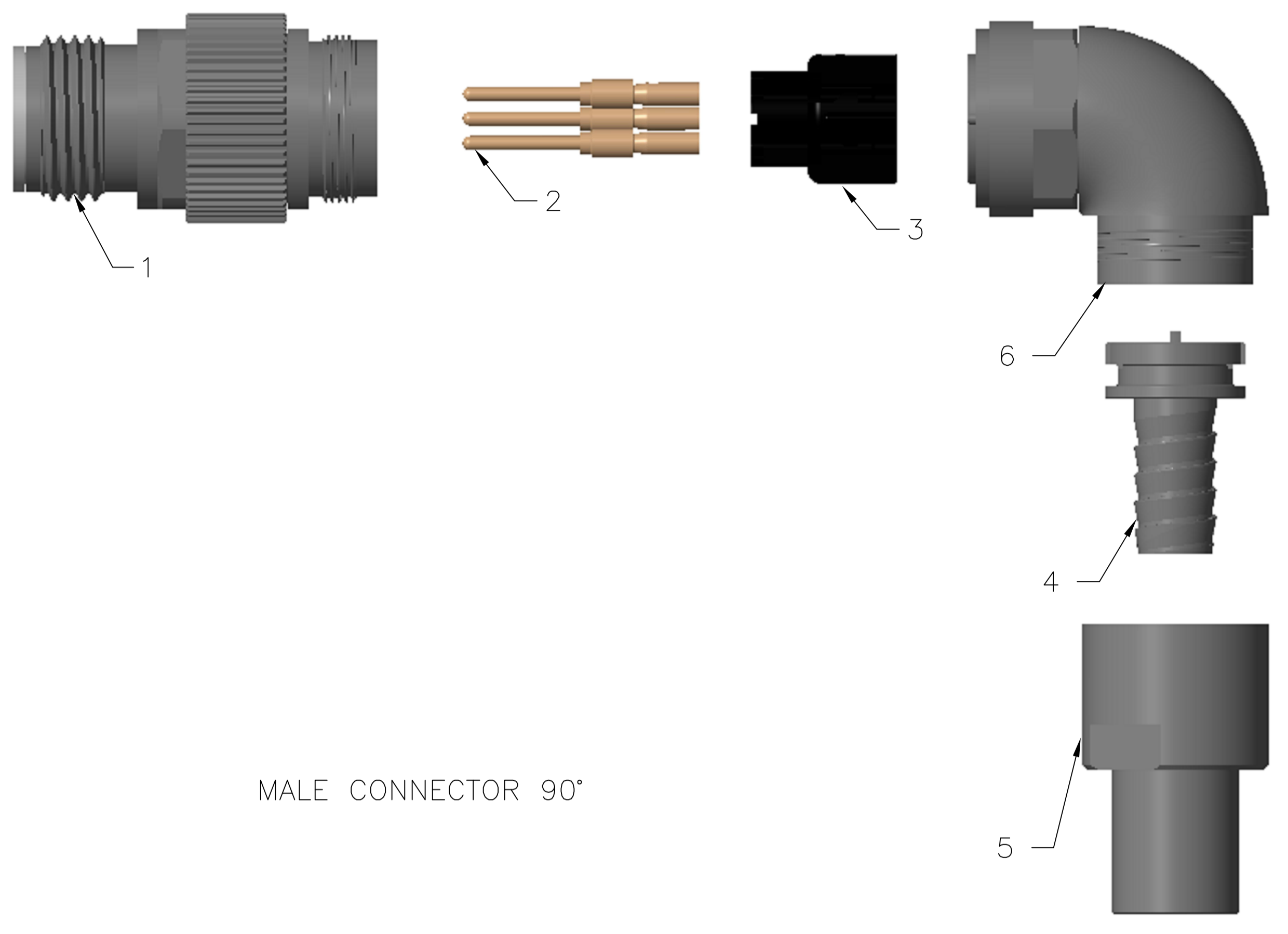
DIMENSIONS: mm		TOLERANCES UNLESS OTHERWISE SPECIFIED:		DWN KIRAN K 17OCT2016		CHK GUNASEKHAR G 17OCT2016		APVD GUNASEKHAR G 17OCT2016		NAME		STE TE Connectivity	
0 PLC	±	-		PRODUCT SPEC		108-156001		APPLICATION SPEC		408-156030		SIZE CAGE CODE DRAWING NO	
1 PLC	±	-		WEIGHT		-		SCALE		NTS		SHEET 1 OF 2	
2 PLC	±	-		RESTRICTED TO		-		CUSTOMER DRAWING		SCALE		SHEET 1 OF 2	
3 PLC	±	-		REV		A							
4 PLC	±	-											
ANGLES	±	-											
FINISH	-	-											

REVISIONS				
P	LTR	DESCRIPTION	DATE	APPD
-	-	SEE SHEET 1	-	-



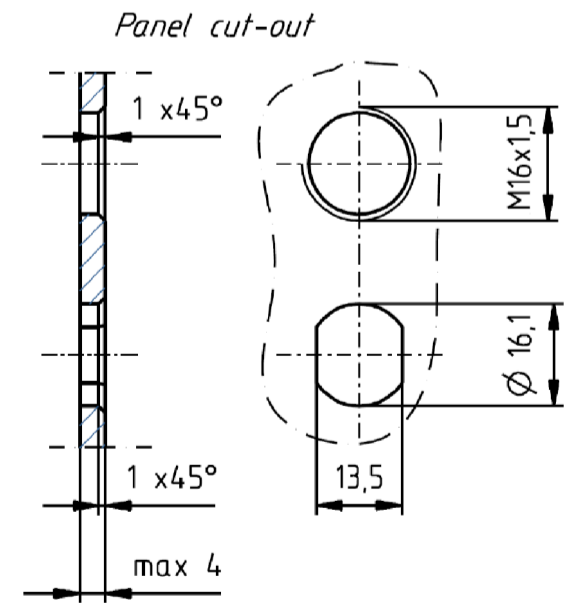
FEMALE CONNECTOR 90°

6	90° ELBOW	1	PC
5	BACK NUT & CRIMP SLEEVE	1	PC
4	CRIMP INSERT	1	PC
3	CONTACT HOLDER	1	PC
2	CRIMP CONTACTS MACHINED	5	PC
1	FRONT HOUSING	1	PC
ITEM	DESCRIPTION	QTY	UNITS



MALE CONNECTOR 90°

6	90° ELBOW	1	PC
5	BACK NUT & CRIMP SLEEVE	1	PC
4	CRIMP INSERT	1	PC
3	CONTACT HOLDER	1	PC
2	CRIMP CONTACTS MACHINED	5	PC
1	FRONT HOUSING	1	PC
ITEM	DESCRIPTION	QTY	UNITS



CUSTOMER CAN CHOOSE ANY ONE OF THE PANEL CUT-OUT.

NOTES:
 MATERIAL:
 ITEM NO. 1: HOUSING - BRASS, NICKEL PLATED.
 ITEM NO. 2: PLASTIC BODY - PA (UL94 V-0).
 ITEM NO. 3: CONTACT FINISH - Au (gold).
 CONTACT - CuZn (Brass).
 - ALL DIMENSIONS ARE FOR NOMINAL REFERENCE ONLY.
 -PACKAGING: 1 PIECE IN A BAG.
 -THE CONNECTOR IS AS PER IEC 61076-2-101.
 -TEMPERATURE RANGE: -40°C TO 85°C (WITH CABLE BOOT).
 -30°C TO 85°C (WITHOUT CABLE BOOT).
 -VIBRATION & SHOCK TEST CONDUCTED AS PER IEC 61373:1999.
 -FIRE PERFORMANCE CONDUCTED AS PER EN45545-2, NFF16-101 AND NFF16-102.
 -THE THREAD OF THE MATING INTERLACE WITH THE COUNTERPART IS M12x1 ACCORDING TO IEC61076-2-101.
 -CRIMP INSERT: SHOULD BE VALIDATED ON CABLE USED.

THIS DRAWING IS A CONTROLLED DOCUMENT.		DWN: KIRAN K 170CT2016		TE Connectivity	
DIMENSIONS: mm		CHK: GUNASEKHAR G 170CT2016			
TOLERANCES UNLESS OTHERWISE SPECIFIED:		APVD: GUNASEKHAR G 170CT2016		NAME: M12 RAIL 90 DEGREE, D-CODED FIELD INSTALLABLE CONNECTORS	
		PRODUCT SPEC: 108-156001		SIZE: A1	
MATERIAL: -		APPLICATION SPEC: 408-156030		CAGE CODE: 00779	
FINISH: -		WEIGHT: -		DRAWING NO: C=2823588	
CUSTOMER DRAWING				RESTRICTED TO: -	
SCALE: NTS				SHEET 2 OF 2	
				REV: A	