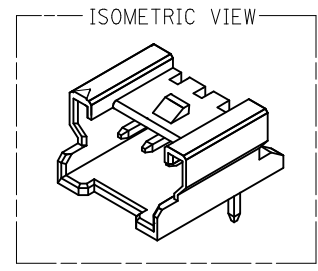


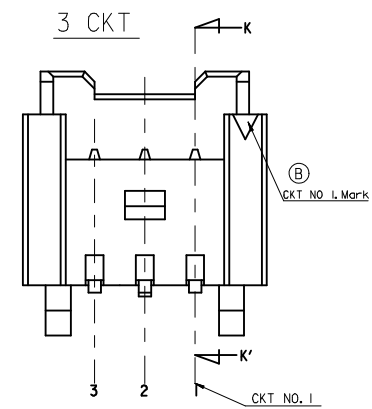
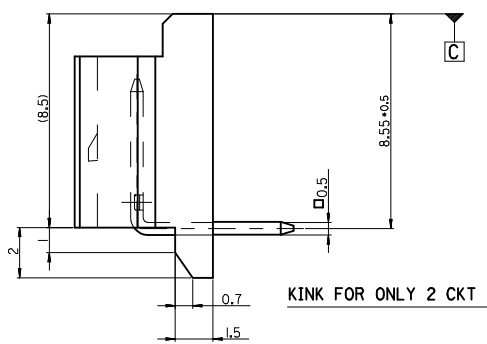
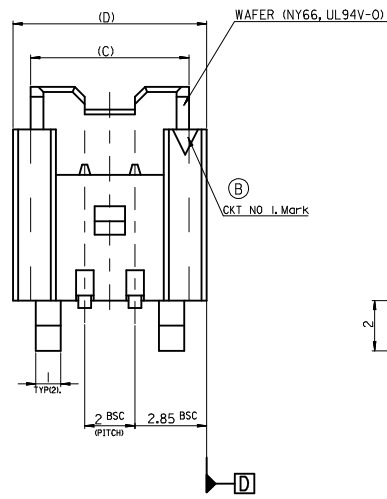
FOR 2 & 3 CKTS.



LEGEND

SD-35363-*** | * COLOR

0	: NATURAL
1	: BLACK
2	: RED
3	: YELLOW
4	: BLUE
5	: GREEN



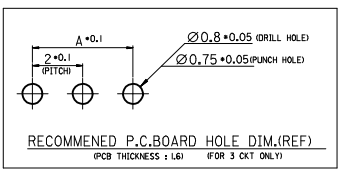
NOTES

- ① 1. MATERIAL : UNFILLED POLYAMIDE, UL94V-0
- 2. MATING HOUSING : 35007-***0*
- MATING TERMINAL : 50212-8000
- ③ CHAMBER : 0.3 MAX.
- 4. KINK

CKT NO	1	2	3
2 CKT	NONE	KINK	
3 CKT	A	B	A

5. PRODUCT SPECIFICATION NO : PS-35507-001

9.7	8.3	7.3	4	-031*	3
7.7	6.3	5.3	2	35363-021*	2
(D)	(C)	(B)	A	ENG. NO.	CKT



30 over	±0.3
10 over 30 under	±0.25
10 under	±0.2
ANGLE	±3°
GENERAL TOLERANCE	

REVISED
 EC NO: KOR2008-0018
 DRWN: JBAE 2009/01/14
 CHKD: YS00KIM 2009/01/14
 APPR: YUNS IKIM 2009/01/15

QUALITY SYMBOLS
 ▽=0
 ▽=0
 REV DESCRIPTION

GENERAL TOLERANCES (UNLESS SPECIFIED)

	mm	INCH
4 PLACES	±---	±---
3 PLACES	±---	±---
2 PLACES	±---	±---
1 PLACE	±0.15	±---
ANGULAR ± 1°		

DRAFT WHERE APPLICABLE
 MUST REMAIN WITHIN DIMENSIONS

DIMENSION STYLE
MM ONLY

SCALE
5:1

DESIGN UNITS
METRIC

THIRD ANGLE PROJECTION

DRAWN BY
 YS00KIM

DATE
 1996/09/11

CHECKED BY
 JKOH

DATE
 1996/09/11

APPROVED BY
 CWLEE

DATE
 1996/09/11

MATERIAL NO.

ENTER PART

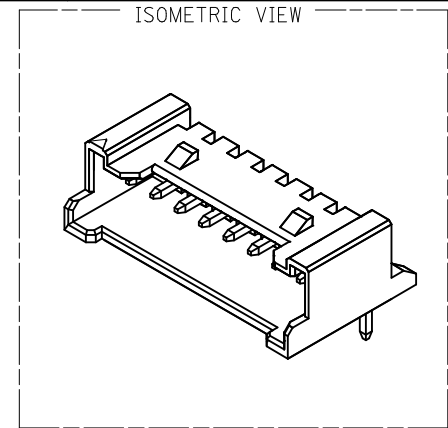
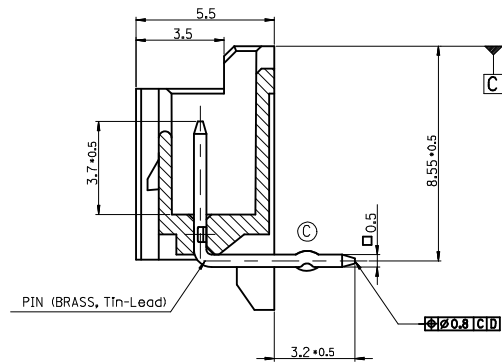
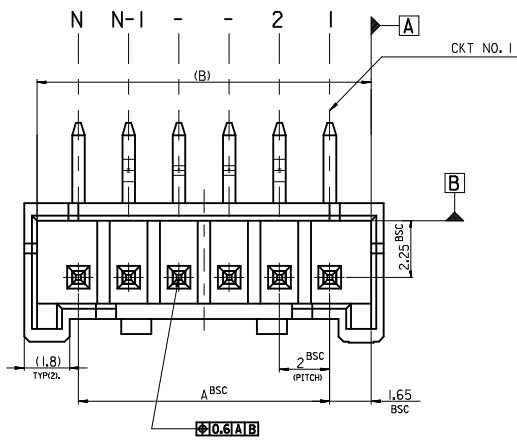
TITLE
**2.0 W/B CONN
 WAFER ASSY
 (R/A)**

MOLEX INCORPORATED

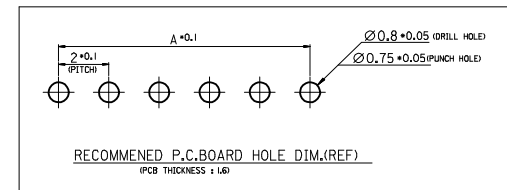
DOCUMENT NO.
SD-35363-001

SHEET NO.
2 OF 3

THIS DRAWING CONTAINS INFORMATION THAT IS PROPRIETARY TO MOLEX INCORPORATED AND SHOULD NOT BE USED WITHOUT WRITTEN PERMISSION



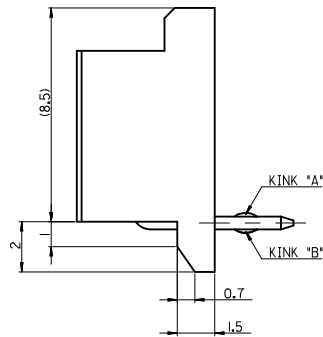
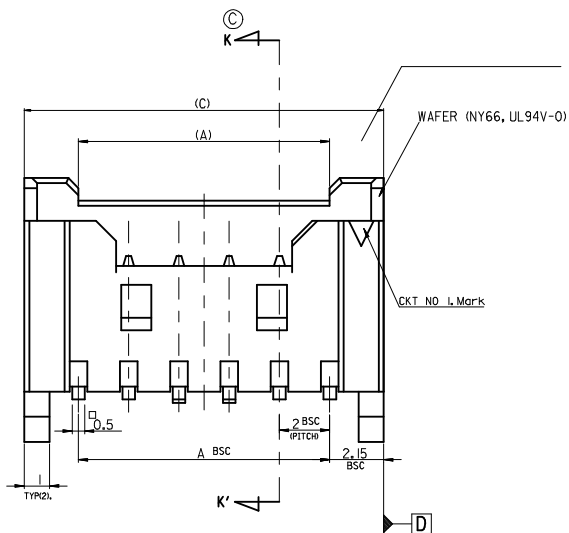
SECTION K-K'



LEGEND

SD-35363-***	COLOR	0 : NATURAL
CKT NO. _____		1 : BLACK
		2 : RED
		3 : YELLOW
		4 : BLUE
		5 : GREEN

42.3	41.3	38	35363-20I*	20
(C)	(B)	A	ENG. NO.	CKT



NOTES

- MATERIAL : UNFILLED POLYAMIDE, UL94V-0
- MATING HOUSING : 35007-***0*
- MATING TERMINAL : 50212-8000
- KINK

CKT NO	1	2	3	4	N-3	N-2	N-1	N
20	-	A	B	-	-	B	A	-

4. PRODUCT SPECIFICATION NO : PS-35507-001

30 over	+0.3
10 over 30 under	± 0.25
10 under	± 0.2
ANGLE	$\pm 3^\circ$
GENERAL TOLERANCE	

REVISED
 EC NO: KOR2008-0018
 DRWN: JHAE
 CHKD: YSOOKIM
 APPR: YUNS IKKIM

QUALITY SYMBOLS
 $\blacktriangledown = 0$
 $\triangle = 0$

GENERAL TOLERANCES (UNLESS SPECIFIED)	
PLACES	mm INCH
4 PLACES	\pm --- \pm ---
3 PLACES	\pm --- \pm ---
2 PLACES	\pm --- \pm ---
1 PLACE	± 0.15 \pm ---
ANGULAR $\pm 1^\circ$	
DRAFT WHERE APPLICABLE MUST REMAIN WITHIN DIMENSIONS	

DIMENSION STYLE: MM ONLY
 SCALE: 5:1
 DESIGN UNITS: METRIC
 THIRD ANGLE PROJECTION
 DRAWN BY: YSOOKIM
 CHECKED BY: JKOH
 APPROVED BY: CWLEE
 DATE: 1996/09/11

TITLE: 2.0 W/B CONN WAFER ASSY (R/A)
 MOLEX INCORPORATED
 DOCUMENT NO.: SD-35363-001
 SHEET NO.: 3 OF 3
 ENTER PART