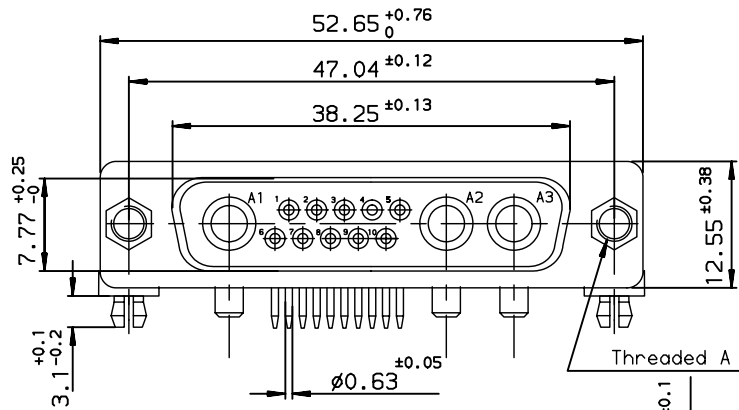
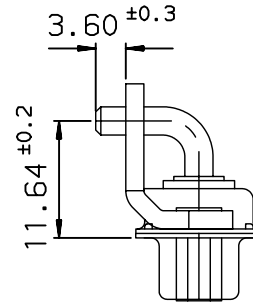


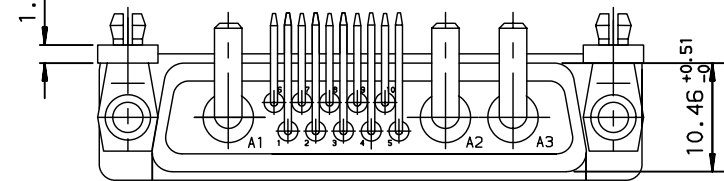
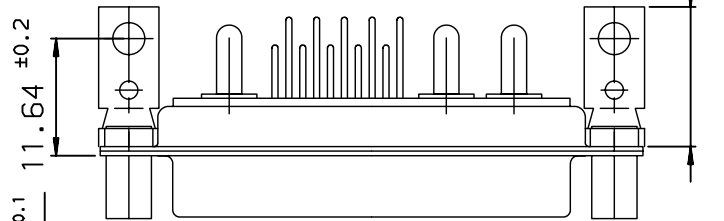
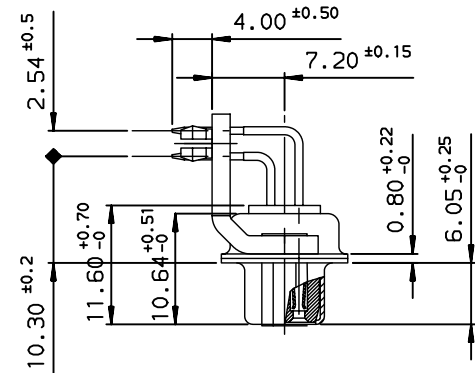
GENERAL CHARACTERISTICS : SEE DRAWING C01-8639-0000



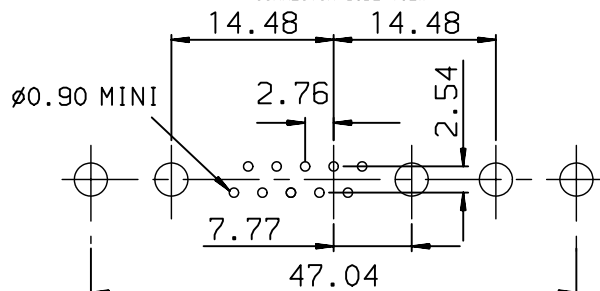
VIEW WITH POWERS CONTACTS



VIEW WITHOUT POWERS CONTACTS



LAYOUT DIMENSIONS (after plating)
CONNECTOR SIDE VIEW



DBV13W3S543G40	UNC 4.40
DBV13W3S500G40	UNC 4.40
DBI13W3S543G40	M3
DBI13W3S500G40	M3
PART NUMBER	Threaded A

European Views

www.fciconnect.com		surface ISO 1302 ✓	tolerance std ISO 406 ISO 1101	projection mm
TOLERANCES UNLESS OTHERWISE SPECIFIED				
Dr	JARRY	2003/10/30	ANGULAR	size A3
Eng	JARRY	2003/10/30	LINEAR	Scale 2
Chr	LEGARE	2003/10/30	0.XX ±0.1	ECN LS07-0250
Appr	LEGARE	2003/10/30	0.XXX ±0.1	Spec ref -
Product family			SUB	
		SOCKET CRS RIGHT ANGLED WITH POWERS CONTACTS		dwg no C01-8639-0597
catalog no		-		Rev. D
CUSTOMER			sheet 1 of 1	

rev	ecn no	dr	date
C	-	CJA	2003/10/30
D	LS07-0250	MPE	2007/10/05
-	-	-	-
-	-	-	-
-	-	-	-
-	-	-	-

REV F - 2006-04-17