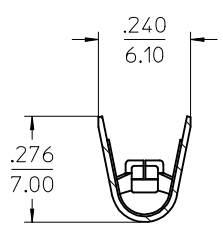
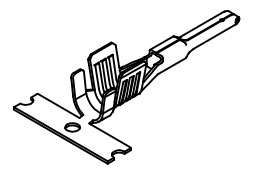
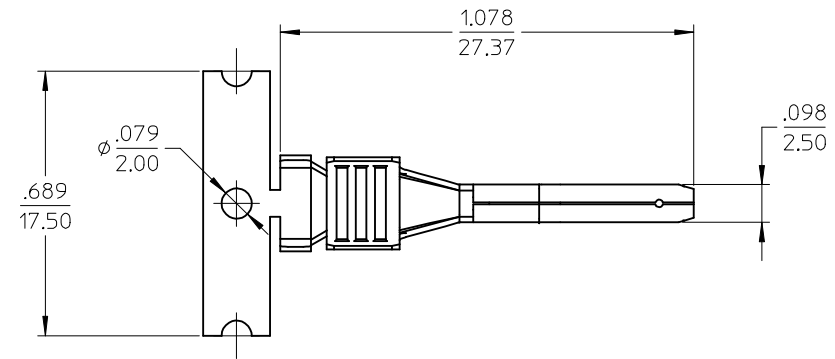
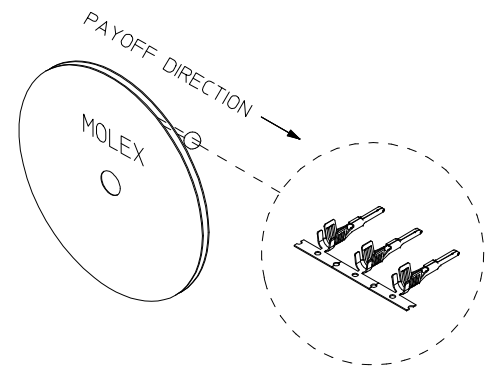
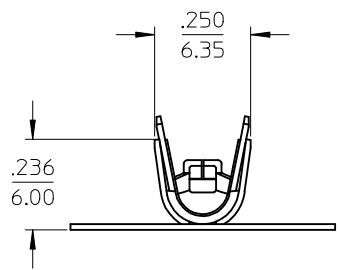


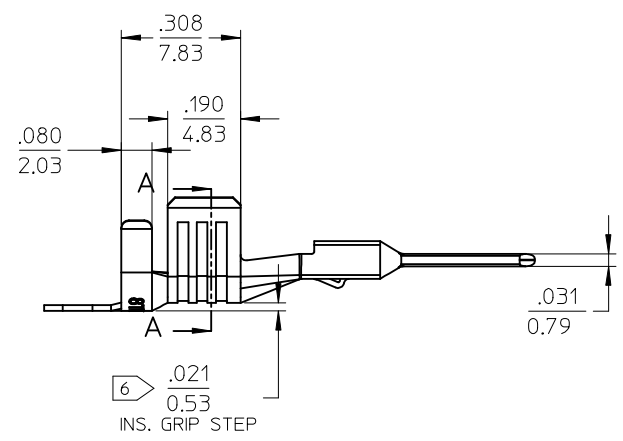
STRIP MATERIAL NUMBER	LOOSE PIECE MATERIAL NUMBER	AWG SIZE	WIRE INSULATION DIAMETER
194310056	194310057	8 TW	.153-.191" (3.90-4.85MM)



SECTION A-A
CONDUCTOR GRIP



INSULATION GRIP



- NOTES:
1. MATERIAL: COPPER ALLOY.
 2. FINISH: PREPLATED AND REFLOWED OVERALL. 100μ TIN OVER 50μ NICKEL, MINIMUM.
 3. DO NOT USE TERMINALS WITH 19433**** PLUG HOUSINGS.
 4. PACKAGING SPECIFICATION: PK-19431-001 FOR LOOSE TERMINALS. STRIP PARTS ARE REELED 2000 TERMINALS PER REEL. (B)
 5. APPLICATION TOOLING AND CRIMP SPECIFICATIONS: CONSULT FACTORY
 - 6 INSULATION GRIP STEP DIMENSION NOT TO BE ALTERED BY CRIMP PROCESS.
 7. ALL DIMENSIONS ARE REFERENCE.

CHG REEL QTY FROM 2500	EC NO: IPG2015-0205	2014/07/31	DESCRIPTION
	DRW:WLEUNG	2014/07/31	
	CHKD:TWOLDEE	2014/08/12	
	APPR:WOODMAN	2014/08/12	
REV			

QUALITY SYMBOLS	▼=0
	▽=0
GENERAL TOLERANCES (UNLESS SPECIFIED)	
	mm
	INCH
4 PLACES	± .010
3 PLACES	± .010
2 PLACES	± .020
1 PLACE	± 0.25
0 PLACE	± .010
ANGULAR ± 3 °	
DRAFT WHERE APPLICABLE MUST REMAIN WITHIN DIMENSIONS	

DIMENSION STYLE		SCALE	DESIGN UNITS	THIRD ANGLE PROJECTION
IN/MM		4:1	INCH	
DRAWN BY	DATE	TITLE		
WLEUNG	2012/11/26	MX150L MALE TERMINAL		
CHECKED BY	DATE	8AWG TW		
BRUPERT	2013/09/06	(THIN WALL INSULATION)		
APPROVED BY	DATE	molex		
JFMURPHY	2013/12/26			
MATERIAL NO.	DOCUMENT NO.	SHEET NO.		
SEE CHART	SD-19431-003	1 OF 1		

THIS DRAWING CONTAINS INFORMATION THAT IS PROPRIETARY TO MOLEX INCORPORATED AND SHOULD NOT BE USED WITHOUT WRITTEN PERMISSION