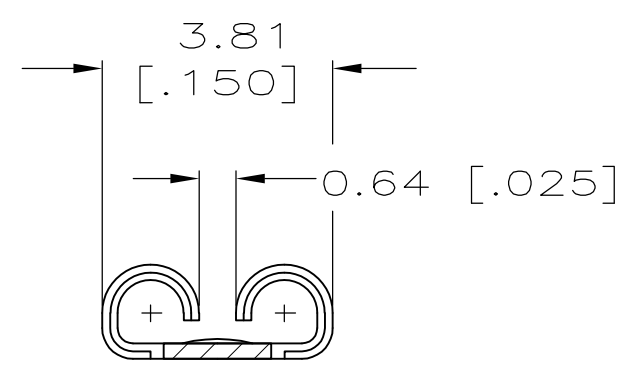
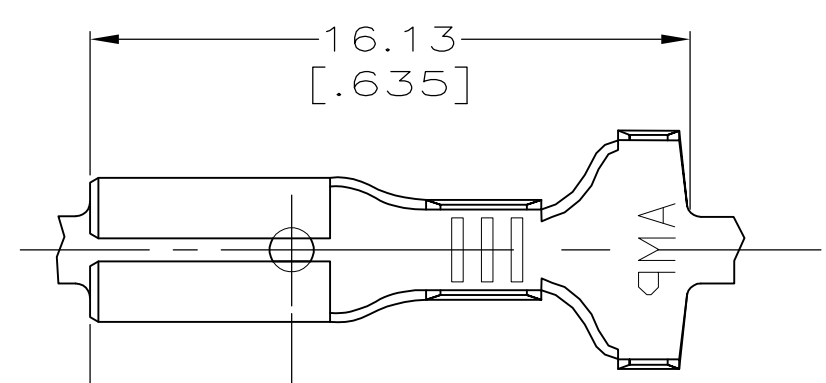


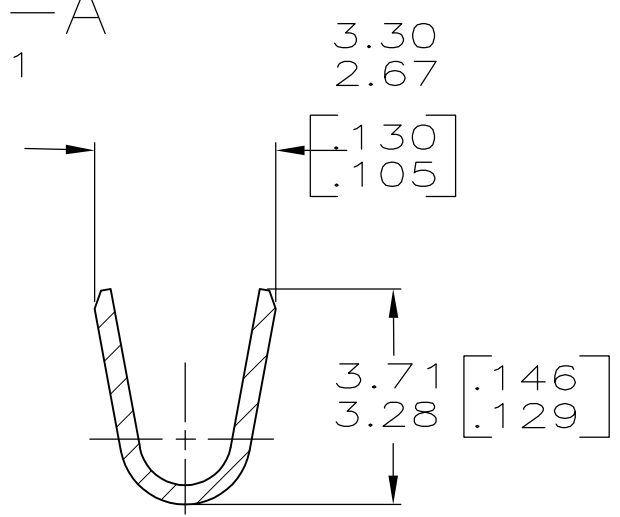
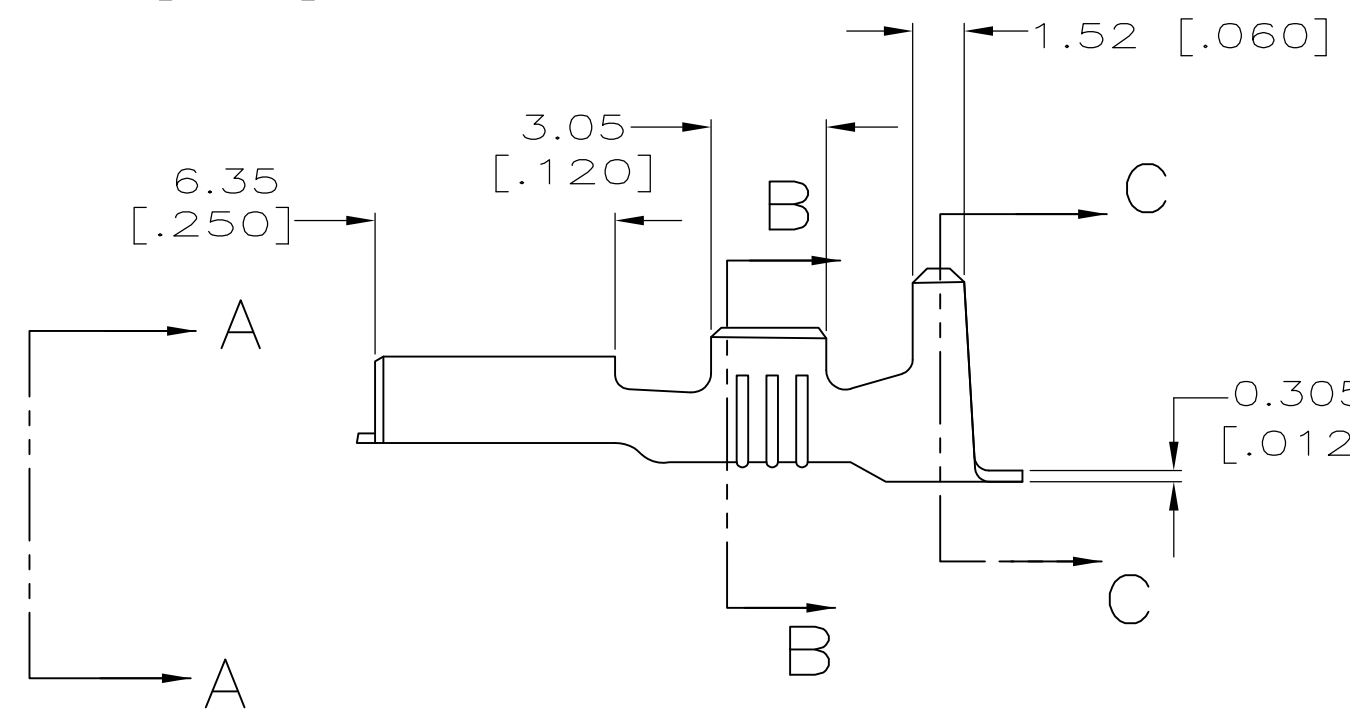
THIS DRAWING IS UNPUBLISHED. RELEASED FOR PUBLICATION
 © COPYRIGHT - By - ALL RIGHTS RESERVED.

LOC	DIST	REVISIONS			
P	LTR	DESCRIPTION	DATE	DWN	APVD
AF	50	B	REVISED PER ECR-12-013518	26NOV12	KH PD

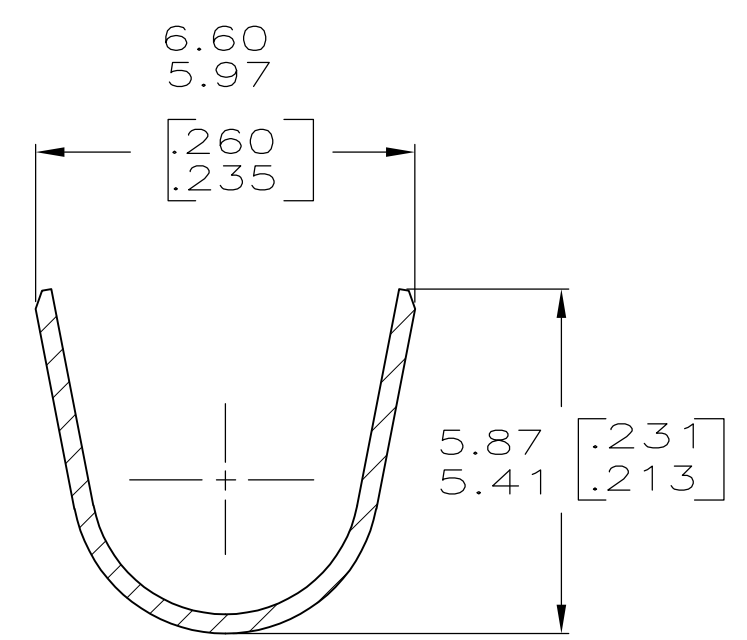
- CONTINUOUS STRIP ON REELS.
- ACCEPTS WIRE SIZE [#18-#14] AWG.
- INSULATION RANGE TO BE 2.79-4.83 [.110-.190] DIA.
- MATING TAB THK TO BE 0.813±0.025 [.032±.001].



VIEW A-A
SCALE 8:1



SECTION B-B
SCALE 8:1



SECTION C-C
SCALE 8:1

1217003-1
PART NO

THIS DRAWING IS A CONTROLLED DOCUMENT.		DWN	JR RUTH	7/14/97	TE Connectivity				
DIMENSIONS: mm [INCHES]		CHK	P FORTNEY	7/14/97					
TOLERANCES UNLESS OTHERWISE SPECIFIED:		APVD	P DESANTIS	7/14/97	NAME				
0 PLC ± - 1 PLC ± - 2 PLC ± 0.38 [.015] 3 PLC ± - 4 PLC ± - ANGLES ± -		PRODUCT SPEC		RECEPTACLE, FASTON,™ 2.79 [.110] SERIES					
MATERIAL		APPLICATION SPEC		114-2036		SIZE	CAGE CODE	DRAWING NO	RESTRICTED TO
BRASS		FINISH		-		A300779		C=1217003	-
CUSTOMER DRAWING				SCALE	5:1	SHEET	1 OF 1	REV	B