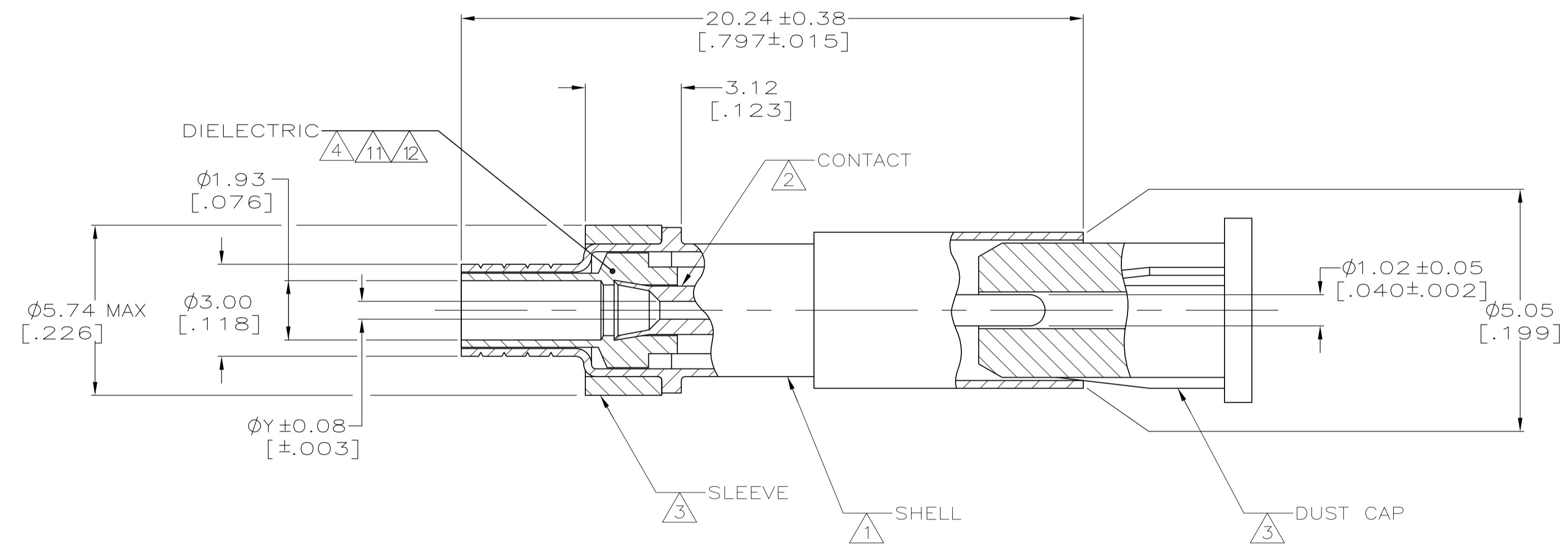


| LOC | | DIST | | REVISIONS | | | |
|-----|---------|-----------------------------|------|-----------|-----|------|--|
| REV | DATE | DESCRIPTION | DATE | BY | CHK | APPV | |
| AV | 11MAY05 | REVISED PER EC OS14-0163-05 | | BM | JL | | |
| AV1 | 09SEP09 | REVISED PER ECO-09-020935 | | KK | AEG | | |



- 1 BRASS PER QQ-B-626.
- 2 BERYLLIUM COPPER PER ASTM-B-196
- 3 NYLON PER ASTM-D-4066, BLACK
- 4 POLYMETHYLPENTENE GENERAL PURPOSE, NATURAL
- 5 0.00076[.000030] MINIMUM GOLD PER MIL-G-45204.
- 6 0.00254[.000100] MINIMUM GOLD PER MIL-G-45204.
- 7 SHIELDED CABLE #26=NAS-702 CLASS A & C, AND MIL-W-16878 TYPES E & EE, SHIELDED CABLE #24=NAS-702 CLASS A & C, AND MIL-W-16878 TYPES E & EE, SHIELDED CABLE #22=NAS-702 CLASS C, AND MIL-W-16878 TYPE E, AND MIL-C-7078A TYPE I NUMBER 1 DIELECTRIC .068 O.D.
- 8 RG-174/U, RG-179A/U, RG-187/U, AND 21-598.
- 9 SHIELDED CABLE #26=NAS-702 CLASS A, AND MIL-C-7078A TYPE II.
- 10. SEE IS 408-1770
- 11 NYLON PER ASTM-D-4066, NATURAL
- 12 OBSOLETE PARTS: OBSOLETE CIS STREAMLINING PER D.RENAUD/D.SINISI

| | | | | | | | | | | |
|-----------------|---------------|--------|--------------------|------------|---------|-----------------|--------------------------|---------------------|-------------|------------|
| OBSOLETE | 5 | 5 | .034 OUNCES | - | - | 0.81[.032] | - | - | - | 1-201144-8 |
| | - | - | 1.65 GRAMS MAX | 8 | 45368-2 | - | 328666 | 201142-2 | 201144-1 | 1-201144-1 |
| OBSOLETE | 6 | 6 | .034 OUNCES | - | - | 0.81[.032] | - | - | - | 201144-7 |
| OBSOLETE | 6 | 6 | .034 OUNCES | - | - | 0.58[.023] | - | - | - | 201144-6 |
| | 5 | 5 | .034 OUNCES | - | - | 0.81[.032] | - | - | - | 201144-5 |
| | 5 | 5 | .034 OUNCES | - | - | 1.07[.042] | - | - | - | 201144-3 |
| | 6 | 6 | .034 OUNCES | - | - | 0.58[.023] | - | - | - | 201144-1 |
| CONTACT PLATING | SHELL PLATING | WEIGHT | CABLE OR WIRE SIZE | CRIMP TOOL | Y | 3 FERRULE QTY=1 | 2 SPRING RETENTION QTY=1 | 1 SOCKET ASSY QTY=1 | PART NUMBER | |

THIS DRAWING IS A CONTROLLED DOCUMENT.

| | | | |
|-------------------------|--|--------------------------|---|
| DIMENSIONS: mm [INCHES] | TOLERANCES UNLESS OTHERWISE SPECIFIED: | DIN J. LIPPERT 18 DEC 89 | Tyco Electronics Corporation Harrisburg, Pa 17105-3608 |
| 0 PLC ± - | 1 PLC ± - | 22 FEB 90 | |
| 2 PLC ± - | 3 PLC ± 0.20(.008) | M. SNFED 22 FEB 90 | Tyco Electronics |
| 4 PLC ± - | ANGLES ± - | B. ADAMS 22 FEB 90 | |
| MATERIAL | FINISH | NAME | SOCKET, MINIATURE SERIES |
| | | PRODUCT SPEC | 108-12021 |
| | | APPLICATION SPEC | |
| | | SIZE | SCALE 8:1 |
| | | WEIGHT | SHEET 1 OF 1 |
| | | CUSTOMER DRAWINGS | REV AV1 |