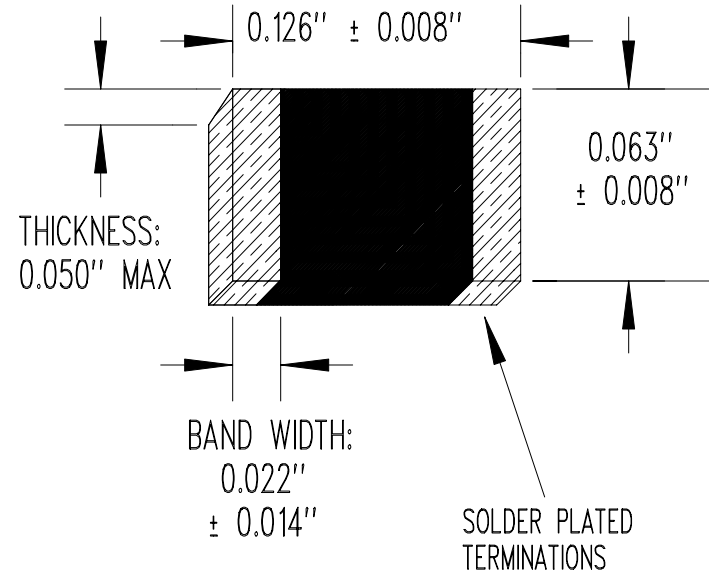


RESISTANCE/TEMPERATURE TABLE			
TEMP (°C)	RESIS (Ω)	TEMP (°C)	RESIS (Ω)
-40	20,231,925	45	203,932
-35	14,414,259	50	165,287
-30	10,382,098	55	134,659
-25	7,555,371	60	110,251
-20	5,552,185	65	90,696
-15	4,118,005	70	74,951
-10	3,081,187	75	62,211
-5	2,324,691	80	51,854
0	1,767,868	85	43,397
5	1,354,581	90	36,488
10	1,045,383	95	30,800
15	812,299	100	26,096
20	635,316	105	22,191
25	500,000	110	18,936
30	396,006	115	16,213
35	315,580	120	13,926
40	252,973	125	12,000



RESISTANCE @ +25°C = 500,000 Ω ± 5%
 BETA "β" (+25 TO +85°C) = 4,350°K NOMINAL
 POWER RATING = 400 mW/°C
 OPERATING TEMPERATURE RANGE = -40 TO +125°C

SEE MANUFACTURING SPECIFICATION (LAYER 1)

NONE	RELEASE TO PRODUCTION	09/29/04	DD
REV	REVISION RECORD	DATE	APP

SCALE	NONE	U.S. SENSOR CORP. 1832 W. COLL INS AVE. ORANGE, CA . 92867 714-639-1000 www.ussensor.com
DRAWN BY	DAN DANKERT	
DATE	09/29/04	
REV	NONE	
LAYER	0 OF 2	
		THERMISTOR, NTC CHIP
		P/N LR504VOJ