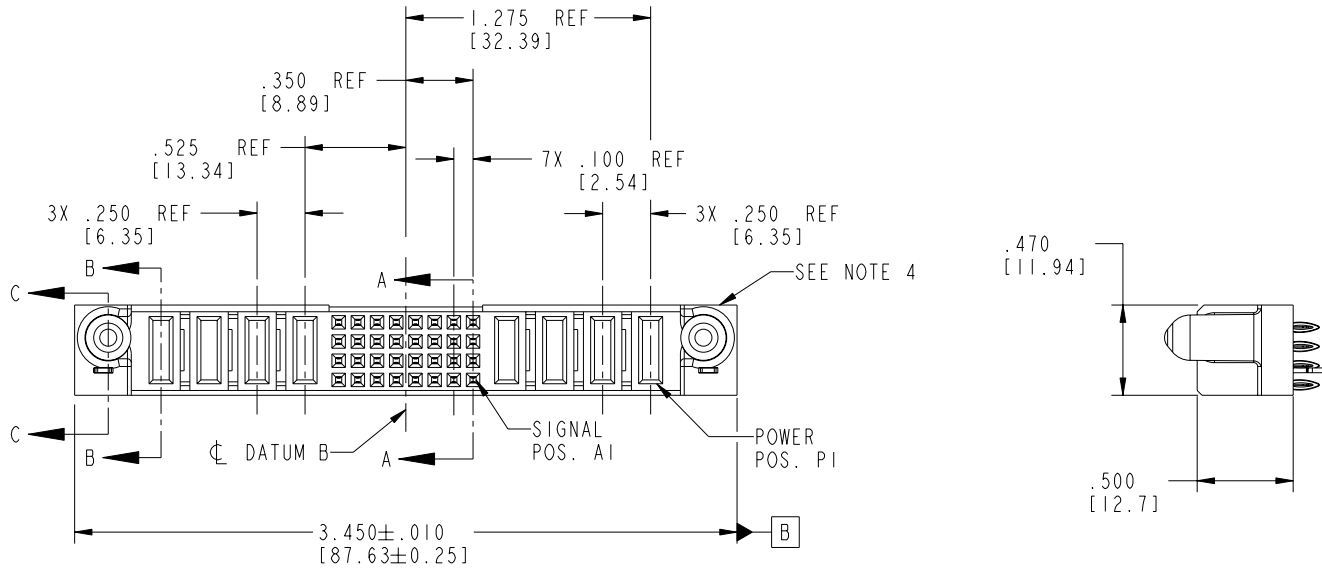


Tous droits strictement réservés. Reproduction ou communication a des tiers interdite sous quelque forme que ce soit sans autorisation écrite du propriétaire. Propriété de c FCI. Droits de reproduction FCI.



All rights strictly reserved. Reproduction or issue to third parties in any form whatever is not permitted without written authority from the proprietor. Property of FCI. Copyright FCI.

PRODUCT NO.	ROWS	POWER				SIGNAL					POWER												
		E2	P8	P7	P6	P5	8	7	6	5	4	3	2	1	P4	P3	P2	P1	E1				
51750-050-- NOTE: 3	D C B A						F	F	F	F	F	F	F	F	F	F	F	F					



CODE	DIM "M" MATING LENGTH	CONTACT TYPE
F	N/A [N/A]	SIGNAL
PC	.042 [1.07]	POWER
PF	.092 [2.34]	POWER
HA	N/A [N/A]	HOLD-DOWN

mat'l code				SEE NOTE 2		tolerances unless otherwise specified		CUSTOMER		 www.fciconnect.com	
ltr	ecn no.	dr	date	linear	.XX±.01/0.X±0.3		COPY		title		
A	V03-0905	TAB	08/15/03		.XXX±.005/0.XX±0.13		projection		4P + 32S + 4P		
B	DG05-0304	GuoJM	09/02/05	angles	.XXX±.0020/0.XXX±0.051				VERTICAL PRESS-FIT RECEPT		
					0° ± 2°		INCH/MM		product family		code
				dr		T. BRUNGARD 08/15/03		PwrBlade		213	
				engr		M. MOSTOLLER 08/15/03		size		dwg no	
				chr		M. MOSTOLLER 08/15/03		A		51750-050	
				appd		M. MOSTOLLER 08/15/03		scale		sheet	
								1:1		1 of 4	
sheet index		revision sheet		B	B	B	B				
				1	2	3	4				

1 | 2

Pro/E

3 |

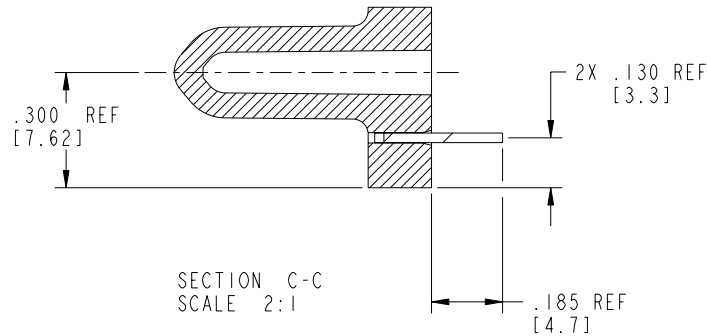
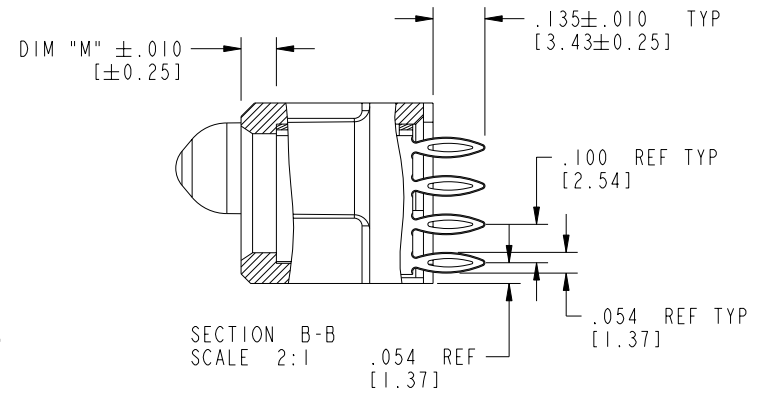
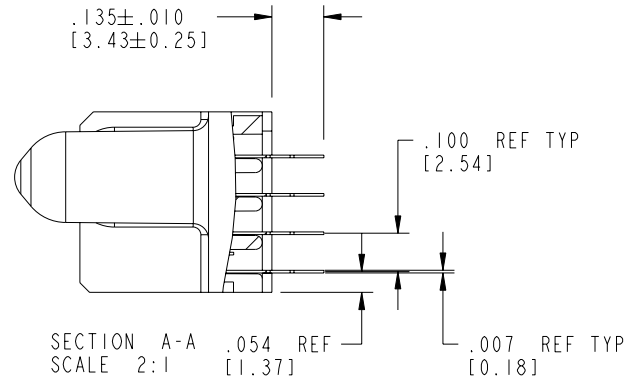
cage code 22526


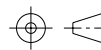
4

Tous droits strictement réservés. Reproduction ou communication a des tiers interdite sous quelque forme que ce soit sans autorisation écrite du propriétaire. Propriété de c FCI. Droits de reproduction FCI.

All rights strictly reserved. Reproduction or issue to third parties in any form whatever is not permitted without written authority from the proprietor. Property of FCI. Copyright FCI.

PRODUCT NUMBER
51750-050__
NOTE: 3



mat'l code				SEE NOTE 2		tolerances unless otherwise specified		CUSTOMER		 www.fciconnect.com	
ltr	ecn no.	dr	date	linear	.XX±.01/0.X±0.3		COPY		title		
B					.XXX±.005/0.XX±0.13		projection		4P + 32S + 4P		
					.XXX±.0020/0.XX±0.051				VERTICAL PRESS-FIT RECEIPT		
				angles	0° ± 2°		INCH/MM		product family		code
				dr	T. BRUNGARD	08/15/03	scale		PwrBlade		213
				enr	M. MOSTOLLER	08/15/03	1:1		size		sheet
				chr	M. MOSTOLLER	08/15/03			A		2 of 4
				appd	M. MOSTOLLER	08/15/03			51750-050		
sheet index	revision sheet										

Pro/E

cage code 22526

PDM: Rev:B

STATUS: Released

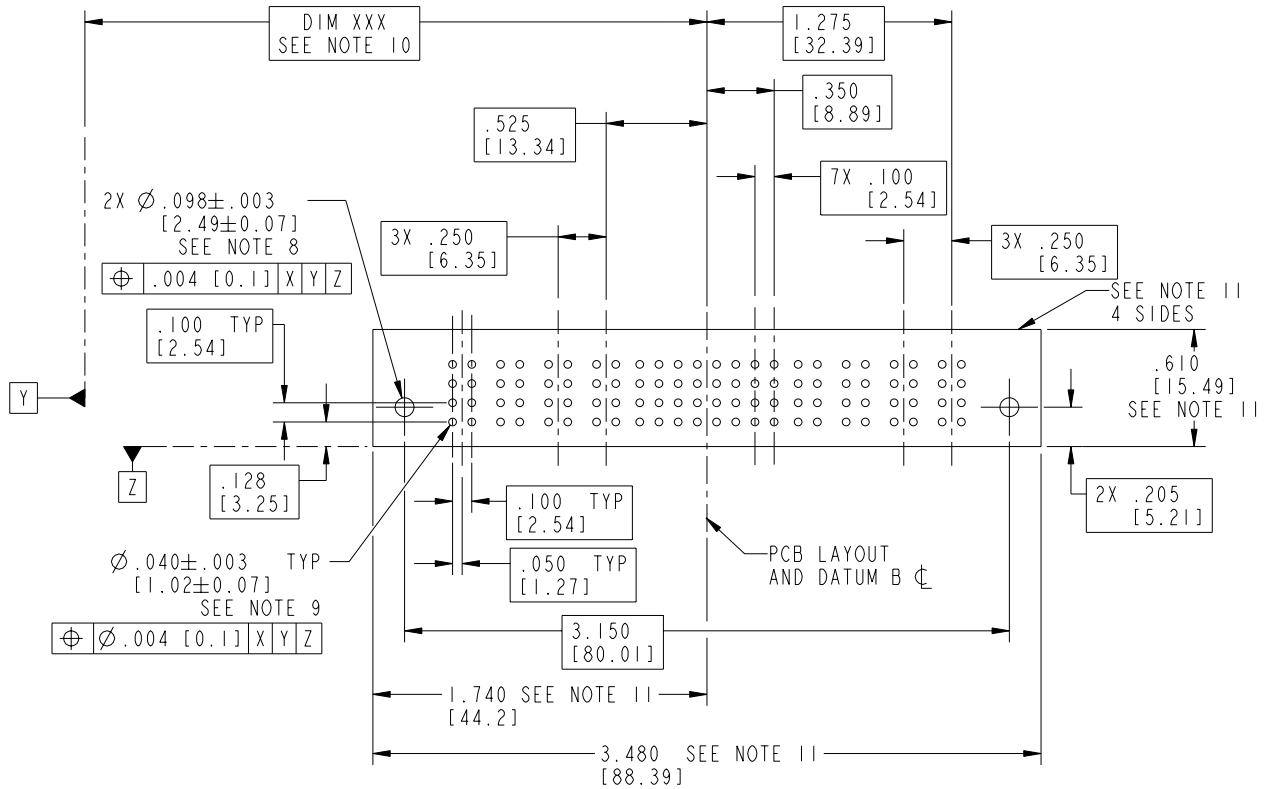
Printed: Dec 20, 2010

Tous droits strictement réservés. Reproduction ou communication a des tiers interdite sous quelque forme que ce soit sans autorisation écrite du propriétaire. Propriété de c FCI. Droits de reproduction FCI.

FCI

All rights strictly reserved. Reproduction or issue to third parties in any form whatever is not permitted without written authority from the proprietor. Property of FCI. Copyright FCI.

PRODUCT NUMBER
51750-050__
NOTE: 3



mat'l code				SEE NOTE 2		tolerances unless otherwise specified		CUSTOMER		FCI www.fciconnect.com	
ltr	ecn no.	dr	date	linear	.XX±.01/0.X±0.3		COPY		projection	title 4P + 32S + 4P	
B					.XXX±.005/0.XX±0.13		INCH/MM			VERTICAL PRESS-FIT RECEPT	
					.XXX±.0020/0.XXX±0.051		scale			product family PwrBlade code 213	
				angles	0° ± 2°		1:1		size dwg no		
				dr	T. BRUNGARD	08/15/03			A 51750-050		
				enr	M. MOSTOLLER	08/15/03			sheet 3 of 4		
				chr	M. MOSTOLLER	08/15/03					
				appd	M. MOSTOLLER	08/15/03					
sheet index	revision sheet										

cage code 22526

Pro/E

PDM: Rev:B

STATUS: Released

Printed: Dec 20, 2010

Tous droits strictement réservés. Reproduction ou communication a des tiers interdite sous quelque forme que ce soit sans autorisation écrite du propriétaire. Property of FCI. Droits de reproduction FCI.

FCI

All rights strictly reserved. Reproduction or issue to third parties in any form whatever is not permitted without written authority from the proprietor. Property of FCI. Copyright FCI.

PRODUCT NUMBER
51750-050__
NOTE: 3

NOTES:

1. DIMENSIONS AND TOLERANCES ARE IN ACCORDANCE WITH ASME Y14.5M, 1994 UNLESS OTHERWISE SPECIFIED.

CONNECTOR NOTES:

2 HOUSING MATERIAL: UL 94 V-0 GLASS FILLED
HIGH-TEMP THERMOPLASTIC
POWER CONTACT MATERIAL: COPPER ALLOY
SIGNAL PIN MATERIAL: COPPER ALLOY

3. PLATING:

51750-050 Singal Pin:30u"/0.76um Au OVER 50u"/1.27um Ni ON THE CONTACT AREA,
AND 100u"/2.54um SnPb PLATING OVER 50u"/1.27um Ni ON THE TERMINATION SECTION.
Power Pin:30u"/0.76um Au OVER 50u"/1.27um Ni ON THE CONTACT AREA,
AND 100u"/2.54um SnPb PLATING OVER 50u"/1.27um Ni ON THE TERMINATION SECTION.

51750-050LF Singal Pin:30u"/0.76um Au OVER 50u"/1.27um Ni ON THE CONTACT AREA,
AND 78u"/2.00um Sn PLATING OVER 50u"/1.27um Ni ON THE TERMINATION SECTION.
Power Pin:30u"/0.76um Au OVER 50u"/1.27um Ni ON THE CONTACT AREA,
AND 78u"/2.00um Sn PLATING OVER 50u"/1.27um Ni ON THE TERMINATION SECTION.

PART NUMBER 51750-050LF MEETS EUROPEAN UNION DIRECTIVE AND OTHER COUNTRY REGULATIONS AS DESCRIBED IN GS-22-008.

THE HOUSING WILL WITHSTAND EXPOSURE TO 260° PEAK TEMPERATURE FOR 10 SECONDS IN A WAVE SOLDER APPLICATION WITH A CIRCUIT BOARD.

4 MANUFACTURER'S NAME, P/N, AND DATE CODE TO APPEAR ON THIS SURFACE.

5. PRODUCT SPECIFICATION GS-12-149.
APPLICATION SPECIFICATION BUS-20-067.

6. PACKAGED IN TRAYS.

PCB NOTES:


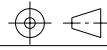
7. ALL HOLE DIAMETERS ARE FINISHED HOLE SIZE.

8 MOUNTING HOLES, WHERE APPLICABLE, ARE UNPLATED.

9 $\varnothing .0453 \pm .0010$ [1.151±0.025] DRILLED HOLES PLATED WITH
.0003 [0.008] MIN SnPb OVER .001 [0.03]
TO .003 [0.08] Cu PLATING TO ACHIEVE
 $\varnothing .040 \pm .003$ [1.02±.07] HOLE.

10 "DIM XXX" TO BE DETERMINED BY THE CUSTOMER.

11 CONNECTOR KEEP-OUT ZONE.

mat'l code				SEE NOTE 2		tolerances unless otherwise specified		CUSTOMER		 www.fciconnect.com	
ltr	ecr no.	dr	date	linear	.XX±.01/0.X±0.3		COPY		title		
B					.XXX±.005/0.XX±0.13		projection		4P + 32S + 4P		
					.XXX±.0020/0.XXX±0.051				VERTICAL PRESS-FIT RECEPT		
				angles	0° ± 2°		INCH/MM		product family		code
				dr	T. BRUNGARD	08/15/03	scale		PwrBlade		213
				engr	M. MOSTOLLER	08/15/03	1:1		size		sheet
				chr	M. MOSTOLLER	08/15/03			A		4 of 4
				appd	M. MOSTOLLER	08/15/03			51750-050		
sheet index		revision sheet									

cage code 22526

Pro/E

PDM: Rev:B

STATUS: Released

Printed: Dec 20, 2010